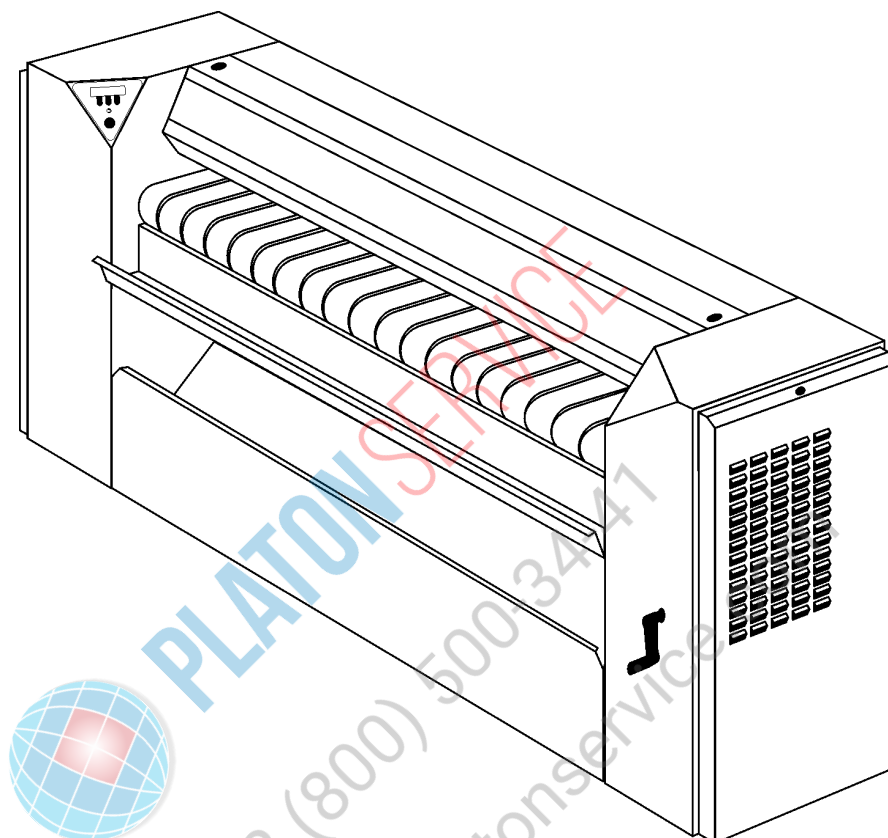


Spare Parts Catalogue

Catalogue de pièces de rechange



IC4 4819-4832

Ironer

Sécheuse repasseuse

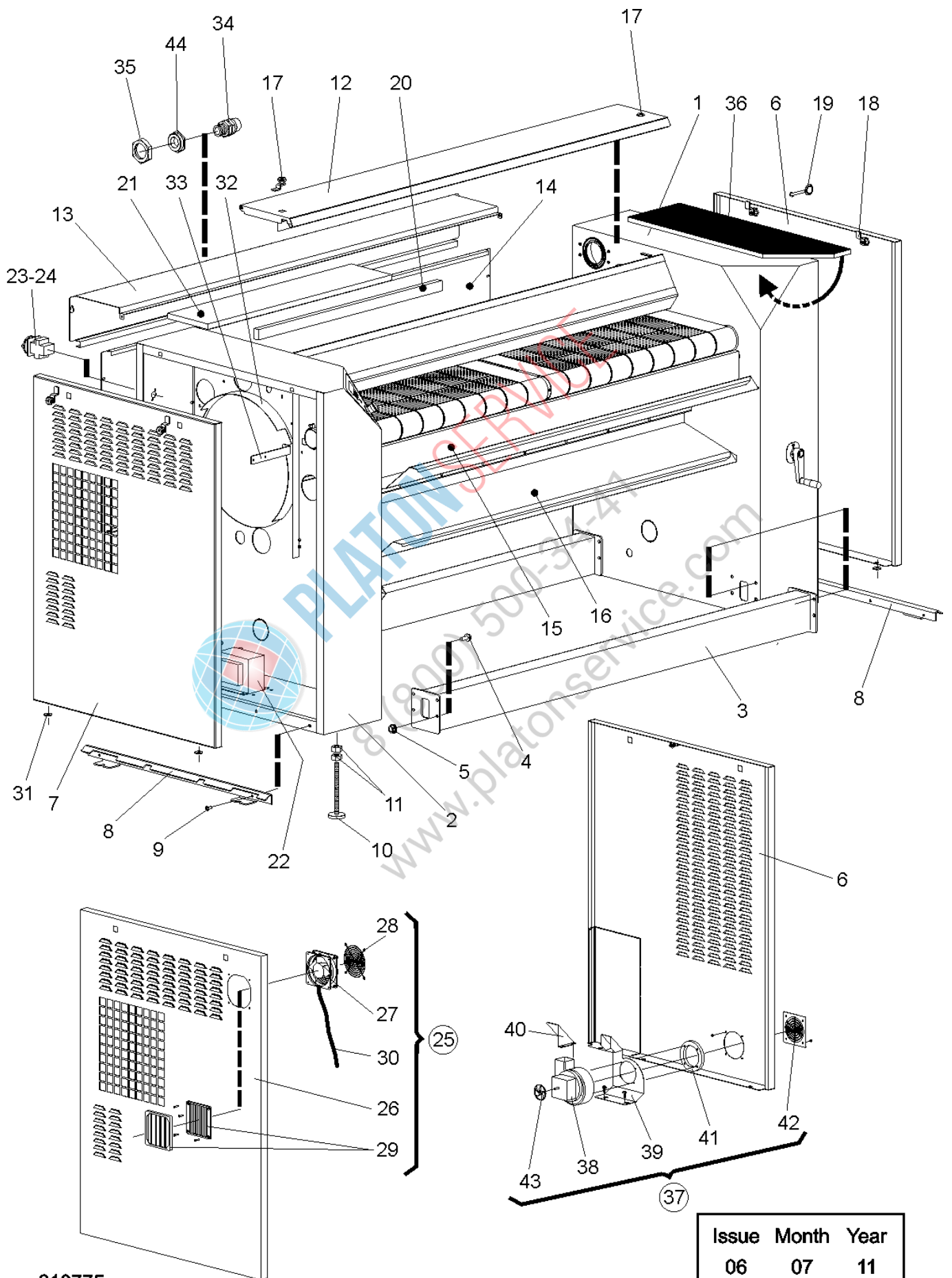
List of issues

IC44819,IC44821,IC44825,IC44828,IC44832

Illustration	Page	Table of contents
610587	71	Gas heating - Australia
610737	99	RABC Printer option (machine with DIAMMS)
610765	55	Electrical heating
610766	59	Electric heating with air circulation
610767	81	Control panel
610768	65	Gas heating
610769	85	Electric control plate - gas heating
610770	89	Electric control plate - gas heating - Australia
610771	83	Electric cabinet
610773	95	Electric heating plate
610774	97	Electric heating plate - With air circulation
610775	9	Casing
610776	15	Suction device and ventilation
610777	21	Feeding table
610778	25	Feeding table with suction
610779	49	Back-g geared motor and hand control
610780	61	Vapor suction gas heating
610781	77	Steam heating
610782	43	Motion
610783	37	Cylinders and strips bar
610784	39	DIAMMS Option
610785	33	Satellites
610892	101	CMIS
611027	69	Gas heating
611028	75	Gas heating - Australia
611045	87	Electric control plate - gas heating
611283	47	Motion
611290	57	Electrical heating
611292	51	Back-g geared motor and hand control
611313	91	Electric control plate - gas heating - Australia
611317	93	Electric control plate - gas heating- Latin America
611353	13	Casing
611431	53	Back-g geared motor and hand control
611496	17	Suction device and ventilation
611498	79	Steam heating
611501	27	Sound insulation

IC44819,IC44821,IC44825,IC44828,IC44832

Table of contents	Table des matières	Page/Page
Casing	Carrosserie	9
Casing	Carrosserie	13
Suction device and ventilation	Aspiration et ventilation	15
Suction device and ventilation	Aspiration et ventilation	17
*Feeding table	Table engagement	21
*Feeding table with suction	Table engagement avec aspiration	25
Sound insulation	Isolation phonique	27
*Satellites	Satellites	33
Cylinders and strips bar	Cylindres et barre décolleurs	37
DIAMMS Option	Option DIAMMS	39
Motion	Mouvement	43
Motion	Mouvement	47
Back-gearred motor and hand control	Motoréducteur et commande manuelle	49
Back-gearred motor and hand control	Motoréducteur et commande manuelle	51
Back-gearred motor and hand control	Motoréducteur et commande manuelle	53
Electrical heating	Chauffage électrique	55
Electrical heating	Chauffage électrique	57
Electric heating with air circulation	Chauffage électrique chaleur tournante	59
*Vapor suction gas heating	Aspiration chauffage gaz	61
Gas heating	Chauffage gaz	65
Gas heating	Chauffage gaz	69
Gas heating - Australia	Chauffage gaz - Australie	71
Gas heating - Australia	Chauffage gaz - Australie	75
*Steam heating	Chauffage vapeur	77
Steam heating	Chauffage vapeur	79
Control panel	Plastron de commande	81
Electric cabinet	Armoire électrique	83
Electric control plate - gas heating	Platine électrique - chauffage gaz	85
Electric control plate - gas heating	Platine électrique - chauffage gaz	87
Electric control plate - gas heating - Australia	Platine électrique - chauffage gaz - Australie	89
Electric control plate - gas heating - Australia	Platine électrique - chauffage gaz - Australie	91
Electric control plate - gas heating - Latin America	Platine électrique - chauffage gaz - Amérique Latine	93
Electric heating plate	Platine chauffage électrique	95
Electric heating plate - With air circulation	Platine chauffage électrique - Chaleur tournante	97
RABC Printer option (machine with DIAMMS)	Option RABC Printer (machine avec DIAMMS)	99
CMIS	CMIS	101



610775

IC44819 -13910009,IC44821 -13610026,IC44825 -13710026,IC44828 -13800099,IC44832 -13510007

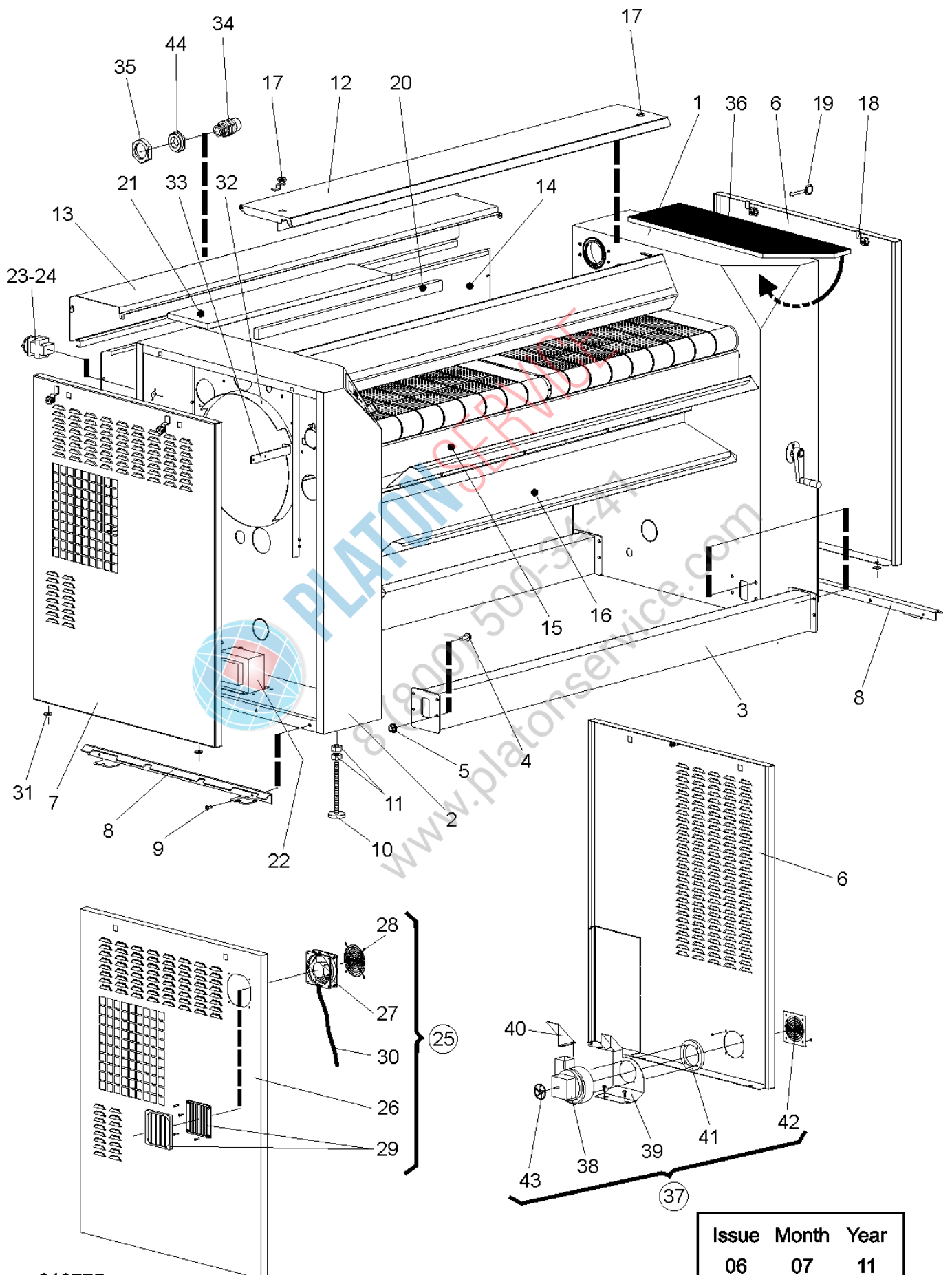
Casing

Illustration Issue Month Year
Schéma Issue Month Year

Carrosserie

610775/5 9 7 2011

Item Article	Quantity Quantité					Art.No Réf. article	Description	Description	Info Info	Notes Remarques
	IC44819									
	IC44821									
	IC44825									
	IC44828									
	IC44832									
1	1	1	1	1	1	32104278	Box	Caisson	3	Right
2	1	1	1	1	1	32104280	Box	Caisson	3	Left
3	2					32103765	Box spar	Longeron	3	
		2				32103764	Box spar	Longeron	3	
			2			32103763	Box spar	Longeron	3	
				2		32103762	Box spar	Longeron	3	
					2	32103761	Box spar	Longeron	3	
4	16	16	16	16	16	74033015	Screw	Vis	3	M10x30
5	16	16	16	16	16	74033204	Cage nut	Ecrou	3	M10
6	1	1	1	1	1	32104433	Side frame	Carter latéral	3	Gas heating -74600012
	1	1	1	1	1	32105231	Side frame	Carter latéral	3	Gas heating 74600013-
	1	1	1	1	1	32104433	Side frame	Carter latéral	3	Steam and electric heating
7	1	1	1	1	1	32103787	Side frame	Carter latéral	3	Gas heating
	1	1	1	1	1	32103786	Side frame	Carter latéral	3	Steam or electric heating
8	2	2	2	2	2	32105906	Handling hook	Crochet de manutention	3	
9	8	8	8	8	8	74033102	Screw	Vis	3	M8x20
10	4	4	4	4	4	74030178	Adjustable foot	Pied de réglage	3	
11	8	8	8	8	8	74021031	Cage nut	Ecrou	3	M14
12	1					32100195	Upper casing	Carter supérieur	3	Steel
	1					55013493	Upper casing Kit	Kit carter supérieur	3	Aluminium Optional
		1				32100194	Upper casing	Carter supérieur	3	Steel
		1				55013492	Upper casing Kit	Kit carter supérieur	3	Aluminium Optional
			1			32100193	Upper casing	Carter supérieur	3	Steel
			1			55013491	Upper casing Kit	Kit carter supérieur	3	Aluminium Optional
				1		32100192	Upper casing	Carter supérieur	3	Steel
				1		55013490	Upper casing Kit	Kit carter supérieur	3	Aluminium Optional
					1	32100191	Upper casing	Carter supérieur	3	Steel
					1	55013489	Upper casing Kit	Kit carter supérieur	3	Aluminium Optional
13	1					32104205	Rear housing	Carter arrière	3	Upper
		1				32104204	Rear housing	Carter arrière	3	Upper
			1			32104203	Rear housing	Carter arrière	3	Upper
				1		32104202	Rear housing	Carter arrière	3	Upper
					1	32104201	Rear housing	Carter arrière	3	Upper
14	1					32104215	Rear housing	Carter arrière	3	Lower
		1				32104214	Rear housing	Carter arrière	3	Lower
			1			32104213	Rear housing	Carter arrière	3	Lower
				1		32104212	Rear housing	Carter arrière	3	Lower
					1	32104211	Rear housing	Carter arrière	3	Lower
15	1					32100305	Feeding vat	Bac engagement	3	
		1				32100304	Feeding vat	Bac engagement	3	
			1			32100303	Feeding vat	Bac engagement	3	
				1		32100302	Feeding vat	Bac engagement	3	
					1	32100301	Feeding vat	Bac engagement	3	
16	1					32104475	Receipt tray	Bac réception	3	
	1					55013498		Kit bac de réception	3	Deep Optional



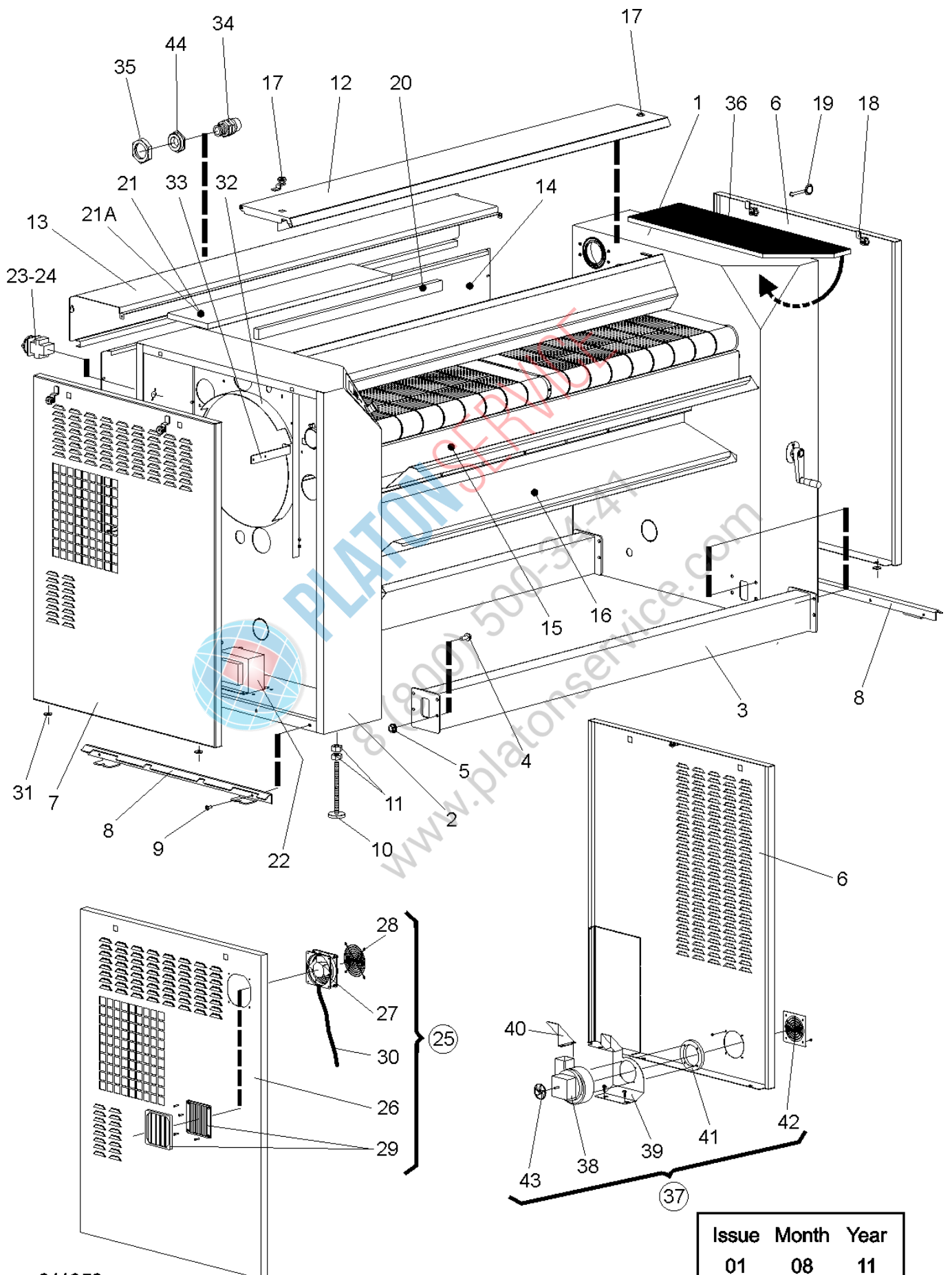
610775

Issue	Month	Year
06	07	11

IC44819 -13910009,IC44821 -13610026,IC44825 -13710026,IC44828 -13800099,IC44832 -13510007

Casing Illustration Issue Month Year
Schéma Issue Month Year
Carrosserie 610775/5 9 7 2011

Item Article	Quantity Quantité		Art.No Réf. article	Description	Description	Info Info	Notes Remarques
	1		IC44819				
	1		IC44821				
	1		IC44825				
	1		IC44828				
	1		IC44832				
	1		32104474	Receipt tray	Bac réception	3	
	1		55013497		Kit bac de réception	3	Deep Optional
	1		32104473	Receipt tray	Bac réception	3	
	1		55013496		Kit bac de réception	3	Deep Optional
	1		32104472	Receipt tray	Bac réception	3	
	1		55013495		Kit bac de réception	3	Deep Optional
	1		32104471	Receipt tray	Bac réception	3	
	1		55013494		Kit bac de réception	3	Deep Optional
17	2	2	74030092	Lock	Serrure	3	L=32mm
18	4	4	74030103	Lock	Serrure	3	L=38mm
19	3	3	74030141	Key	Clé	3	
20	-	-	75011084	Foam	Mousse	3	910x55x20
21	-	-	75011085	Foam	Mousse	3	930x205x20
22	1	1	71021091	Transformer	Transformateur	1,2	1000VA
23	1	1	71054137	Main switch	Interrupteur général	1,2	25A Complete Gas & steam heating
	1	1	71054168	Main switch	Interrupteur général	1,2	63A Complete Electric heating
	1	1	71054135	Main switch	Interrupteur général	1,2	100A Electric heating
24	1	1	71054136	Fender waling	Capot de protection	3	Electric heating
	1	1	71054138	Fender waling	Capot de protection	3	Gas & steam heating
25	1	1	55012466	Ventilation kit	Kit ventilation	1,2	Complete Gas heating
	1	1	55013019	Ventilation kit	Kit ventilation	1,2	Complete Steam or electric heating
26	1	1		•Side frame	•Carter latéral	3	Left
27	1	1		•Cooler fan	•Ventilateur	1,2	
28	1	1		•Protective grid	•Grille de protection	3	
29	1	1		•Grid	•Grille	3	Outside
30	1	1		•Cable set	•Toron	3	
31	4	4	75015105	Grommet	Passe-fil	3	Ø14
32	2	2	73016166	Insulator	Isolant	3	
33	1	1	32104156	Suction pipe socket	Support de tuyau d'aspiration	3	
34	1	1	71079034	Cable fitting	Presse étoupe	3	Ø16/21 Gas & steam heating
	1	1	71079035	Cable fitting	Presse étoupe	3	Ø29/36 Electric heating
35	1	1	71079012	Locking nut	Contre-écrou	3	Ø29
36	1	1	32104190	Insulator	Isolant	1,2	Gas heating
37	1	1	55013731	Ventilation kit	Kit ventilation	1,2	Complete Gas heating 74600013-
38	1	1	56000193	•Fan replacement kit	•Kit remplacement ventilateur	1,2	
39	1	1	32105709	••Fan support	••Support ventilateur	3	
40	1	1	32105228	•Deflector	•Déflecteur	3	-00310010
41	1	1	75011103	•Joint gasket	•Anneau étanchéité	1,2	
42	1	1	32105230	•Grid	•Grille	3	
43	1	1	71020091	•Fan blade	•Hélice de ventilateur	1,2	
44	1	1	71079078	Reduction	Réduction	3	Ø29/16



IC44819 13910010-,IC44821 13610027-,IC44825 13710027-,IC44828 13810001-,IC44832 13510008-

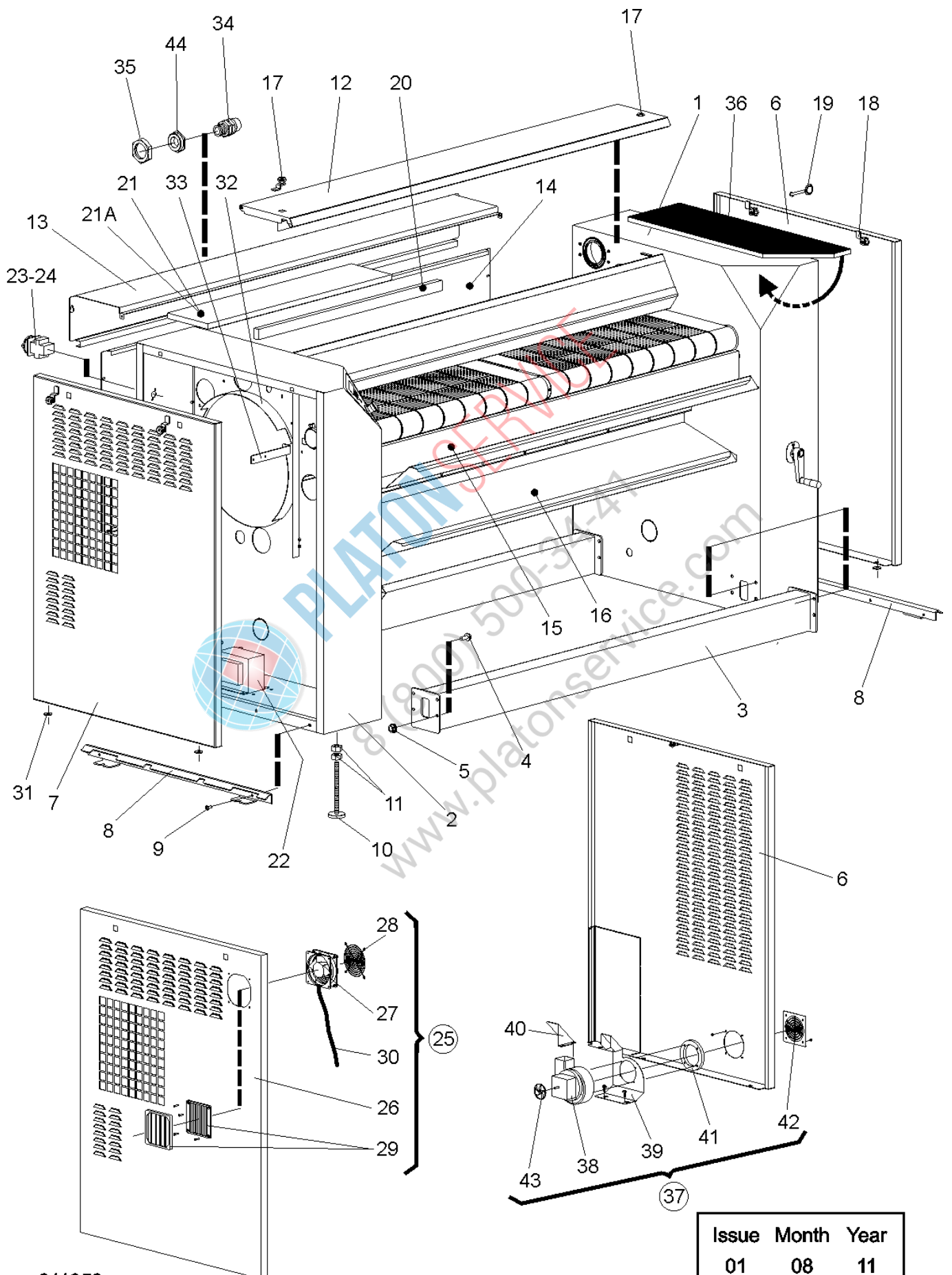
Casing

Illustration Issue Month Year
Schéma Issue Month Year

Carrosserie

611353/1 1 8 2011

Item Article	Quantity Quantité					Art.No Réf. article	Description	Description	Info Info	Notes Remarques
	IC44819									
	IC44821									
	IC44825									
	IC44828									
	IC44832									
1	1	1	1	1	1	32104278	Box	Caisson	3	Right
2	1	1	1	1	1	32104280	Box	Caisson	3	Left
3	2					32103765	Box spar	Longeron	3	
		2				32103764	Box spar	Longeron	3	
			2			32103763	Box spar	Longeron	3	
				2		32103762	Box spar	Longeron	3	
					2	32103761	Box spar	Longeron	3	
4	16	16	16	16	16	74033015	Screw	Vis	3	M10x30
5	16	16	16	16	16	74033204	Cage nut	Ecrou	3	M10
6	1	1	1	1	1	32105231	Side frame	Carter latéral	3	Gas heating
	1	1	1	1	1	32104433	Side frame	Carter latéral	3	Steam and electric heating
7	1	1	1	1	1	32103787	Side frame	Carter latéral	3	Gas heating
	1	1	1	1	1	32103786	Side frame	Carter latéral	3	Steam or electric heating
8	2	2	2	2	2	32105906	Handling hook	Crochet de manutention	3	
9	8	8	8	8	8	74033102	Screw	Vis	3	M8x20
10	4	4	4	4	4	74030178	Adjustable foot	Pied de réglage	3	
11	8	8	8	8	8	74021031	Cage nut	Ecrou	3	M14
12	1					32106055	Upper casing	Carter supérieur	3	Aluminium
		1				32106054	Upper casing	Carter supérieur	3	Aluminium
			1			32106053	Upper casing	Carter supérieur	3	Aluminium
				1		32106052	Upper casing	Carter supérieur	3	Aluminium
					1	32106051	Upper casing	Carter supérieur	3	Aluminium
13	1					32106065	Rear housing	Carter arrière	3	Upper
		1				32106064	Rear housing	Carter arrière	3	Upper
			1			32106063	Rear housing	Carter arrière	3	Upper
				1		32106062	Rear housing	Carter arrière	3	Upper
14	1				1	32106061	Rear housing	Carter arrière	3	Upper
		1				32104215	Rear housing	Carter arrière	3	Lower
			1			32104214	Rear housing	Carter arrière	3	Lower
				1		32104213	Rear housing	Carter arrière	3	Lower
					1	32104212	Rear housing	Carter arrière	3	Lower
15	1					32104211	Rear housing	Carter arrière	3	Lower
		1				32100305	Feeding vat	Bac engagement	3	
			1			32100304	Feeding vat	Bac engagement	3	
				1		32100303	Feeding vat	Bac engagement	3	
					1	32100302	Feeding vat	Bac engagement	3	
16	1					32100301	Feeding vat	Bac engagement	3	
	1					32104475	Receipt tray	Bac réception	3	
		1				55013498	Receipt tray	Kit bac de réception	3	Deep Optional
			1			32104474	Receipt tray	Bac réception	3	
				1		55013497	Receipt tray	Kit bac de réception	3	Deep Optional
					1	32104473	Receipt tray	Bac réception	3	
					1	55013496	Receipt tray	Kit bac de réception	3	Deep Optional
					1	32104472	Receipt tray	Bac réception	3	
					1	55013495	Receipt tray	Kit bac de réception	3	Deep Optional
					1	32104471	Receipt tray	Bac réception	3	
					1	55013494	Receipt tray	Kit bac de réception	3	Deep Optional
17	2	2	2	2	2	74030092	Lock	Serrure	3	L=32mm
18	4	4	4	4	4	74030103	Lock	Serrure	3	L=38mm
19	3	3	3	3	3	74030141	Key	Clé	3	
20	3	3	3	4	4	75011084	Foam	Mousse	3	910x55x20
21	3	3	3	4	4	75011110	Foam	Mousse	3	930x260x20

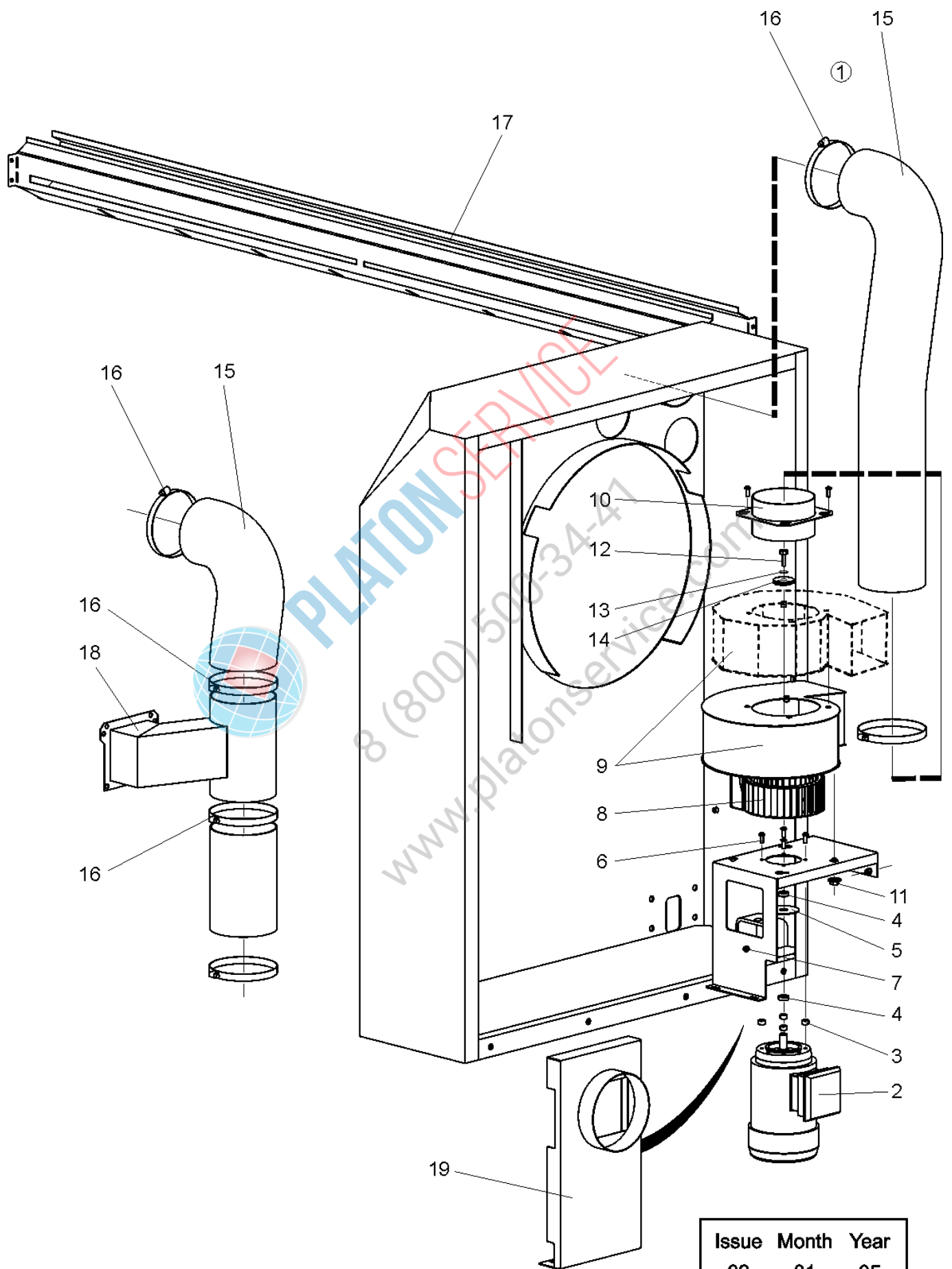


611353

Issue	Month	Year
01	08	11

IC44819 13910010-,IC44821 13610027-,IC44825 13710027-,IC44828 13810001-,IC44832 13510008-
Casing Illustration Issue Month Year
 Schéma Issue Month Year
Carrosserie 611353/1 1 8 2011

Item Article	Quantity Quantité					Art.No Réf. article	Description	Description	Info Info	Notes Remarques
	IC44819									
	IC44821									
	IC44825									
	IC44828									
	IC44832									
21A	3	3	3	4	4	75011111	Foam	Mousse	3	930x150x20
22	1	1	1	1	1	71021091	Transformer	Transformateur	1,2	1000VA
23	1	1	1	1	1	71054137	Main switch	Interrupteur général	1,2	25A Complete Gas & steam heating
	1	1				71054168	Main switch	Interrupteur général	1,2	63A Complete Electric heating
			1	1	1	71054135	Main switch	Interrupteur général	1,2	100A Electric heating
24	1	1	1	1	1	71054136	Fender waling	Capot de protection	3	Electric heating
	1	1	1	1	1	71054138	Fender waling	Capot de protection	3	Gas & steam heating
25	1	1	1	1	1	55012466	Ventilation kit	Kit ventilation	1,2	Complete Gas heating
	1	1	1	1	1	55013019	Ventilation kit	Kit ventilation	1,2	Complete Steam or electric heating
26	1	1	1	1	1		•Side frame	•Carter latéral	3	Left
27	1	1	1	1	1		•Cooler fan	•Ventilateur	1,2	
28	1	1	1	1	1		•Protective grid	•Grille de protection	3	
29	1	1	1	1	1		•Grid	•Grille	3	Outside
30	1	1	1	1	1		•Cable set	•Toron	3	
31	4	4	4	4	4	75015105	Grommet	Passe-fil	3	Ø14
32	2	2	2	2	2	73016166	Insulator	Isolant	3	
33	1	1	1	2	2	32104156	Suction pipe socket	Support de tuyau d'aspiration	3	
34	1	1	1	1	1	71079034	Cable fitting	Presse étoupe	3	Ø16/21 Gas & steam heating
	1	1	1	1	1	71079035	Cable fitting	Presse étoupe	3	Ø29/36 Electric heating
35	1	1	1	1	1	71079012	Locking nut	Contre-écrou	3	Ø29
36	1	1	1	1	1	32104190	Insulator	Isolant	1,2	Gas heating
37	1	1	1	1	1	55013731	Ventilation kit	Kit ventilation	1,2	Complete Gas heating
38	1	1	1	1	1	56000193	•Fan replacement kit	•Kit remplacement ventilateur	1,2	
39	1	1	1	1	1	32105709	••Fan support	••Support ventilateur	3	
40	1	1	1	1	1	32105228	•Deflector	•Déflecteur	3	
41	1	1	1	1	1	75011103	•Joint gasket	•Anneau étanchéité	1,2	
42	1	1	1	1	1	32105230	•Grid	•Grille	3	
43	1	1	1	1	1	71020091	•Fan blade	•Hélice de ventilateur	1,2	
44	1	1	1	1	1	71079078	Reduction	Réduction	3	Ø29/16



Issue	Month	Year
02	01	05

IC44819 -44010002,IC44821 -44010002,IC44825 -44010002,IC44828 -44010002,IC44832 -44010002

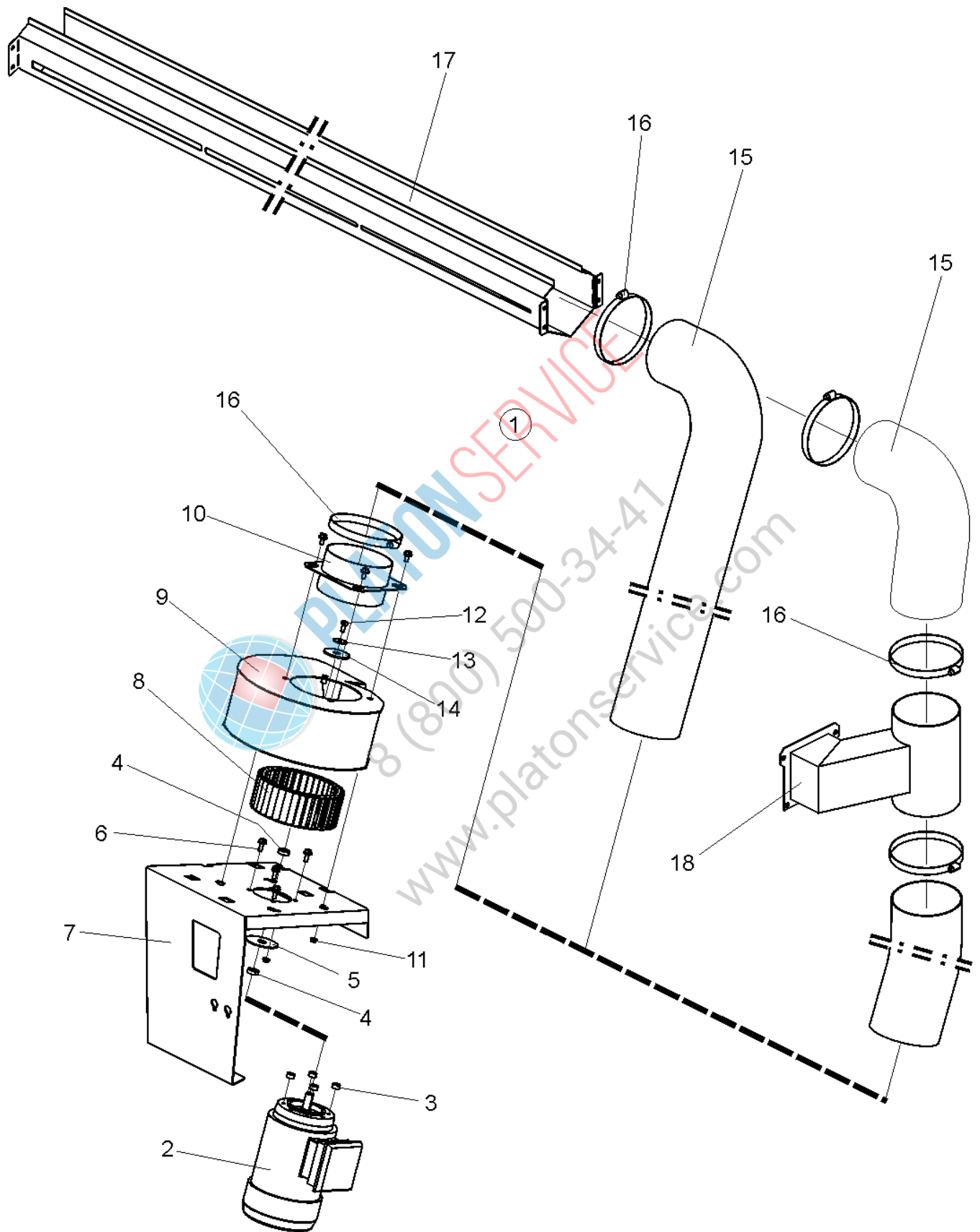
Suction device and ventilation

Illustration Issue Month Year
Schéma Issue Month Year

Aspiration et ventilation

610776/1 3 1 2005

Item Article	Quantity Quantité					Art.No Réf. article	Description	Description	Info Info	Notes Remarques
	IC44819									
	IC44821									
	IC44825									
	IC44828									
	IC44832									
1	1	1	1	1	1	55012310	Cooler fan	Ventilateur	3	Complete -44800029
	1	1	1	1	1	55012490	Cooler fan	Ventilateur	3	Complete 44800030-
2	1	1	1	1	1	71014090	•Motor	•Moteur	1,2	0.37kW
3	4	4	4	4	4	32100145	•Locking spacer	•Entretoise de blocage	3	
4	2	2	2	2	2	32100148	•Spacer	•Entretoise	3	
5	1	1	1	1	1	32100147	•Ventilation disk	•Disque de ventilation	3	
6	8	8	8	8	8	74033101	•Screw	•Vis	3	M6x16
7	1	1	1	1	1	32104296	•Motor bracket	•Support moteur	3	-44800029
	1	1	1	1	1	32104431	•Motor bracket	•Support moteur	3	44800030-
8	1	1	1	1	1	71020054	•Turbine	•Turbine	3	
9	1	1	1	1	1	32101362	•Spiral	•Volute	3	-44800029
	1	1	1	1	1	32104438	•Spiral	•Volute	3	44800030-
10	1	1	1	1	1	32101823	•Nozzle	•Buse	3	
11	4	4	4	4	4	74033202	•Cage nut	•Ecrou	1,2	M6
12	1	1	1	1	1	74010001	•Screw	•Vis	3	M5x20
13	1	1	1	1	1	74036403	•Washer	•Rondelle	3	Ø5
14	2	2	2	2	2	74036806	•Washer	•Rondelle	3	Ø5x30
15	1	1	1	1	1	74031039	Extensible hose	Tuyau extensible	3	Ø125
16	2-4	2-4	2-4	2-4	2-4	72046144	Cramp	Collier	3	Ø120/140
17	1					32104375	Vapour suction tube	Tube aspiration des buées	3	
		1				32104374	Vapour suction tube	Tube aspiration des buées	3	
			1			32104373	Vapour suction tube	Tube aspiration des buées	3	
				1		32104372	Vapour suction tube	Tube aspiration des buées	3	
					1	32104371	Vapour suction tube	Tube aspiration des buées	3	
18	1	1	1	1	1	32103504	Tee-square	Té	3	Gas heating
19	1	1	1	1	1	55014200	Lateral drain of vapour kit	Kit évacuation latérale buées	3	Optional Side output



IC44819 44010003-,IC44821 44010003-,IC44825 44010003-,IC44828 44010003-,IC44832 44010003-

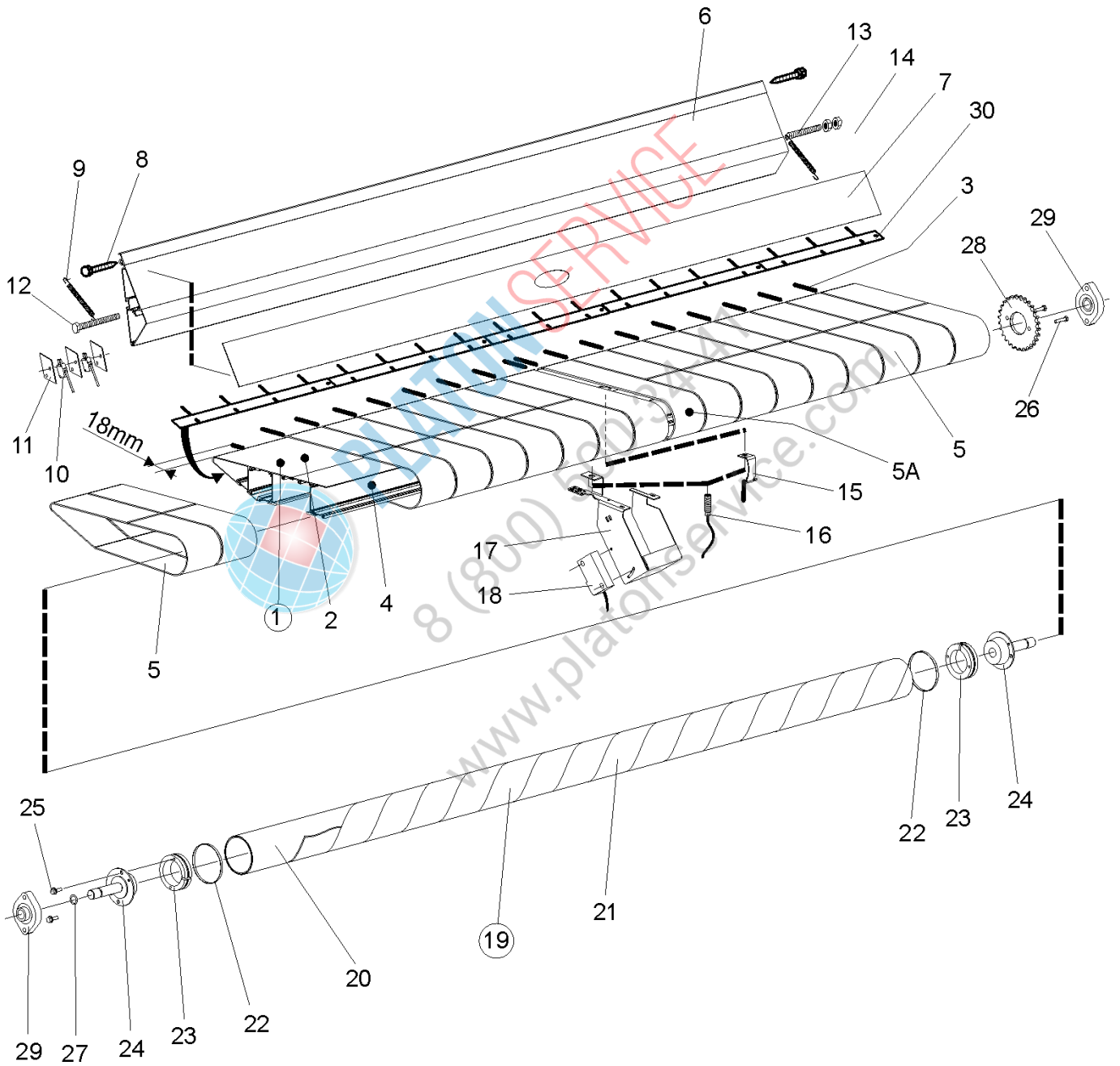
Suction device and ventilation

Illustration Issue Month Year
Schéma Issue Month Year

Aspiration et ventilation

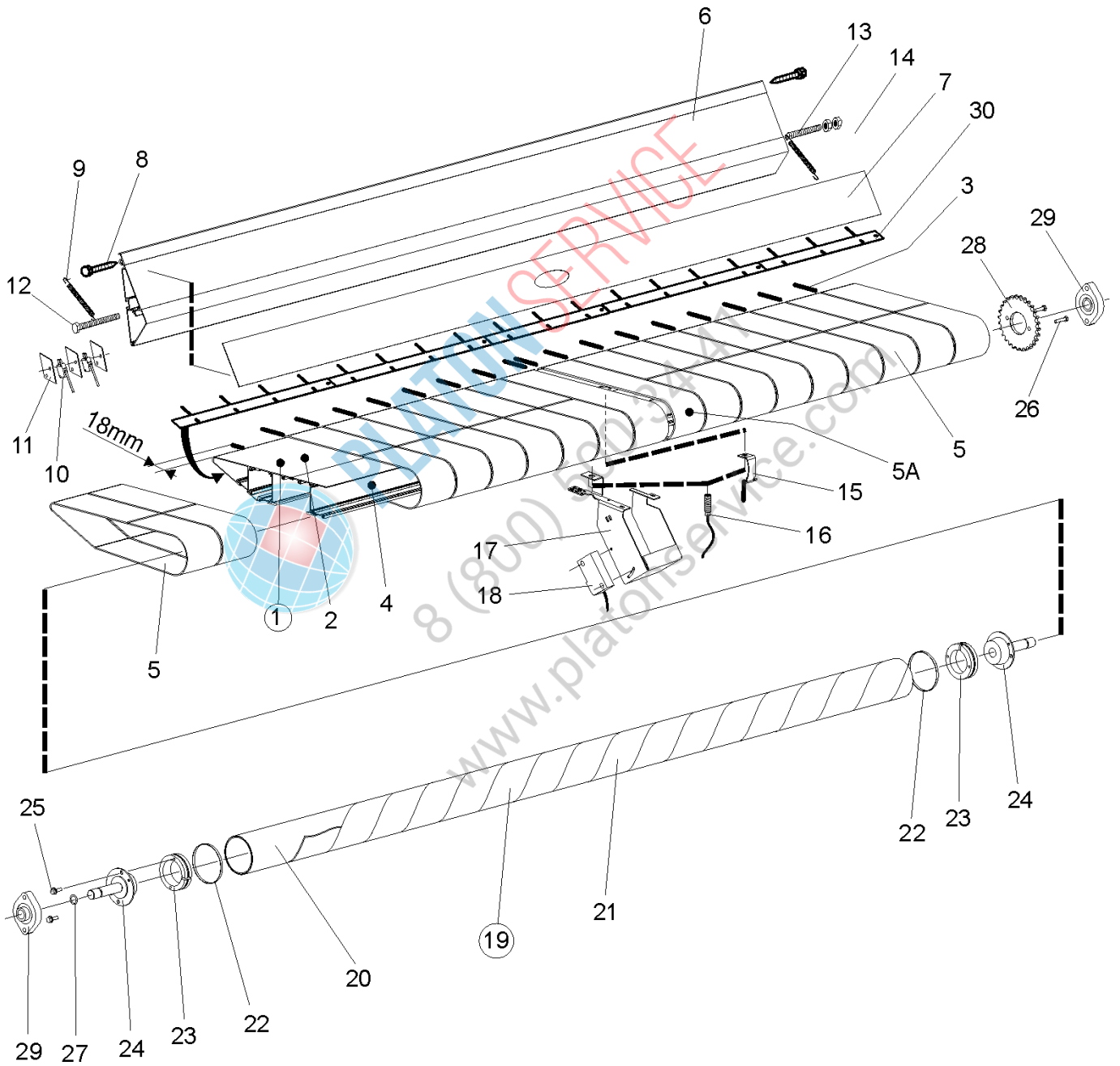
611496/1 1 10 2014

Item Article	Quantity Quantité					Art.No Réf. article	Description	Description	Info Info	Notes Remarques
	IC44819									
	IC44821									
	IC44825									
	IC44828									
	IC44832									
1	1	1	1	1	1	55014577	Cooler fan	Ventilateur	3	Complete
2	1	1	1	1	1	71014090	•Motor	•Moteur	1,2	0.37kW
3	4	4	4	4	4	32100145	•Locking spacer	•Entretoise de blocage	3	
4	2	2	2	2	2	32100148	•Spacer	•Entretoise	3	
5	1	1	1	1	1	32100147	•Ventilation disk	•Disque de ventilation	3	
6	4	4	4	4	4	74033101	•Screw	•Vis	3	M6x16
7	1	1	1	1	1	32106167	•Motor bracket	•Support moteur	3	
8	1	1	1	1	1	71020054	•Turbine	•Turbine	3	
9	1	1	1	1	1	32106196	•Spiral	•Volute	3	
10	1	1	1	1	1	32101823	•Nozzle	•Buse	3	
11	4	4	4	4	4	74033202	•Cage nut	•Ecrou	1,2	M6
12	1	1	1	1	1	74010001	•Screw	•Vis	3	M5x20
13	1	1	1	1	1	74036403	•Washer	•Rondelle	3	Ø5
14	2	2	2	2	2	74036806	•Washer	•Rondelle	3	Ø5x30
15	1	1	1	1	1	74031039	Extensible hose	Tuyau extensible	3	Ø125
16	2-4	2-4	2-4	2-4	2-4	72046144	Cramp	Collier	3	Ø120/140
17	1					32104375	Vapour suction tube	Tube aspiration des buées	3	
		1				32104374	Vapour suction tube	Tube aspiration des buées	3	
			1			32104373	Vapour suction tube	Tube aspiration des buées	3	
				1		32104372	Vapour suction tube	Tube aspiration des buées	3	
				1		32104371	Vapour suction tube	Tube aspiration des buées	3	
18	1	1	1	1	1	32103504	Tee-square	Té	3	Gas heating



610777

Issue	Month	Year
03	05	06



610777

Issue	Month	Year
03	05	06

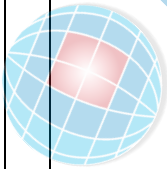
IC44819,IC44821,IC44825,IC44828,IC44832

Feeding table

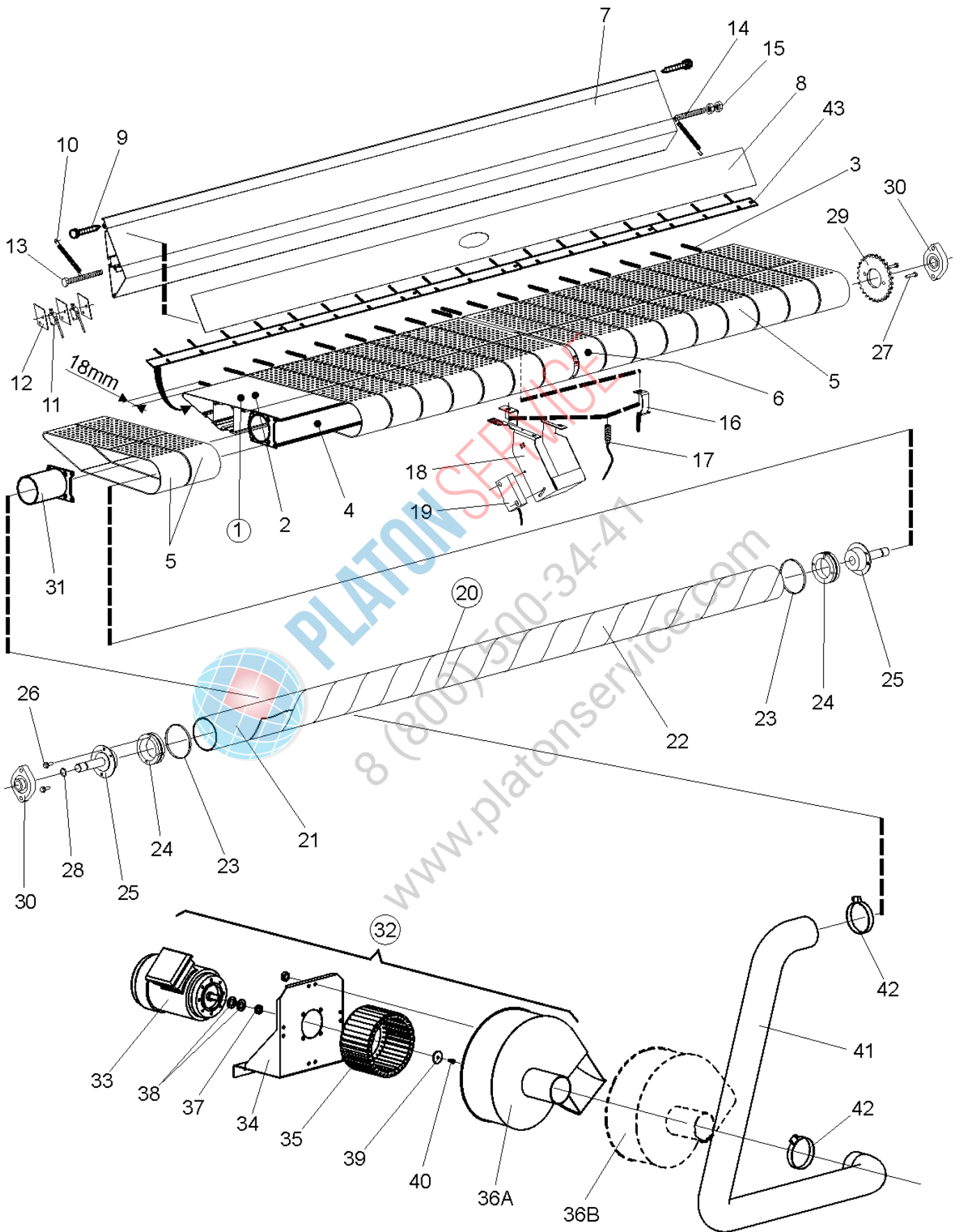
Table engagement

Illustration Issue Month Year
Schéma Issue Month Year
610777/1 3 5 2006

Item Article	Quantity Quantité					Art.No Réf. article	Description	Description	Info Info	Notes Remarques
	IC44819									
	IC44821									
	IC44825									
	IC44828									
	IC44832									
21	11	12	14	15	17	77010002100	•Adhesive strip	•Bande adhésive	3	L=100m
22	2	2	2	2	2	72046158	•Clamp	•Collier de serrage	3	
23	2	2	2	2	2	32100021	•Cone	•Cône	3	
* 24	2	2	2	2	2	56000341	•Satellite tail shaft kit	•Kit embout arbre satellite	3	
25	2	2	2	2	2	74033003	•Screw	•Vis	3	M6x20
26	2	2	2	2	2	74020030	•Screw	•Vis	3	M6x30
27	1	1	1	1	1	73016189	•O-ring	•Joint torique	3	Ø15
28	1	1	1	1	1	32104347	•Disc	•Disque	3	28 teeth
29	2	2	2	2	2	73010080	Bearing box	Palier	3	
30	1					55012958	Band guide kit	Kit guide bandes	1,2	Complete Optional
		1				55012957	Band guide kit	Kit guide bandes	1,2	Complete Optional
			1			55012956	Band guide kit	Kit guide bandes	1,2	Complete Optional
				1		55012955	Band guide kit	Kit guide bandes	1,2	Complete Optional
					1	55012954	Band guide kit	Kit guide bandes	1,2	Complete Optional



PLATON SERVICE
8 (800) 500-34-1111
www.platonservice.com



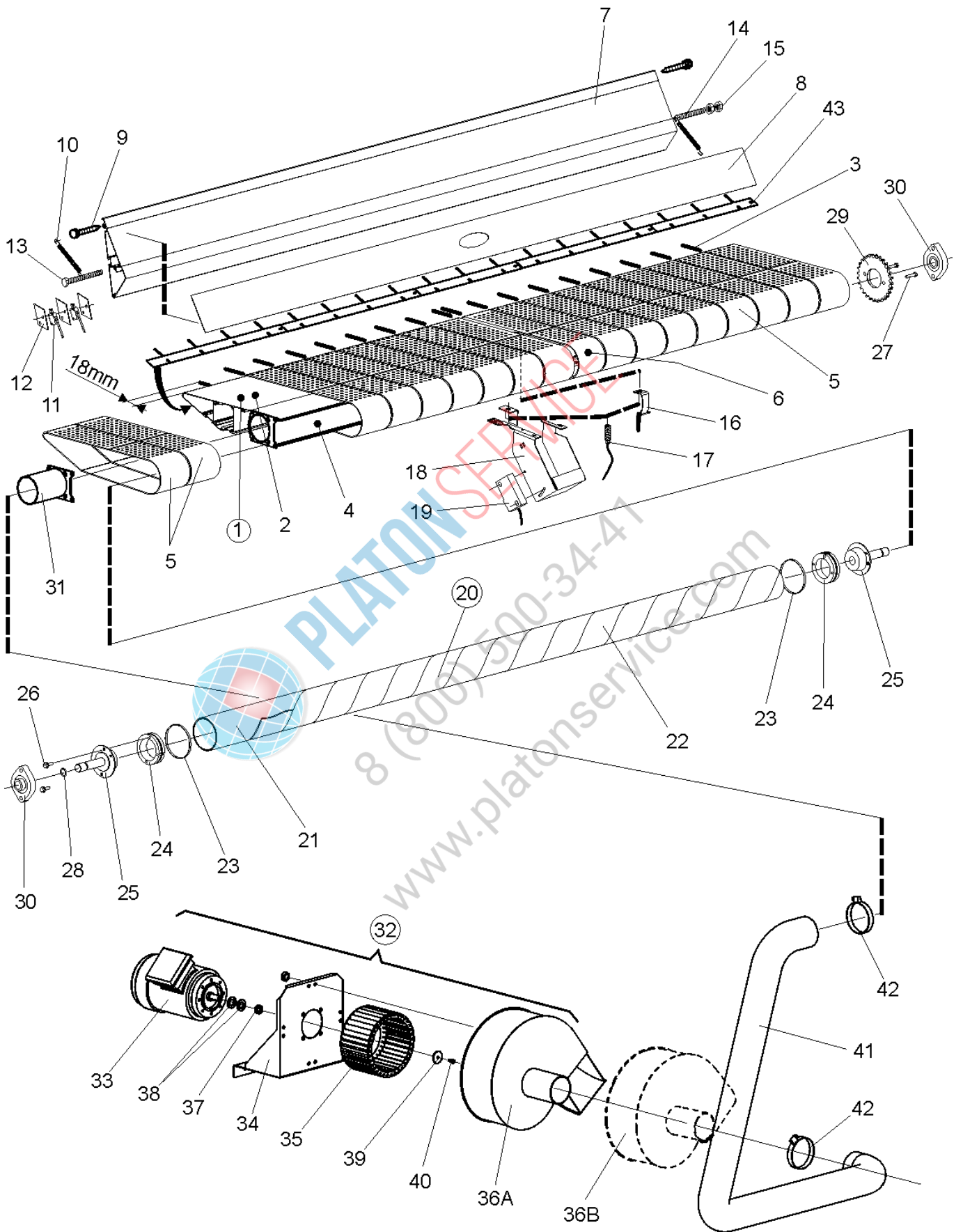
IC44819,IC44821,IC44825,IC44828,IC44832

Feeding table with suction

Table engagement avec aspiration

Illustration Issue Month Year
Schéma Issue Month Year
610778/4 7 4 2011

Item Article	Quantity Quantité	Art.No Réf. article	Description	Description	Info Info	Notes Remarques
		IC44819				
		IC44821				
		IC44825				
		IC44828				
		IC44832				
1	1	32100675	Feeding table	Table engagement	3	Complete
	1	32100674	Feeding table	Table engagement	3	Complete
	1	32100673	Feeding table	Table engagement	3	Complete
	1	32100672	Feeding table	Table engagement	3	Complete
	1	32100671	Feeding table	Table engagement	3	Complete
2	1	•Feeding table	•Feeding table	•Table engagement	3	
	1	•Feeding table	•Feeding table	•Table engagement	3	
	1	•Feeding table	•Feeding table	•Table engagement	3	
	1	•Feeding table	•Feeding table	•Table engagement	3	
	1	•Feeding table	•Feeding table	•Table engagement	3	
3	18	74023105	•Pin	•Goupille	3	Ø3x30
4	20	32102825	Vacuum feeding table	Table aspirante	3	
	24	32102824	Vacuum feeding table	Table aspirante	3	
	26	32102823	Vacuum feeding table	Table aspirante	3	
	30	32102822	Vacuum feeding table	Table aspirante	3	
	1	32102821	Vacuum feeding table	Table aspirante	3	
5	17	77010252	Feeding strip	Bande engagement	1,2	
6	19	77010308	Feeding strip	Bande engagement	1,2	L=90mm
7	23	32100605	Mobile feeding protector	Protecteur mobile engagement	3	
	25	32100604	Mobile feeding protector	Protecteur mobile engagement	3	
	29	32100603	Mobile feeding protector	Protecteur mobile engagement	3	
	1	32100602	Mobile feeding protector	Protecteur mobile engagement	3	
	1	32100601	Mobile feeding protector	Protecteur mobile engagement	3	
8	1	32102345	Upper side casing	Bandeau façade	3	
	1	32102344	Upper side casing	Bandeau façade	3	
	1	32102343	Upper side casing	Bandeau façade	3	
	1	32102342	Upper side casing	Bandeau façade	3	
	1	32102341	Upper side casing	Bandeau façade	3	
9	2	74020234	Screw	Vis	3	M8x25
10	2	32101296	Return spring	Ressort de rappel	3	
11	2	71054151	Micro-switch	Microswitch	1,2	
12	3	71078020	End plate	Plaque isolante	3	
13	1	74020054	Screw	Vis	3	M6x50
14	1	32100964	Threaded bar	Tige filetée	3	M6x70
15	2	74033202	Cage nut	Ecrou	3	M6
16	1	71050189	Photocell	Cellule photoélectrique	1,2	
17	1	32103644	Photocell	Cellule photoélectrique	1,2	
18	1	32104407	Cells support	Support cellules	3	With folding only
19	1	71050188	Photocell	Cellule photoélectrique	1,2	
20	1	55012405	Feeding satellite	Satellite engagement	3	Complete
	1	55012404	Feeding satellite	Satellite engagement	3	Complete
	1	55012403	Feeding satellite	Satellite engagement	3	Complete
	1	55012402	Feeding satellite	Satellite engagement	3	Complete
	1	55012401	Feeding satellite	Satellite engagement	3	Complete
21	1	32100065	Pipe	Tube	3	
	1	32100064	Pipe	Tube	3	
	1	32100063	Pipe	Tube	3	
	1	32100062	Pipe	Tube	3	
	1	32100061	Pipe	Tube	3	



610778

Issue	Month	Year
06	04	11

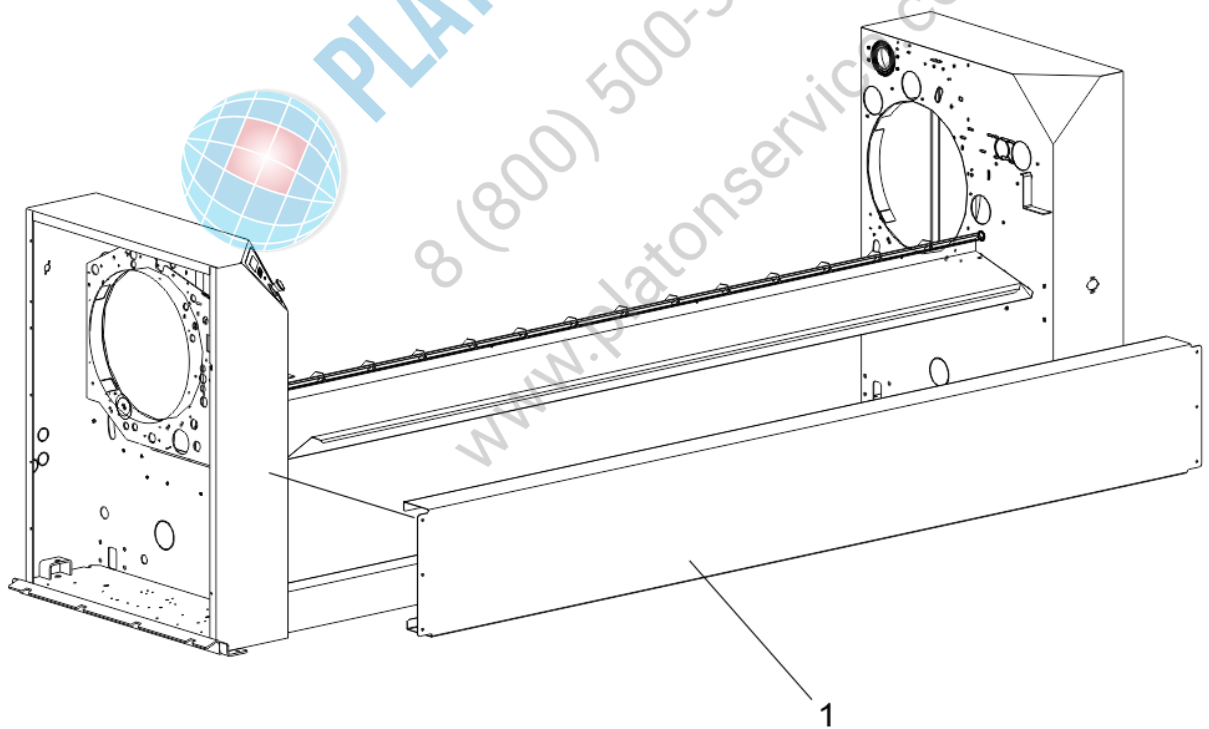
IC44819,IC44821,IC44825,IC44828,IC44832

Feeding table with suction

Table engagement avec aspiration

Illustration Issue Month Year
Schéma Issue Month Year
610778/4 7 4 2011

Item Article	Quantity Quantité					Art.No Réf. article	Description	Description	Info Info	Notes Remarques
	IC44819									
	IC44821									
	IC44825									
	IC44828									
	IC44832									
22	11	12	14	15	17	77010002100	Adhesive strip	Bande adhésive	3	L=100m
23	2	2	2	2	2	72046158	Clamp	Collier de serrage	3	
24	2	2	2	2	2	32100021	Cone	Cône	3	
* 25	2	2	2	2	2	56000341	Satellite tail shaft kit	Kit embout arbre satellite	3	
26	2	2	2	2	2	74033003	Screw	Vis	3	M6x20
27	2	2	2	2	2	74020030	Screw	Vis	3	M6x30
28	1	1	1	1	1	73016189	O-ring	Joint torique	3	Ø15
29	1	1	1	1	1	32104347	Disc	Disque	3	28 teeth
30	2	2	2	2	2	73010080	Bearing box	Palier	3	
31	1	1	1	2	2	32102798	Flange	Bride	3	
* 32	1	1	1	2	2	55012183	Suction table turbine	Turbine table aspiration	3	Front outlet Complete
*	1	1	1	2	2	55014804	Suction table turbine	Turbine table aspiration	3	Rear outlet Complete
33	1	1	1	1	1	71014090	•Motor	•Moteur	1,2	0.37kW
34	1	1	1	1	1	32102777	•Rail	•Support	3	
35	1	1	1	1	1	71020060	•Turbine	•Turbine	3	
* 36A	1	1	1	1	1	32102819	•Spiral	•Volute	3	Front outlet
* 36B	1	1	1	1	1	32106287	•Spiral	•Volute	3	Rear outlet
37	1	1	1	1	1	32100148	•Spacer	•Entretoise	3	
38	2	2	2	2	2	74036011	•Washer	•Rondelle	3	Ø14
39	1	1	1	1	1	74036806	•Washer	•Rondelle	3	Ø5x30
40	1	1	1	1	1	74020080	•Screw	•Vis	3	M5x12
41	3	3	3	3	5	75015195	Hose	Tuyau flexible	3	Ø75 mm
42	2	2	2	2	4	72046162	Cramp	Collier	3	Ø70/90
43	1					55012958	Band guide kit	Kit guide bandes	1,2	Complete Optional
		1				55012957	Band guide kit	Kit guide bandes	1,2	Complete Optional
			1			55012956	Band guide kit	Kit guide bandes	1,2	Complete Optional
				1		55012955	Band guide kit	Kit guide bandes	1,2	Complete Optional
					1	55012954	Band guide kit	Kit guide bandes	1,2	Complete Optional



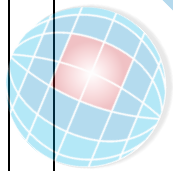
IC44819,IC44821,IC44825,IC44828,IC44832

Sound insulation

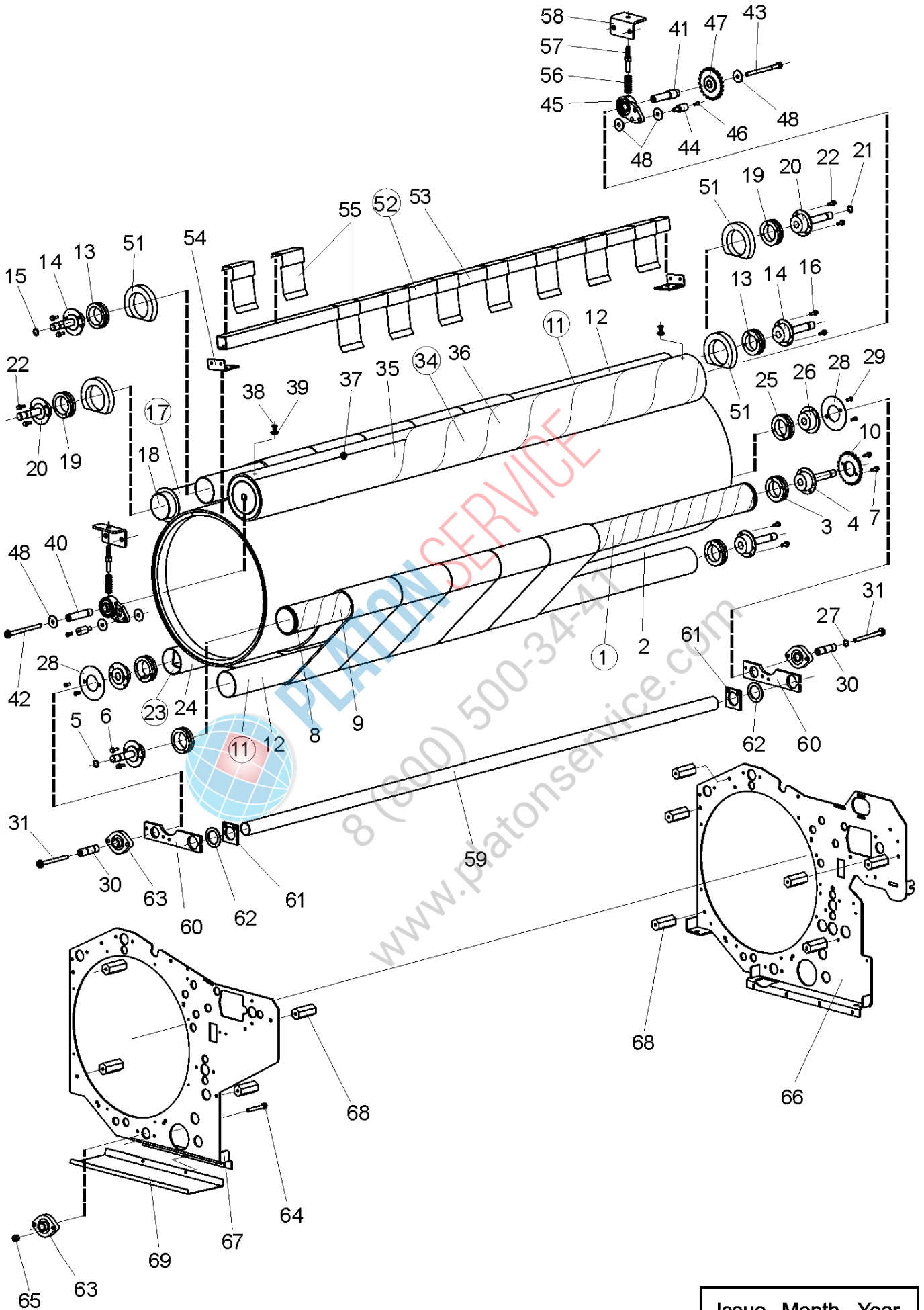
Isolation phonique

Illustration Issue Month Year
Schéma Issue Month Year
611501/1 1 10 2014

Item Article	Quantity Quantité	Art.No Réf. article	Description	Description	Info Info	Notes Remarques
1	1	IC44819				
		1	IC44821			
		1	IC44825			
		1	IC44828			
		1	IC44832			
		1	32106325	Front housing	Carter avant	3
		32106324	Front housing	Carter avant	3	
		32106323	Front housing	Carter avant	3	
		32106322	Front housing	Carter avant	3	
		32106321	Front housing	Carter avant	3	



PLATON SERVICE
8 (800) 500-34-47
www.platonservice.com



610785

Issue	Month	Year
02	10	06

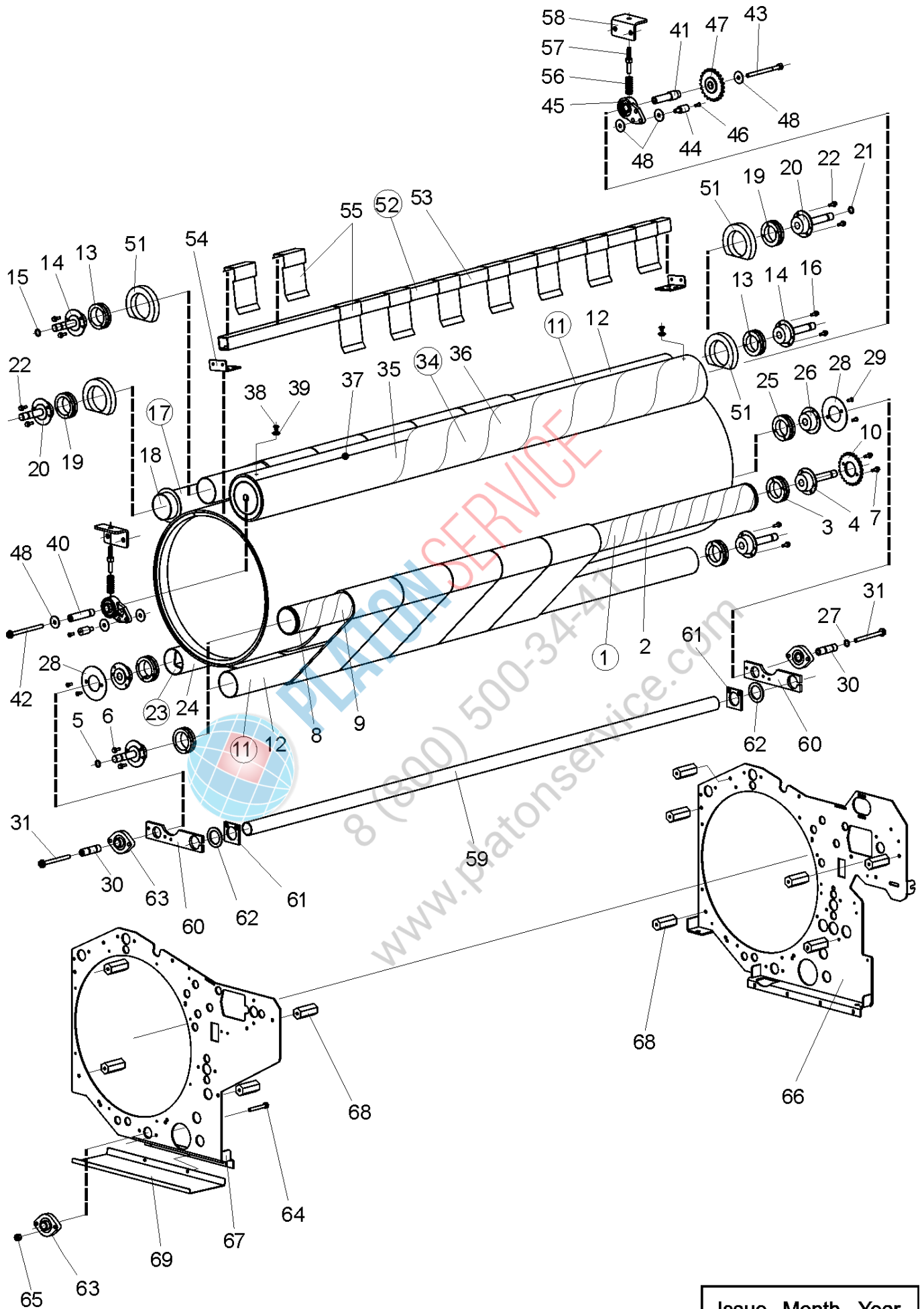
IC44819,IC44821,IC44825,IC44828,IC44832

Satellites

Illustration Issue Month Year
Schéma Issue Month Year
610785/1 3 10 2006

Item Article	Quantity Quantité	Art.No Réf. article	Description	Description	Info Info	Notes Remarques
1	1		55012015 Driving satellite	Satellite entraînement	3	Complete
	1		55012014 Driving satellite	Satellite entraînement	3	Complete
	1		55012013 Driving satellite	Satellite entraînement	3	Complete
	1		55012012 Driving satellite	Satellite entraînement	3	Complete
2	1		55012011 Driving satellite	Satellite entraînement	3	Complete
	1		32100065 •Pipe	•Tube	3	
	1		32100064 •Pipe	•Tube	3	
	1		32100063 •Pipe	•Tube	3	
	1		32100062 •Pipe	•Tube	3	
	1		32100061 •Pipe	•Tube	3	
3	2	2	32100021 •Cone	•Cône	3	
* 4	2	2	56000341 •Satellite tail shaft kit	•Kit embout arbre satellite	3	
5	1	1	73016189 •O-ring	•Joint torique	3	Ø15
6	2	2	74033003 •Screw	•Vis	3	M6x20
7	2	2	74020030 •Screw	•Vis	3	M6x30
8	2	2	72046158 •Clamp	•Collier de serrage	3	
9	11m12m14m15m17m		77010002100 •Adhesive strip	•Bande adhésive	3	L=100m
10	1	1	32100988 •Disc	•Disque	3	25 teeth
11	2		55012025 Returning satellite	Satellite renvoi	3	Complete
	2		55012024 Returning satellite	Satellite renvoi	3	Complete
	2		55012023 Returning satellite	Satellite renvoi	3	Complete
	2		55012022 Returning satellite	Satellite renvoi	3	Complete
12	1		55012021 Returning satellite	Satellite renvoi	3	Complete
	1		32100065 •Pipe	•Tube	3	
	1		32100064 •Pipe	•Tube	3	
	1		32100063 •Pipe	•Tube	3	
	1		32100062 •Pipe	•Tube	3	
	1		32100061 •Pipe	•Tube	3	
13	2	2	32100021 •Cone	•Cône	3	
* 14	2	2	56000341 •Satellite tail shaft kit	•Kit embout arbre satellite	3	
15	1	1	73016189 •O-ring	•Joint torique	3	Ø15
16	4	4	74033003 •Screw	•Vis	3	M6x20
17	1		55012035 Strips guide satellite	Satellite guide bandes	3	Complete
	1		55012034 Strips guide satellite	Satellite guide bandes	3	Complete
	1		55012033 Strips guide satellite	Satellite guide bandes	3	Complete
	1		55012032 Strips guide satellite	Satellite guide bandes	3	Complete
18	1		55012031 Strips guide satellite	Satellite guide bandes	3	Complete
	1		32100075 •Pipe	•Tube	3	
	1		32100074 •Pipe	•Tube	3	
	1		32100073 •Pipe	•Tube	3	
	1		32100072 •Pipe	•Tube	3	
	1		32100071 •Pipe	•Tube	3	
19	2	2	32100021 •Cone	•Cône	3	
* 20	2	2	56000341 •Satellite tail shaft kit	•Kit embout arbre satellite	3	
21	1	1	73016189 •O-ring	•Joint torique	3	Ø15
22	4	4	74033003 •Screw	•Vis	3	M6x20
23	1		55012045 Tension satellite	Satellite tendeur	3	Complete
	1		55012044 Tension satellite	Satellite tendeur	3	Complete
	1		55012043 Tension satellite	Satellite tendeur	3	Complete
	1		55012042 Tension satellite	Satellite tendeur	3	Complete
24	1		55012041 Tension satellite	Satellite tendeur	3	Complete
	1		32100085 •Pipe	•Tube	3	
	1		32100084 •Pipe	•Tube	3	
	1		32100083 •Pipe	•Tube	3	





610785

Issue	Month	Year
02	10	06

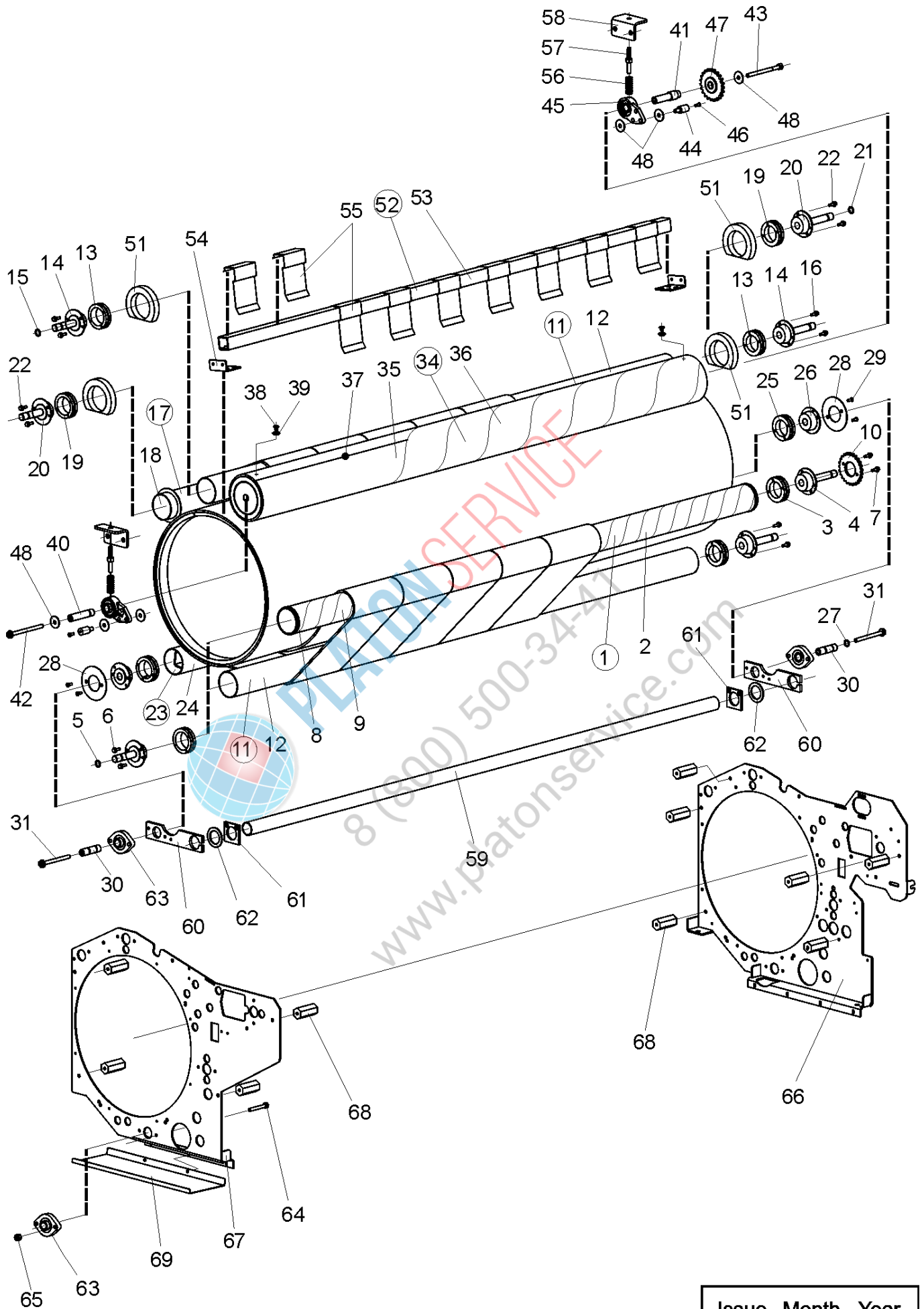
IC44819,IC44821,IC44825,IC44828,IC44832

Satellites

Illustration Issue Month Year
Schéma Issue Month Year
610785/1 3 10 2006

Satellites

Item Article	Quantity Quantité					Art.No Réf. article	Description	Description	Info Info	Notes Remarques
	IC44819									
	IC44821									
	IC44825									
	IC44828									
	IC44832									
		1				32100082	•Pipe	•Tube	3	
		1				32100081	•Pipe	•Tube	3	
25	2	2	2	2	2	32100021	•Cone	•Cône	1,2	
* 26	2	2	2	2	2	32105763	•Tail shaft satellite	•Embout arbre satellite	3	
27	1	1	1	1	1	73016189	•O-ring	•Joint torique	1,2	Ø15
28	2	2	2	2	2	32100100	•Disc	•Disque	3	
29	4	4	4	4	4	74033101	•Screw	•Vis	3	M6x16
* 30	2	2	2	2	2	32105764	•Satellite shaft	•Arbre satellite	3	
31	2	2	2	2	2	74020260010	•Screw	•Vis	3	M10x100 10 units
32	-	-	-	-	-		•	•		Not used
33	-	-	-	-	-		•	•		Not used
34	1					55012235	Presser satellite	Satellite presseur	3	Complete
		1				55012234	Presser satellite	Satellite presseur	3	Complete
			1			55012233	Presser satellite	Satellite presseur	3	Complete
				1		55012232	Presser satellite	Satellite presseur	3	Complete
					1	55012231	Presser satellite	Satellite presseur	3	Complete
35	1					32104225	•Pipe	•Tube	3	
		1				32104224	•Pipe	•Tube	3	
			1			32104223	•Pipe	•Tube	3	
				1		32104222	•Pipe	•Tube	3	
					1	32104221	•Pipe	•Tube	3	
36	1	1				77010278	•Trim	•Garniture	3	15mm
			1			77010279	•Trim	•Garniture	3	15mm
				1		77010280	•Trim	•Garniture	3	15mm
37	1					77010281	•Nomex fitting	•Garniture Nomex	3	
		1				77010282	•Nomex fitting	•Garniture Nomex	3	
			1			77010283	•Nomex fitting	•Garniture Nomex	3	
				1		77010284	•Nomex fitting	•Garniture Nomex	3	
					1	77010285	•Nomex fitting	•Garniture Nomex	3	
38	2	2	2	2	2	74010035	•Screw	•Vis	3	
39	2	2	2	2	2	74036602	•Washer	•Rondelle	3	Ø6
40	1	1	1	1	1	32101161	•Shaft	•Arbre	3	Short
41	1	1	1	1	1	32103493	•Shaft	•Arbre	3	Long
42	1	1	1	1	1	74033606	•Screw	•Vis	3	M10x130
43	1	1	1	1	1	74033606	•Screw	•Vis	3	M10x130
44	2	2	2	2	2	32100026	•Spacer	•Entretoise	3	
45	2	2	2	2	2	73010066	•Bearing box	•Palier	3	
46	2	2	2	2	2	74033101	•Screw	•Vis	3	M6x16
47	1	1	1	1	1	32103494	•Free wheel	•Roue libre	3	23 teeth
48	6	6	6	6	6	74036803	•Washer	•Rondelle	3	Ø10
49	-	-	-	-	-		•	•		Not used
50	-	-	-	-	-		•	•		Not used
51	4	4	4	4	4	32101307	Seal	Joint	3	
52	1					55012245	Stripper	Décolleur	3	Complete
		1				55012244	Stripper	Décolleur	3	Complete
			1			55012243	Stripper	Décolleur	3	Complete
				1		55012242	Stripper	Décolleur	3	Complete
					1	55012241	Stripper	Décolleur	3	Complete
53	1					32103735	•Square tube	•Tube carrée	3	
		1				32103734	•Square tube	•Tube carrée	3	
			1			32103733	•Square tube	•Tube carrée	3	
				1		32103732	•Square tube	•Tube carrée	3	
					1	32103731	•Square tube	•Tube carrée	3	
54	2	2	2	2	2	32103740	•Rail	•Support	3	



610785

Issue	Month	Year
02	10	06

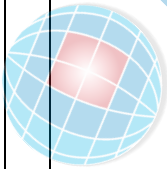
IC44819,IC44821,IC44825,IC44828,IC44832

Satellites

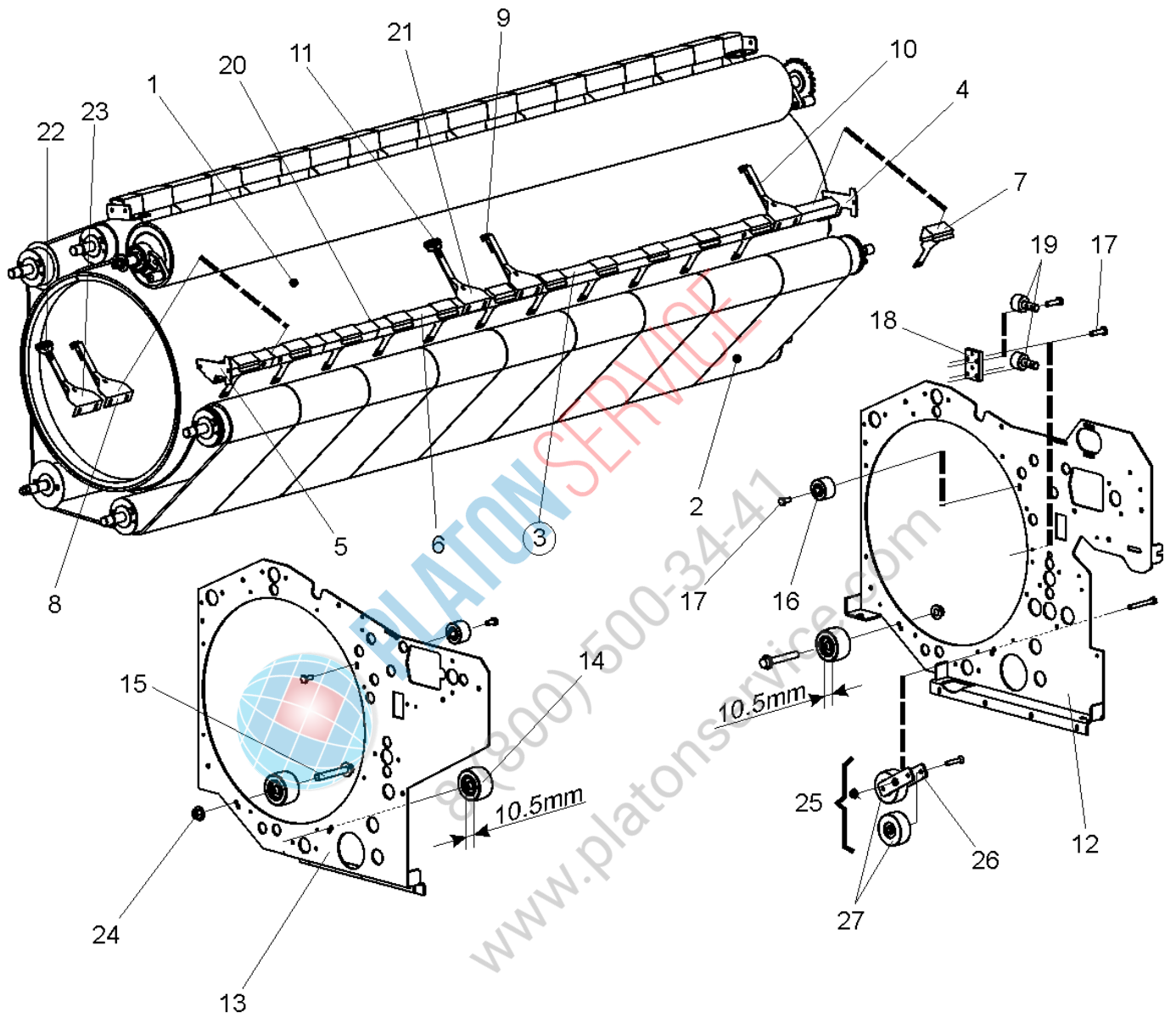
Illustration Issue Month Year
Schéma Issue Month Year
610785/1 3 10 2006

Satellites

Item Article	Quantity Quantité					Art.No Réf. article	Description	Description	Info Info	Notes Remarques
	IC44819									
	IC44821									
	IC44825									
	IC44828									
	IC44832									
55	9	10	12	13	15	32103729	•Stripper	•Décolleur	3	
56	2	2	2	2	2	32001249	Detaching spring	Ressort de décolleur	3	
57	2	2	2	2	2	32104241	Heating element	Guide	3	
58	2	2	2	2	2	32104242	Corner element	Equerre	3	
59	1					32100115	Pipe	Tube	3	
		1				32100114	Pipe	Tube	3	
			1			32100113	Pipe	Tube	3	
				1		32100112	Pipe	Tube	3	
					1	32100111	Pipe	Tube	3	
60	2	2	2	2	2	32103828	Tension arm	Bras tendeur	3	
61	2	2	2	2	2	32100105	Heating element	Guide	3	
62	2	2	2	2	2	32103829	Spacer	Entretoise	3	
63	12	12	12	12	12	73010080	Bearing box	Palier	1,2	
64	24	24	24	24	24	74033042010	Screw	Vis	3	M8x35 10 units
65	24	24	24	24	24	74011205	Locking nut	Ecrou frein	3	M8
66	1	1	1	1	1	32104243	Plate	Platine	3	Right
67	1	1	1	1	1	32104244	Plate	Platine	3	Left
68	12	12	12	12	12	32100041	Spacer	Entretoise	3	
69	1	1	1	1	1	32104324	Deflector	Défecteur	3	



PLATON SERVICE
 8 (800) 500-34-1
 www.platonservice.com



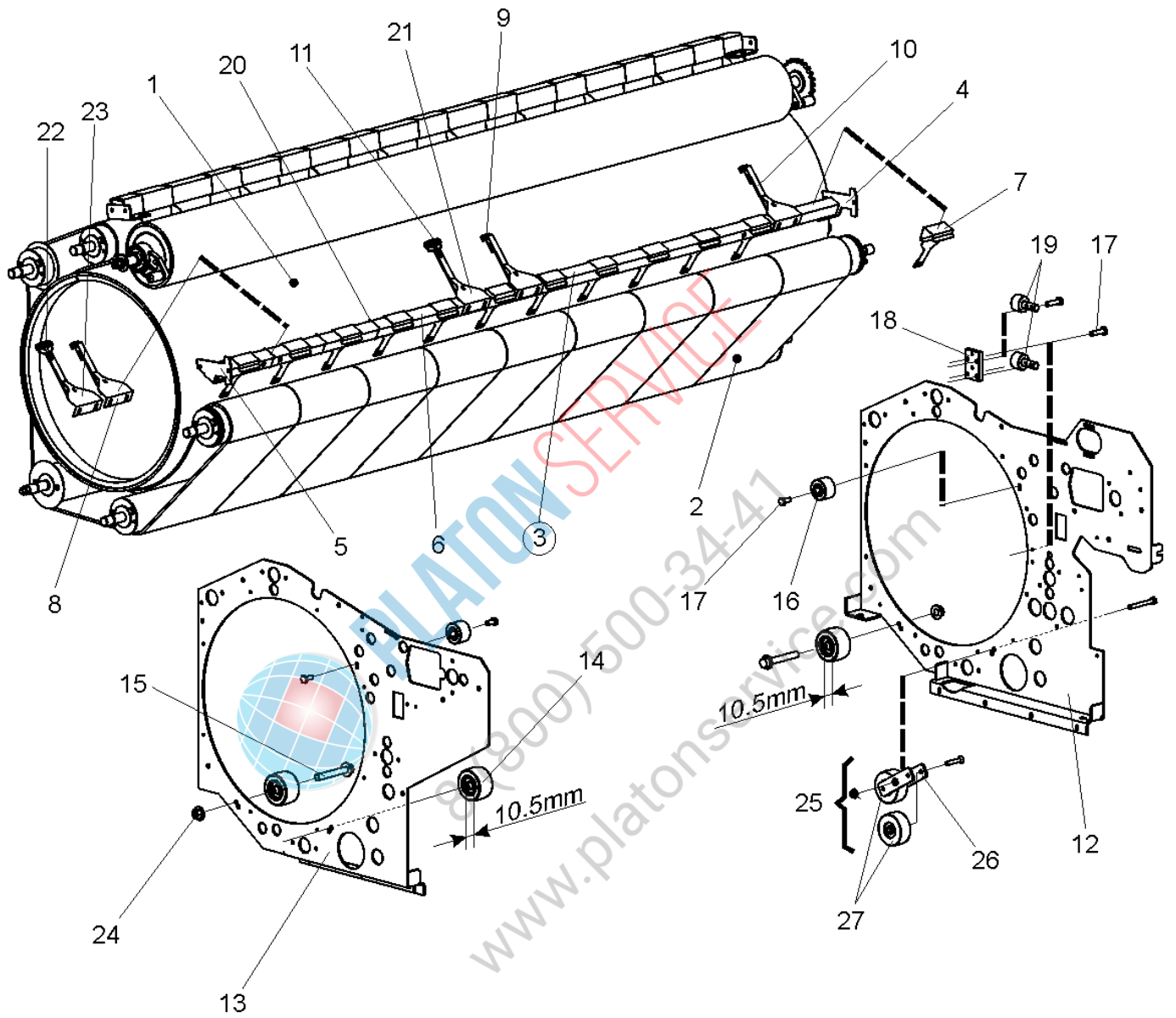
IC44819,IC44821,IC44825,IC44828,IC44832

Cylinders and strips bar

Cylindres et barre décolleurs

Illustration Issue Month Year
Schéma Issue Month Year
610783/4 8 6 2010

Item Article	Quantity Quantité	Art.No Réf. article	Description	Description	Info Info	Notes Remarques	
1	1	IC44819					
		1	IC44821				
		1	IC44825				
		1	IC44828				
		1	IC44832				
		1	32103915	Cylinder	Cylindre	3	Ø479mm Nickel-plated steel
		1	32103914	Cylinder	Cylindre	3	Ø479mm Nickel-plated steel
		1	32103913	Cylinder	Cylindre	3	Ø479mm Nickel-plated steel
		1	32103912	Cylinder	Cylindre	3	Ø479mm Nickel-plated steel
		1	32103911	Cylinder	Cylindre	3	Ø479mm Nickel-plated steel
		1	32103865	Cylinder	Cylindre	3	Ø479mm Stainless
		1	32103864	Cylinder	Cylindre	3	Ø479mm Stainless
		1	32103863	Cylinder	Cylindre	3	Ø479mm Stainless
		1	32103862	Cylinder	Cylindre	3	Ø479mm Stainless
		1	32103861	Cylinder	Cylindre	3	Ø479mm Stainless
		1	32102685	Cylinder	Cylindre	3	Dubixium®
	1	32102684	Cylinder	Cylindre	3	Dubixium®	
	1	32102683	Cylinder	Cylindre	3	Dubixium®	
	1	32102682	Cylinder	Cylindre	3	Dubixium®	
	1	32102681	Cylinder	Cylindre	3	Dubixium®	
2	9	77010265	Ironing strip	Bande de repassage	1,2	Gas & electric heating	
3	9	77010286	Ironing strip	Bande de repassage	1,2	Steam heating	
	10	55007976	Strips bar	Barre décolleurs	3	Complete	
	12	55008274	Strips bar	Barre décolleurs	3	Complete	
	13	55007992	Strips bar	Barre décolleurs	3	Complete	
	15	55008304	Strips bar	Barre décolleurs	3	Complete	
4	1	55007133	Strips bar	Barre décolleurs	3	Complete	
	1	32100106	•Supporting bracket	•Patte de maintien	3	Right	
5	1	32100107	•Supporting bracket	•Patte de maintien	3	Left	
6	1	32100125	•Pipe	•Tube	3		
	1	32100124	•Pipe	•Tube	3		
	1	32100123	•Pipe	•Tube	1,2		
	1	32100122	•Pipe	•Tube	3		
	1	32100121	•Pipe	•Tube	3		
7	12	32102191	•Stripper	•Décolleur	1,2		
8	1	32102813	Temperature sensor	Capteur de température	1,2	L=2m PT100	
9	1	32102813	Temperature sensor	Capteur de température	1,2	L=2m PT100	
10	1	32104549	Temperature sensor	Capteur de température	1,2	L=3m PT100	
	1	32104549	Temperature sensor	Capteur de température	1,2	L=3m PT100	
11	1	32103386	Temperature sensor	Capteur de température	1,2	L=4m PT100	
	1	55014193	Thermostat	Thermostat	1,2	Safety	
12	1	32104243	Plate	Platine	3	Right	
13	1	32104244	Plate	Platine	3	Left	
14	1	56000302	Cylinder support rollers Kit	Kit galets support cylindre	1,2		
	1	56000303	Cylinder support rollers Kit	Kit galets support cylindre	1,2	5 units With Dubixium®	
15	4	74020281010	Screw	Vis	3	M8x70 10 units	
16	2	55012134	Roller	Galet	1,2	Upper	



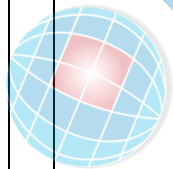
IC44819,IC44821,IC44825,IC44828,IC44832

Cylinders and strips bar

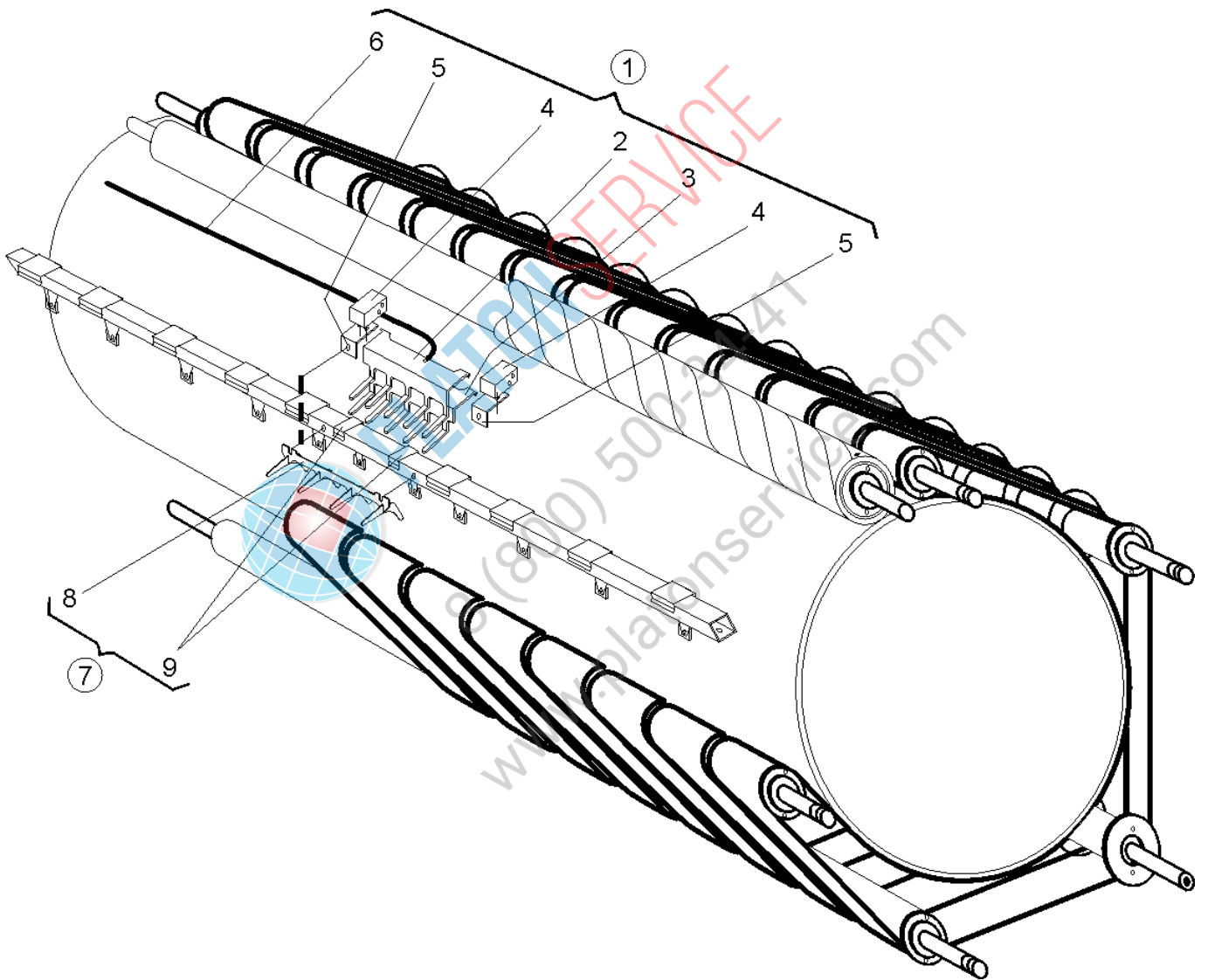
Cylindres et barre décolleurs

Illustration Issue Month Year
Schéma Issue Month Year
610783/4 8 6 2010

Item Article	Quantity Quantité					Art.No Réf. article	Description	Description	Info Info	Notes Remarques
	IC44819									
	IC44821									
	IC44825									
	IC44828									
	IC44832									
17	8	8	8	8	8	74033003	Screw	Vis	3	M6x20
18	1	1	1	1	1	32102807	Spacer	Entretoise	3	-61700035
	1	1	1	1	1	32105066	Spacer	Entretoise	3	61700036-
19	2	2	2	2	2	32104168	Stop	Butée	1,2	
20	5	5	5	5	5	71076053	Cramp	Collier	3	
21	1	1	1	1	1	32104158	Safety support	Support sécurité	3	
22	1	1	1	1	1	55013503	Circuit breaker	Fusible	1,2	Thermal With Dubixium®
23	1	1	1	1	1	32104158	•Safety support	•Support sécurité	1,2	With Dubixium®
24	4	4	4	4	4	74033203	Cage nut	Ecrou	3	M8
25	1	1	1	1	1	55013858	Cylinder support compensator	Palonnier support cylindre	3	Complete With Dubixium®
26	1	1	1	1	1	32105342	•Compensator	•Palonnier	3	02610009-
27	2	2	2	2	2	55014467	•Cylinder support roller	•Galet support cylindre	1,2	02610009-



PLATON SERVICE
8 (800) 500-34-17
www.platonservice.com



610784

Issue	Month	Year
02	10	07

IC44819,IC44821,IC44825,IC44828,IC44832

DIAMMS Option

Option DIAMMS

Illustration Issue Month Year
Schéma Issue Month Year
610784/1 2 10 2007

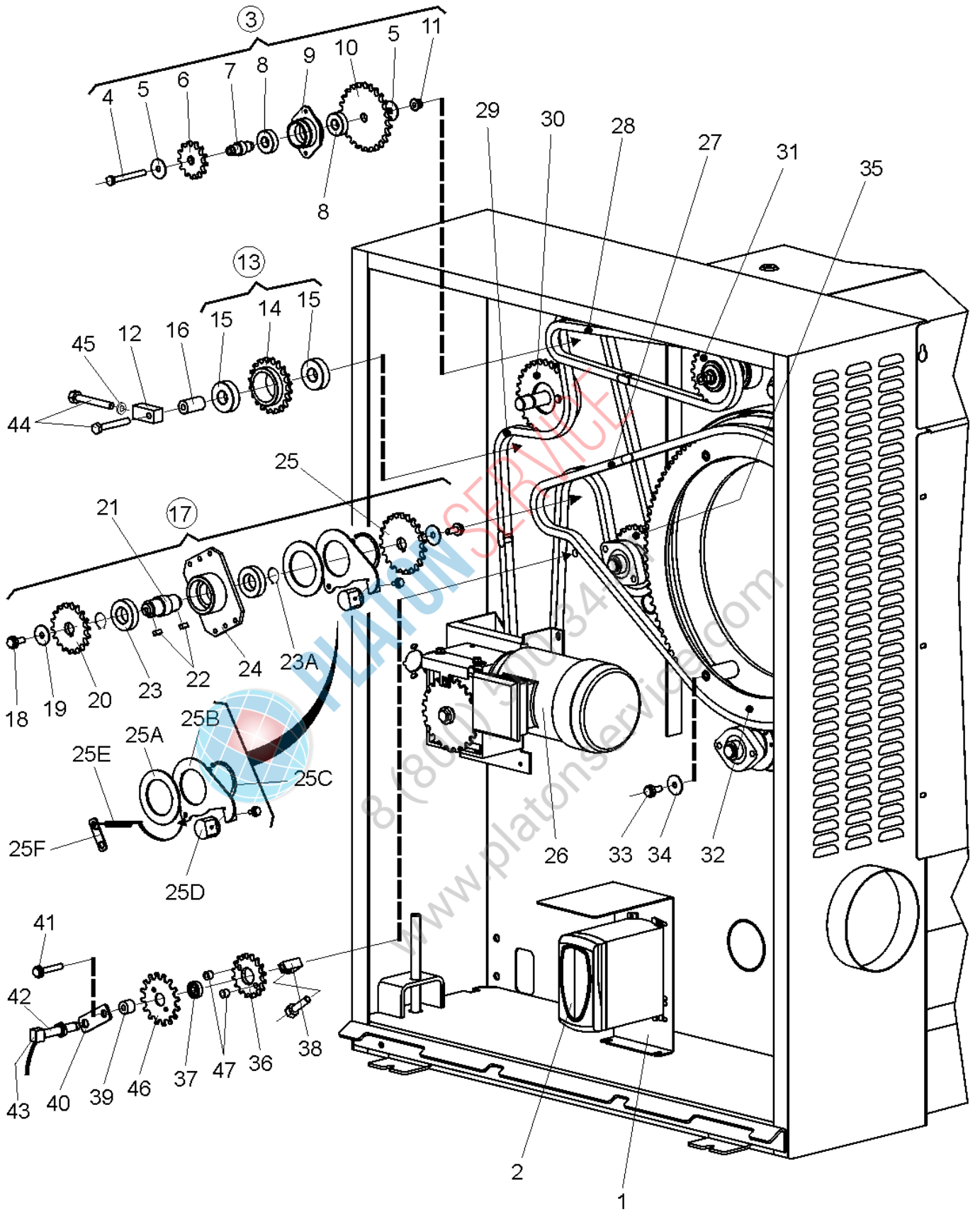
Item Article	Qua Qua	Art.No Réf. article	Description	Description	Info Info	Notes Remarques
1	1	55011308	DIAMMS Option	Option DIAMMS	1,2	Complete
2	1	32102773	•Humidity sensor comb	•Râteau	3	Upper
3	1	32102774	•Humidity sensor comb	•Râteau	1,2	Lower
4	2	32102775	•Comb support	•Support râteau	1,2	
5	2	32102776	•Corner element	•Equerre	3	
6	4m	71041096	•Cable	•Câble	1,2	2x0.22mm ²
7	1	56000129	Linen guide kit	Kit guide linge	1,2	Complete
8	1	32105146	•Linen guide	•Guide linge	1,2	
9	2	32105159	•Stripper	•Décolleur	1,2	



PLATON SERVICE

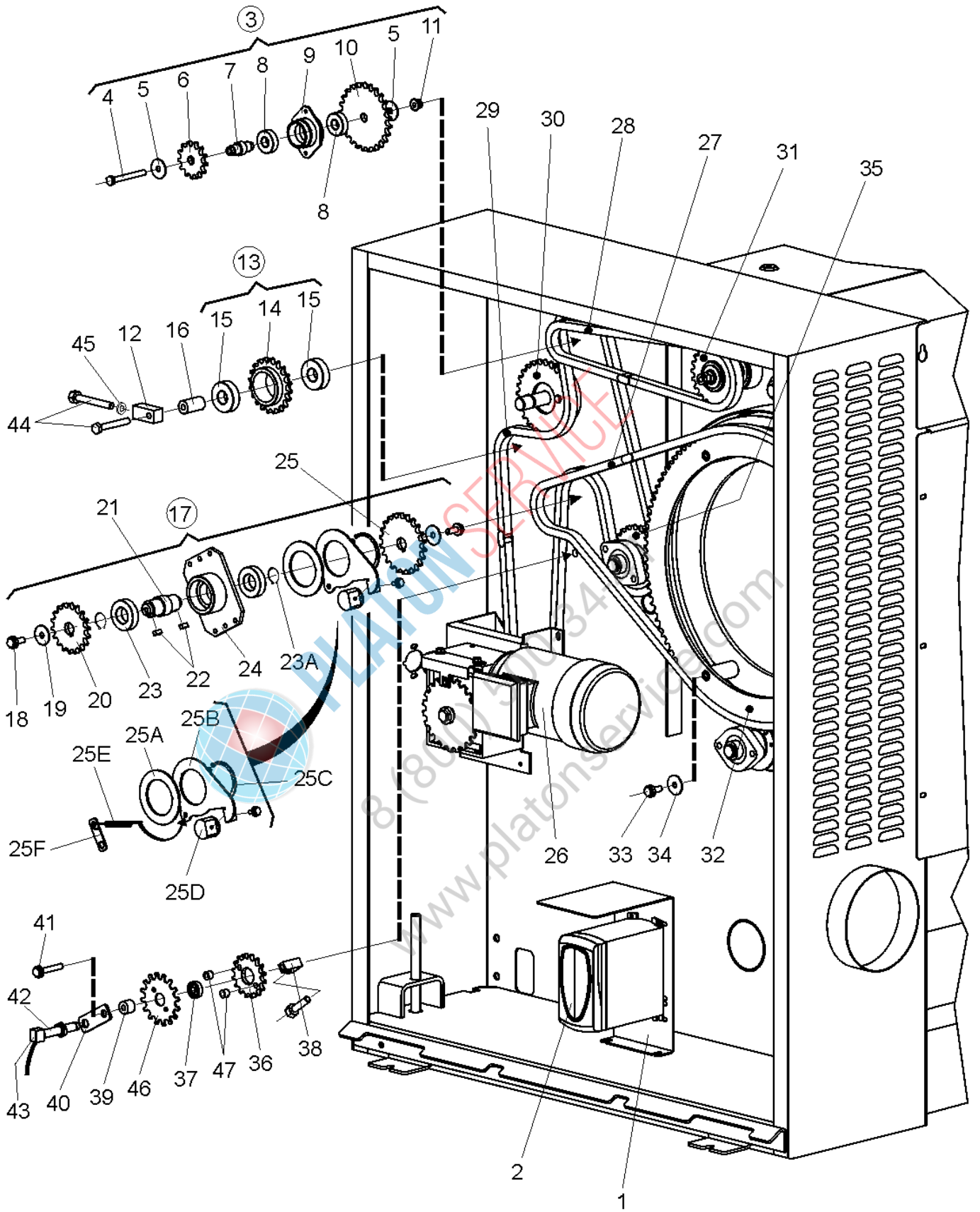
8 (800) 500-34-47

www.platonservice.com



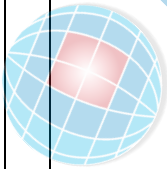
IC44819 -81900017,IC44821 -81900017,IC44825 -81900017,IC44828 -81900017,IC44832 -81900017
Motion Illustration Issue Month Year
 Schéma Issue Month Year
Mouvement **610782/4** **6** **6** **2008**

Item Article	Quantity Quantité					Art.No Réf. article	Description	Description	Info Info	Notes Remarques
	IC44819									
	IC44821									
	IC44825									
	IC44828									
	IC44832									
1	1	1	1	1	1	32103935	Converter support	Support convertisseur	3	
2	1	1	1	1	1	32105068	AC speed drive	Convertisseur de fréquence	1,2	Configured -74500018
	1	1	1	1	1	32105181	AC speed drive	Convertisseur de fréquence	1,2	Leroy-Somer Configured 74500019-
3	1	1	1	1	1	55012221	Drive pinion	Pignon entraînement	1,2	Complete -02210002
	1	1	1	1	1	55014199	Drive pinion	Pignon entraînement	1,2	Complete 02210003-
4	1	1	1	1	1		•Screw	•Vis	3	M8x70 10 units
5	2	2	2	2	2		•Washer	•Rondelle	3	Ø8
6	1	1	1	1	1		•Disc	•Disque	3	13 teeth
7	1	1	1	1	1		•Shaft	•Arbre	3	
8	2	2	2	2	2		•Ball bearing	•Roulement à billes	3	
9	1	1	1	1	1		•Bearing box	•Palier	3	
10	1	1	1	1	1		•Disc	•Disque	3	25 teeth
11	1	1	1	1	1		•Locking nut	•Ecrou frein	3	M8
12	1	1	1	1	1	32103968	Chain adjuster	Tendeur de chaîne	3	
13	1	1	1	1	1	55007139	Link wheel	Pignon de liaison	1,2	
14	1	1	1	1	1		•Hub	•Moyeu	3	
15	2	2	2	2	2	73011075	•Ball bearing	•Roulement à billes	3	
16	1	1	1	1	1	32100029	Shaft	Axe	3	
17	1	1	1	1	1	55013784	Chain adjuster Kit	Kit tendeur	1,2	Complete
18	2	2	2	2	2	74033007	•Screw	•Vis	3	M8x20
19	2	2	2	2	2	74036801	•Washer	•Rondelle	3	Ø8
20	1	1	1	1	1	32103974	•Disc	•Disque	3	18 teeth
21	1	1	1	1	1	32102790	•Shaft	•Arbre	3	
22	2	2	2	2	2	32100993	•Key	•Clavette	3	L=12mm
23	2	2	2	2	2	73011006	•Ball bearing	•Roulement à billes	3	
23A	2	2	2	2	2	74026054	•Circlip	•Circlip	3	Ø25
24	1	1	1	1	1	32103972	•Bearing box	•Palier	3	
25	1	1	1	1	1	32103975	•Disc	•Disque	3	22 teeth
25A	1	1	1	1	1	32105251	•Washer	•Rondelle	3	81700026-
25B	1	1	1	1	1	32105250	•Guide tension	•Tendeur	3	81700026-
25C	1	1	1	1	1	74026060	•Circlip	•Circlip	3	Ø55 81700026-
25D	1	1	1	1	1	32008043	•Bolster	•Patin	3	81700026-
25E	1	1	1	1	1	32006090	•Return spring	•Ressort de rappel	3	81700026-
25F	1	1	1	1	1	32104341	•Cells support	•Support cellules	3	81700026-
26	1	1	1	1	1	55012390	Back-geared motor	Moto-réducteur	1,2	Complete ill. 610779
27	1	1	1	1	1	32104363	Chain	Chaîne	3	Driving cylinder
28	1	1	1	1	1	32104364	Chain	Chaîne	3	Presser satellite
29	1	1	1	1	1	32104365	Chain	Chaîne	3	Driving belts
30	1	1	1	1	1	32104347	Disc	Disque	3	28 teeth ill. 610777
31	1	1	1	1	1	32103494	Free wheel	Roue libre	3	23 teeth
32	1	1	1	1	1	32103879	Disc	Disque	3	114 teeth Gas & electric heating
	1	1	1	1	1	32104465	Disc	Disque	3	110 teeth Steam heating
33	3	3	3	3	3	74033007	Screw	Vis	3	M8x20
34	3	3	3	3	3	74036801	Washer	Rondelle	3	Ø8
35	1	1	1	1	1	32100988	Disc	Disque	3	25 teeth

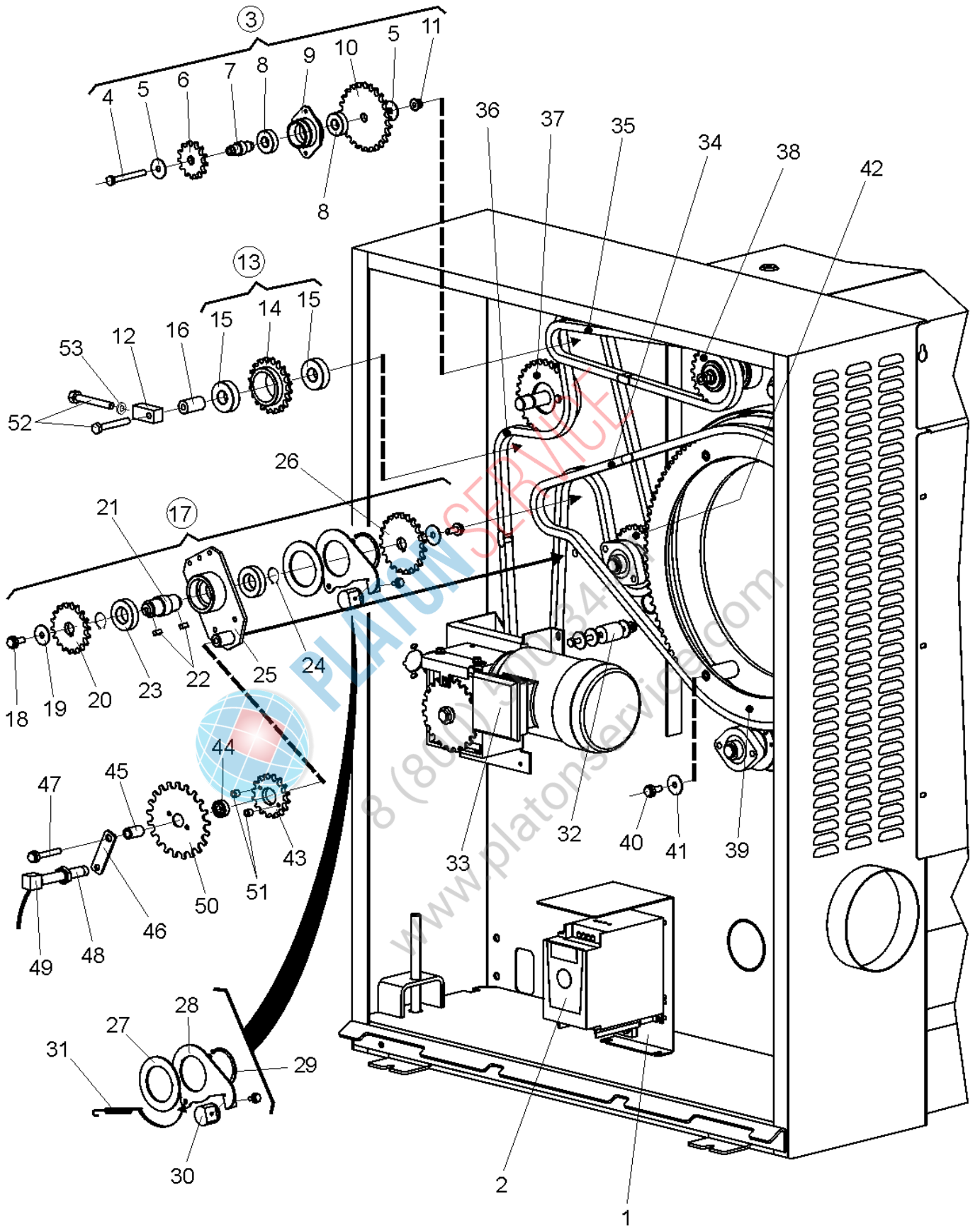


IC44819 -81900017,IC44821 -81900017,IC44825 -81900017,IC44828 -81900017,IC44832 -81900017
Motion Illustration Issue Month Year
 Schéma Issue Month Year
Mouvement **610782/4 6 6 2008**

Item Article	Quantity Quantité					Art.No Réf. article	Description	Description	Info Info	Notes Remarques
	IC44819									
	IC44821									
	IC44825									
	IC44828									
	IC44832									
36	1	1	1	1	1	32104104	Disc	Disque	3	16 teeth
37	1	1	1	1	1	73011109	•Ball bearing	•Roulement à billes	3	
38	1	1	1	1	1	32104100	Chain adjuster	Tendeur de chaîne	3	
39	1	1	1	1	1	32104340	Spacer	Entretoise	3	-52100002
	1	1	1	1	1	32104520	Spacer	Entretoise	3	52100003-
40	1	1	1	1	1	32104341	Cells support	Support cellules	3	-52100002
	1	1	1	1	1	32104519	Cells support	Support cellules	3	52100003-
41	1	1	1	1	1	74033015	Screw	Vis	3	M10x30
42	1	1	1	1	1	71050247	Inductive proximity switch	Détecteur de proximité inductif	1,2	
43	1	1				71050199	Connector	Connecteur	1,2	5m 3 pole
			1	1	1	71050227	Connector	Connecteur	1,2	L=10m 3 pole
44	2	2	2	2	2	74020280010	Screw	Vis	3	M8x35 10 units
45	1	1	1	1	1	74036007	Washer	Rondelle	3	Ø8
46	1	1	1	1	1	32104518	Rotation detection disk	Disque détection rotation	3	52100003-
47	2	2	2	2	2	32104517	Spacer	Entretoise	3	52100003-



PLATON SERVICE
 8 (800) 500-34-11
 www.platonservice.com



Issue	Month	Year
02	01	11

IC44819 81900018-,IC44821 81900018-,IC44825 81900018-,IC44828 81900018-,IC44832 81900018-

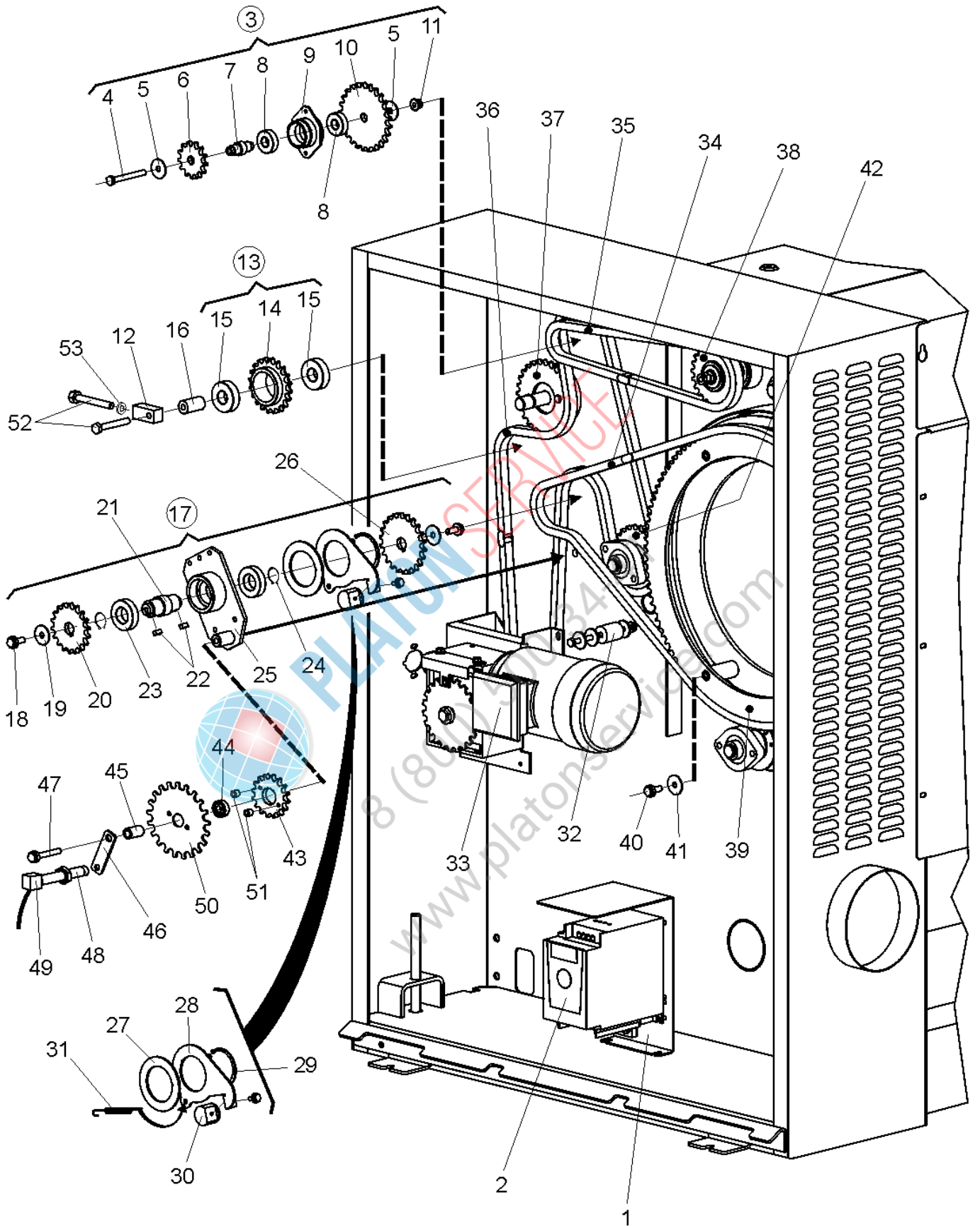
Motion

Illustration Issue Month Year
Schéma Issue Month Year

Mouvement

611283/1 2 5 2011

Item Article	Quantity Quantité						Art.No Réf. article	Description	Description	Info Info	Notes Remarques
	IC44819										
		IC44821									
			IC44825								
				IC44828							
					IC44832						
1	1	1	1	1	1		32103935	Converter support	Support convertisseur	3	
2	1	1	1	1	1		32105181	AC speed drive	Convertisseur de fréquence	1,2	Leroy-Somer Configured -10810099
		1	1	1	1		32106001	AC speed drive	Convertisseur de fréquence	1,2	ATV12 Configured 10910001-
3	1	1	1	1	1		55014199	Drive pinion	Pignon entraînement	1,2	Complete
4	1	1	1	1	1			•Screw	•Vis	3	M8x70 10 units
5	2	2	2	2	2			•Washer	•Rondelle	3	Ø8
6	1	1	1	1	1			•Disc	•Disque	3	13 teeth
7	1	1	1	1	1			•Shaft	•Arbre	3	
8	2	2	2	2	2			•Ball bearing	•Roulement à billes	3	
9	1	1	1	1	1			•Bearing box	•Palier	3	
10	1	1	1	1	1			•Disc	•Disque	3	25 teeth
11	1	1	1	1	1			•Locking nut	•Ecrou frein	3	M8
12	1	1	1	1	1		32103968	Chain adjuster	Tendeur de chaîne	3	
13	1	1	1	1	1		55007139	Link wheel	Pignon de liaison	1,2	
14	1	1	1	1	1			•Hub	•Moyeu	3	
15	2	2	2	2	2		73011075	•Ball bearing	•Roulement à billes	3	
16	1	1	1	1	1		32100029	Shaft	Axe	3	
17	1	1	1	1	1		56000219	Drive pinion kit	Kit pignon entraînement	1,2	Complete
18	2	2	2	2	2		74033007	•Screw	•Vis	3	M8x20
19	2	2	2	2	2		74036801	•Washer	•Rondelle	3	Ø8
20	1	1	1	1	1		32103974	•Disc	•Disque	3	18 teeth
21	1	1	1	1	1		32102790	•Shaft	•Arbre	3	
22	2	2	2	2	2		32100993	•Key	•Clavette	3	L=12mm
23	2	2	2	2	2		73011006	•Ball bearing	•Roulement à billes	3	
24	2	2	2	2	2		74026054	•Circlip	•Circlip	3	Ø25
25	1	1	1	1	1		32103972	•Bearing box	•Palier	3	
26	1	1	1	1	1		32103975	•Disc	•Disque	3	22 teeth
27	1	1	1	1	1		32105251	•Washer	•Rondelle	3	
28	1	1	1	1	1		32105250	•Guide tension	•Tendeur	3	
29	1	1	1	1	1		74026060	•Circlip	•Circlip	3	Ø55
30	1	1	1	1	1		32008043	•Bolster	•Patin	3	
31	1	1	1	1	1		32006090	•Return spring	•Ressort de rappel	3	
32	1	1	1	1	1		56000207	•Chain guide kit	•Kit guide chaîne	1,2	04310003-
33	1	1	1	1	1		55012390	Back-geared motor	Moto-réducteur	1,2	Complete ill. 610779 -11810022
		1	1	1	1		56000243	Back-geared motor kit	Kit motoréducteur	1,2	Complete ill. 611292
11810023-	23010017	1	1	1	1		55014195	Back-geared motor	Motoréducteur	3	Complete ill. 611431 23010018-
34	1	1	1	1	1		32104363	Chain	Chaîne	3	Driving cylinder
35	1	1	1	1	1		32104364	Chain	Chaîne	3	Presser satellite
36	1	1	1	1	1		32104365	Chain	Chaîne	3	Driving belts
37	1	1	1	1	1		32104347	Disc	Disque	3	28 teeth ill. 610777
38	1	1	1	1	1		32103494	Free wheel	Roue libre	3	23 teeth
39	1	1	1	1	1		32103879	Disc	Disque	3	114 teeth Gas & electric heating



IC44819 81900018-,IC44821 81900018-,IC44825 81900018-,IC44828 81900018-,IC44832 81900018-

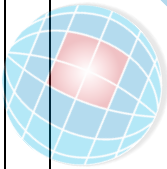
Motion

Illustration Issue Month Year
Schéma Issue Month Year

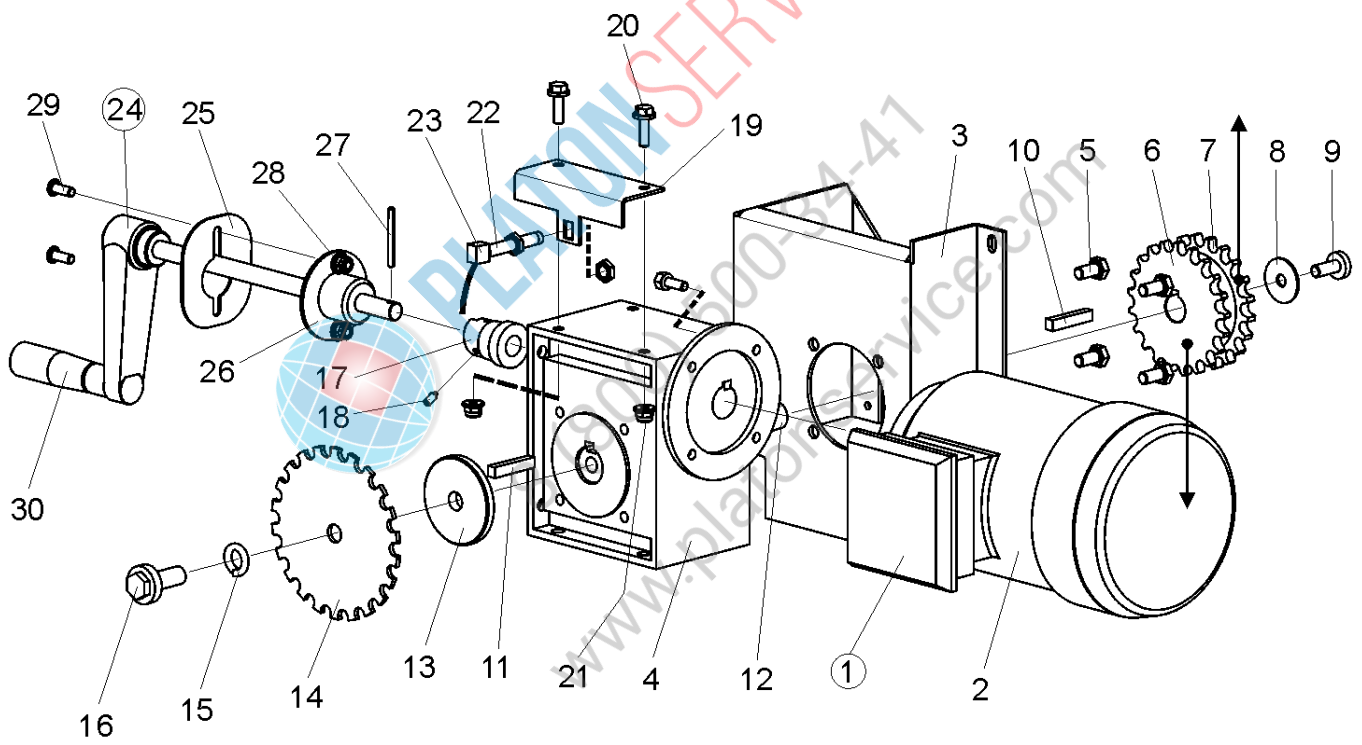
Mouvement

611283/1 2 5 2011

Item Article	Quantity Quantité					Art.No Réf. article	Description	Description	Info Info	Notes Remarques
	IC44819									
	IC44821									
	IC44825									
	IC44828									
	IC44832									
	1	1	1	1	1	32104465	Disc	Disque	3	110 teeth Steam heating
40	3	3	3	3	3	74033007	Screw	Vis	3	M8x20
41	3	3	3	3	3	74036801	Washer	Rondelle	3	Ø8
42	1	1	1	1	1	32100988	Disc	Disque	3	25 teeth
43	1	1	1	1	1	32104104	Disc	Disque	3	16 teeth
44	1	1	1	1	1	73011109	•Ball bearing	•Roulement à billes	3	
45	1	1	1	1	1	32104520	Spacer	Entretoise	3	
46	1	1	1	1	1	32104519	Cells support	Support cellules	3	
47	1	1	1	1	1	74033015	Screw	Vis	3	M10x30
48	1	1	1	1	1	71050247	Inductive proximity switch	Détecteur de proximité inductif	1,2	
49	1	1				71050199	Connector	Connecteur	1,2	5m 3 pole
			1	1	1	71050227	Connector	Connecteur	1,2	L=10m 3 pole
50	1	1	1	1	1	32104518	Rotation detection disk	Disque détection rotation	3	
51	2	2	2	2	2	32104517	Spacer	Entretoise	3	
52	2	2	2	2	2	74020280010	Screw	Vis	3	M8x35 10 units
53	1	1	1	1	1	74036007	Washer	Rondelle	3	Ø8



PLATON SERVICE
8 (800) 500-34-...
www.platonservice.com



610779

Issue	Month	Year
01	06	04

IC44819 -11810022,IC44821 -11810022,IC44825 -11810022,IC44828 -11810022,IC44832 -11810022

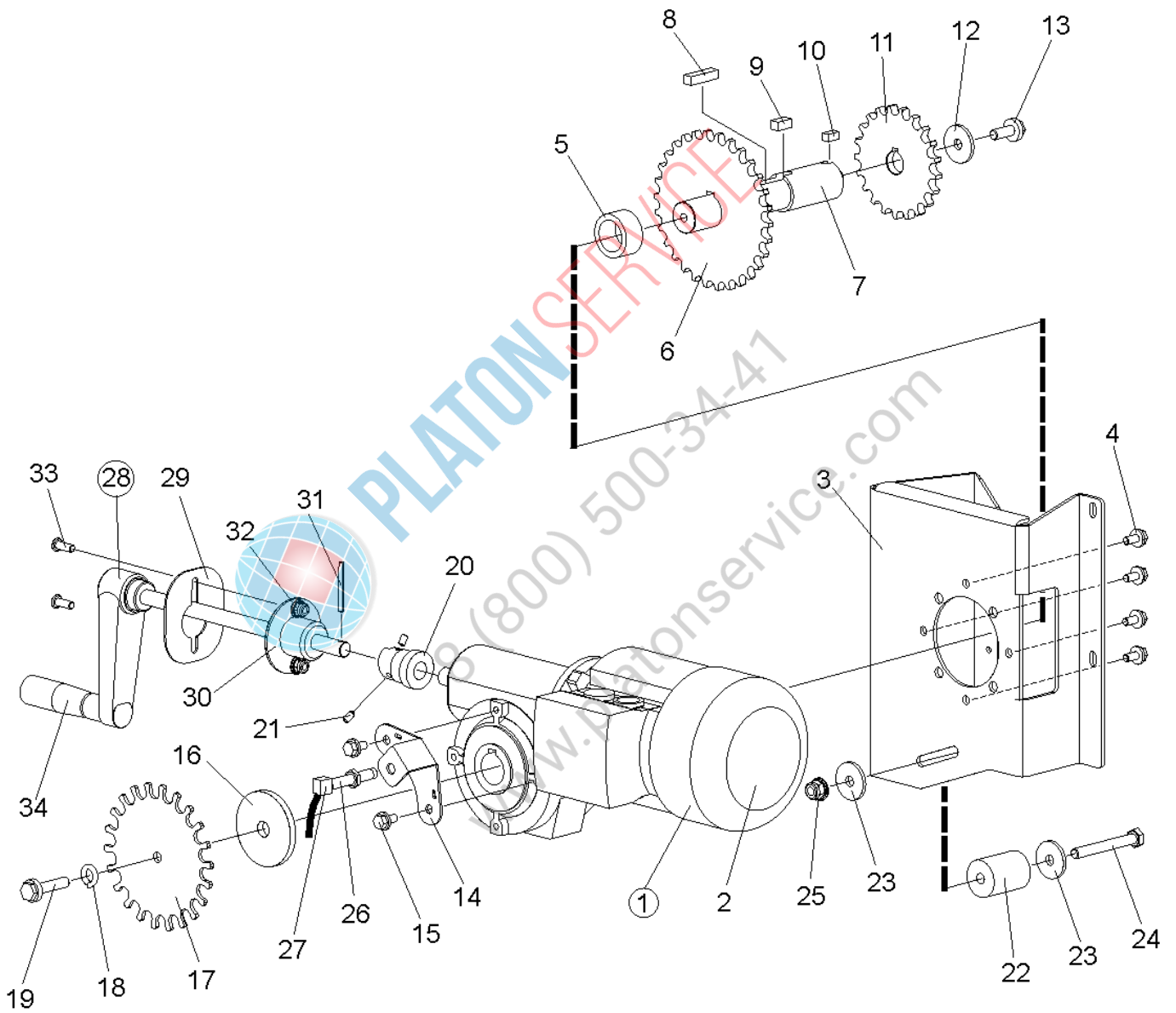
Back-gearred motor and hand control

Illustration Issue Month Year
Schéma Issue Month Year

Motoréducteur et commande manuelle

610779/2 1 6 2004

Item Article	Qua Qua	Art.No Réf. article	Description	Description	Info Info	Notes Remarques
1	1	55012390	Back-gearred motor	Moto-réducteur	1,2	Complete
2	1	71014090	•Motor	•Moteur	1,2	0.37kW
3	1	32100684	•Back-gearred motor support	•Support motoréducteur	3	
4	1	73023077	•Reducer	•Réducteur	1,2	R=1/80
5	4	74020057	•Screw	•Vis	3	M8x16
6	1	32100990	•End piece	•Pignon	3	21 teeth
7	1	32100984	•Disc	•Disque	3	21 teeth
8	1	74036801	•Washer	•Rondelle	3	Ø8
9	1	74033007	•Screw	•Vis	3	M8x20
10	1	32101293	•Key	•Clavette	3	L=29mm
11	1	32101644	•Key	•Clavette	3	L=30mm
12	1	32100683	•Shaft	•Arbre	3	
13	1	31000670	•Bearing washer	•Rondelle blocage palier	3	
14	1	32100695	•Rotation detection disk	•Disque détection rotation	3	
15	1	74036301	•Elastic washer	•Rondelle Grower	3	Ø12
16	1	74033021	•Screw	•Vis	3	M12x30
17	1	32101117	•Peg tooth	•Gueule de loup	3	
18	2	74020227	•Ball screw	•Vis à bille	3	M5x8
19	1	32100696	•Detector support	•Support détecteur	3	
20	2	74033003	•Screw	•Vis	3	M6x20
21	2	74033253	•Nut	•Écrou	3	M6
22	1	71050247	Inductive proximity switch	Détecteur de proximité inductif	1,2	
23	1	71050227	Connector	Connecteur	1,2	L=10m 3 pole
24	1	55007112	Hand control	Commande manuelle	3	Complete
25	1	32101164	•Block plate	•Plaque de verrouillage	3	
26	1	32100042	•Bearing box	•Palier	3	
27	1	74023039	•Pin	•Goupille	3	Ø4x40
28	2	74033253	•Nut	•Écrou	3	M6
29	2	74033101	•Screw	•Vis	3	M6x16
30	1	32100144	•Handle	•Manivelle	3	



IC44819 11810023-23010017,IC44821 11810023-23010017,IC44825 11810023-23010017,IC44828 11810023-23010017,IC44829 11810023-23010017

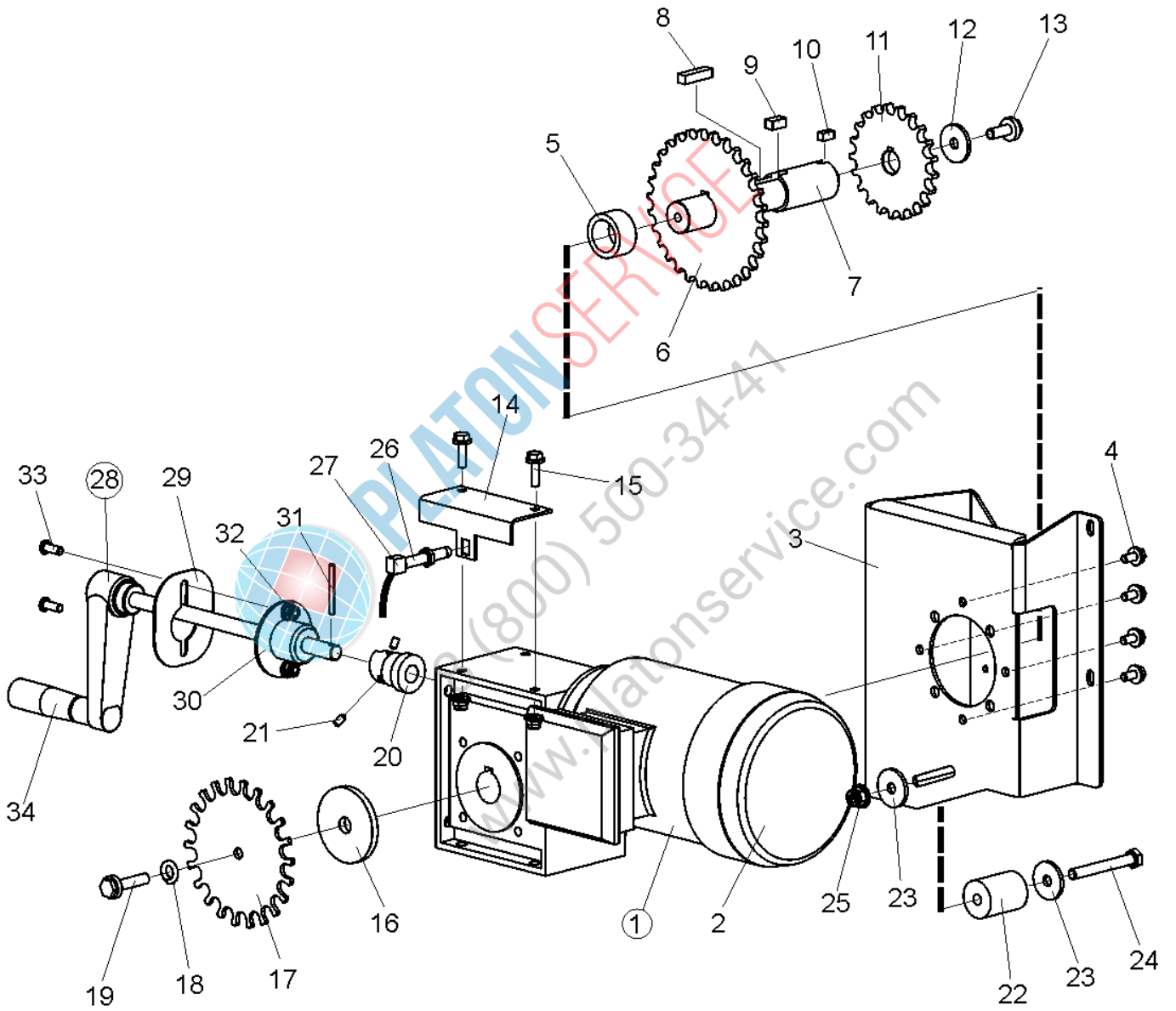
Back-gearred motor and hand control

Illustration Issue Month Year
Schéma Issue Month Year

Motoréducteur et commande manuelle

611292/1 1 5 2011

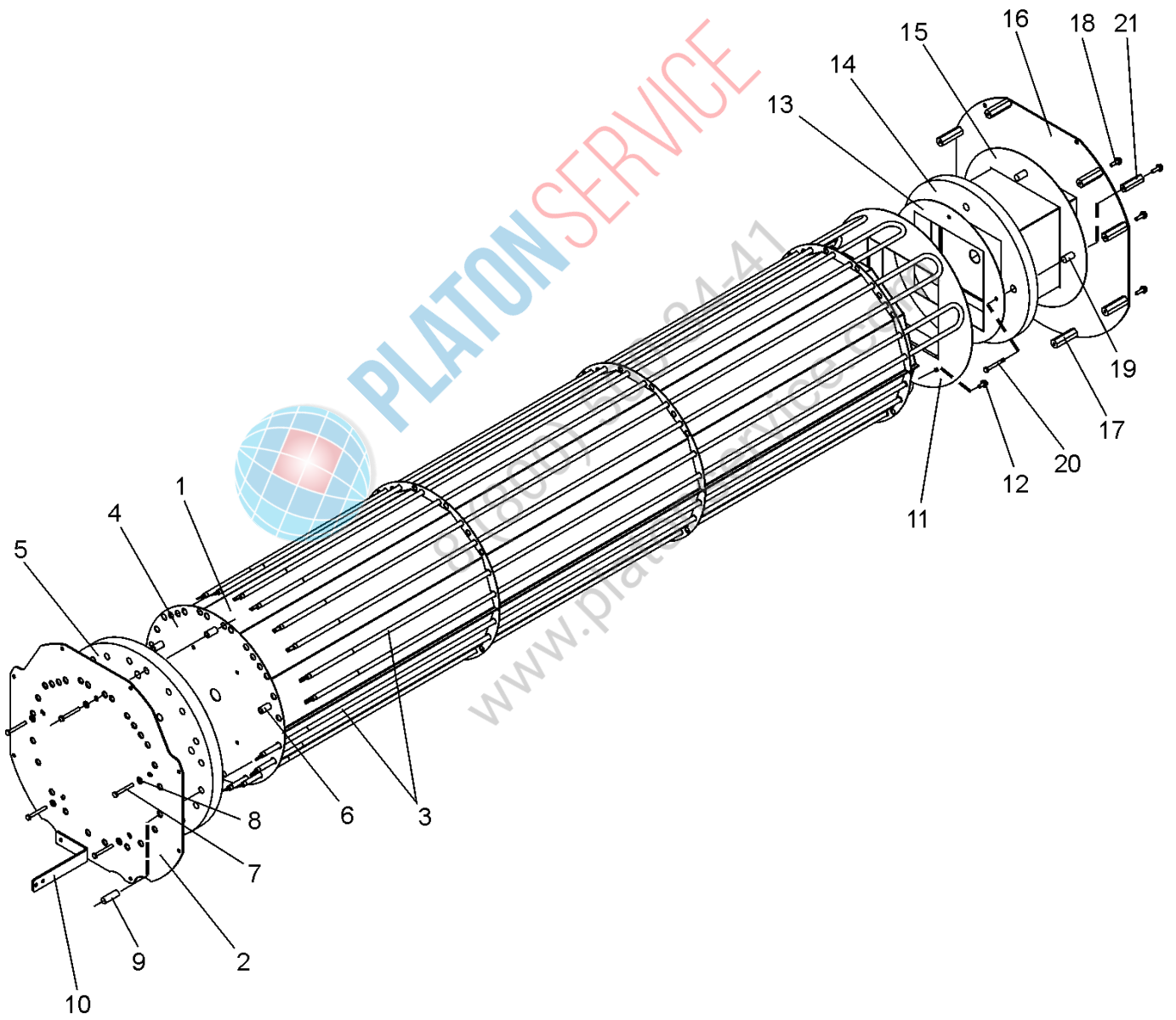
Item Article	Qua Qua	Art.No Réf. article	Description	Description	Info Info	Notes Remarques
1	1	56000243	Back-gearred motor kit	Kit motoréducteur	3	Complete
2	1		•Back-gearred motor	•Moto-réducteur	3	0.37kW
3	1	32105829	•Back-gearred motor support	•Support motoréducteur	3	
4	4	74033001010	•Screw	•Vis	3	M6x12 20 units
5	1	32105882	•Spacer	•Entretoise	3	
6	1	32105883	•End piece	•Pignon	3	30 teeth
7	1	32105881	•Shaft	•Arbre	3	
8	1	32101644	•Key	•Clavette	3	L=30mm
9	1	32105884	•Key	•Clavette	3	L=15mm
10	1	32100993	•Key	•Clavette	3	L=12mm
11	1	32100984	•Disc	•Disque	3	21 teeth
12	1	74036801010	•Washer	•Rondelle	3	Ø8 10 units
13	1	74033007010	•Screw	•Vis	3	M8x20 10 units
14	1	32106047	•Detector support	•Support détecteur	3	
15	2	74033001010	•Screw	•Vis	3	M6x12 20 units
16	1	31000670	•Bearing washer	•Rondelle blocage palier	3	
17	1	32106046	•Rotation detection disk	•Disque détection rotation	3	
18	1	74036102010	•Elastic washer	•Rondelle Grower	3	Ø8 10 units
19	1	74033042010	•Screw	•Vis	3	M8x35 10 units
20	1	32101117	•Peg tooth	•Gueule de loup	3	
21	2	74020227020	•Ball screw	•Vis à bille	3	M5x8 20 units
22	1	32105886	•Chain adjuster axis	•Axe tendeur de chaîne	3	
23	2	74036801010	•Washer	•Rondelle	3	Ø8 10 units
24	1	74020187010	•Screw	•Vis	3	M8x65 10 units
25	1	74033254010	•Locking nut	•Erou frein	3	M8 10 units
26	1	71050247	Inductive proximity switch	Détecteur de proximité inductif	1,2	
27	1	71050227	Connector	Connecteur	1,2	L=10m 3 pole
28	1	55007112	Hand control	Commande manuelle	3	Complete
29	1	32101164	•Block plate	•Plaque de verrouillage	3	
30	1	32100042	•Bearing box	•Palier	3	
31	1	74023039	•Pin	•Goupille	3	Ø4x40
32	2	74033253020	•Cage nut	•Erou	3	M6 20 units
33	2	74033101020	•Screw	•Vis	3	M6x16 20 units
34	1	32100144	•Handle	•Manivelle	3	



IC44819 23010018-,IC44821 23010018-,IC44825 23010018-,IC44828 23010018-,IC44832 23010018-
Back-geared motor and hand control
Motoréducteur et commande manuelle

Illustration Issue Month Year
 Schéma Issue Month Year
611431/1 1 5 2013

Item Article	Qua Qua	Art.No Réf. article	Description	Description	Info Info	Notes Remarques
1	1	55014195	Back-geared motor	Motoréducteur	3	Complete
2	1	73026045	•Back-geared motor	•Motoréducteur	3	
3	1	32105829	•Back-geared motor support	•Support motoréducteur	3	
4	4	74033001010	•Screw	•Vis	3	M6x12 20 units
5	1	32106008	•Spacer	•Entretoise	3	
6	1	32105883	•End piece	•Pignon	3	30 teeth
7	1	32105881	•Shaft	•Arbre	3	
8	1	32101644	•Key	•Clavette	3	L=30mm
9	1	32105884	•Key	•Clavette	3	L=15mm
10	1	32100993	•Key	•Clavette	3	L=12mm
11	1	32100984	•Disc	•Disque	3	21 teeth
12	1	74036801010	•Washer	•Rondelle	3	Ø8 10 units
13	1	74033007010	•Screw	•Vis	3	M8x20 10 units
14	1	32100696	•Detector support	•Support détecteur	3	
15	2	74033003020	•Screw	•Vis	3	M6x20 20 units
16	1	31000670	•Bearing washer	•Rondelle blocage palier	3	
17	1	32106046	•Rotation detection disk	•Disque détection rotation	3	
18	1	74036102010	•Elastic washer	•Rondelle Grower	3	Ø8 10 units
19	1	74033613010	•Screw	•Vis	3	M8x40 10 units
20	1	32101117	•Peg tooth	•Gueule de loup	3	
21	2	74020227020	•Ball screw	•Vis à bille	3	M5x8 20 units
22	1	32105886	•Chain adjuster axis	•Axe tendeur de chaîne	3	
23	2	74036801010	•Washer	•Rondelle	3	Ø8 10 units
24	1	74020187010	•Screw	•Vis	3	M8x65 10 units
25	1	74033254010	•Locking nut	•Erou frein	3	M8 10 units
26	1	71050247	Inductive proximity switch	Détecteur de proximité inductif	1,2	
27	1	71050227	Connector	Connecteur	1,2	L=10m 3 pole
28	1	55007112	Hand control	Commande manuelle	3	Complete
29	1	32101164	•Block plate	•Plaque de verrouillage	3	
30	1	32100042	•Bearing box	•Palier	3	
31	1	74023039	•Pin	•Goupille	3	Ø4x40
32	2	74033253020	•Cage nut	•Erou	3	M6 20 units
33	2	74033101020	•Screw	•Vis	3	M6x16 20 units
34	1	32100144	•Handle	•Manivelle	3	



610765

Issue	Month	Year
01	06	04

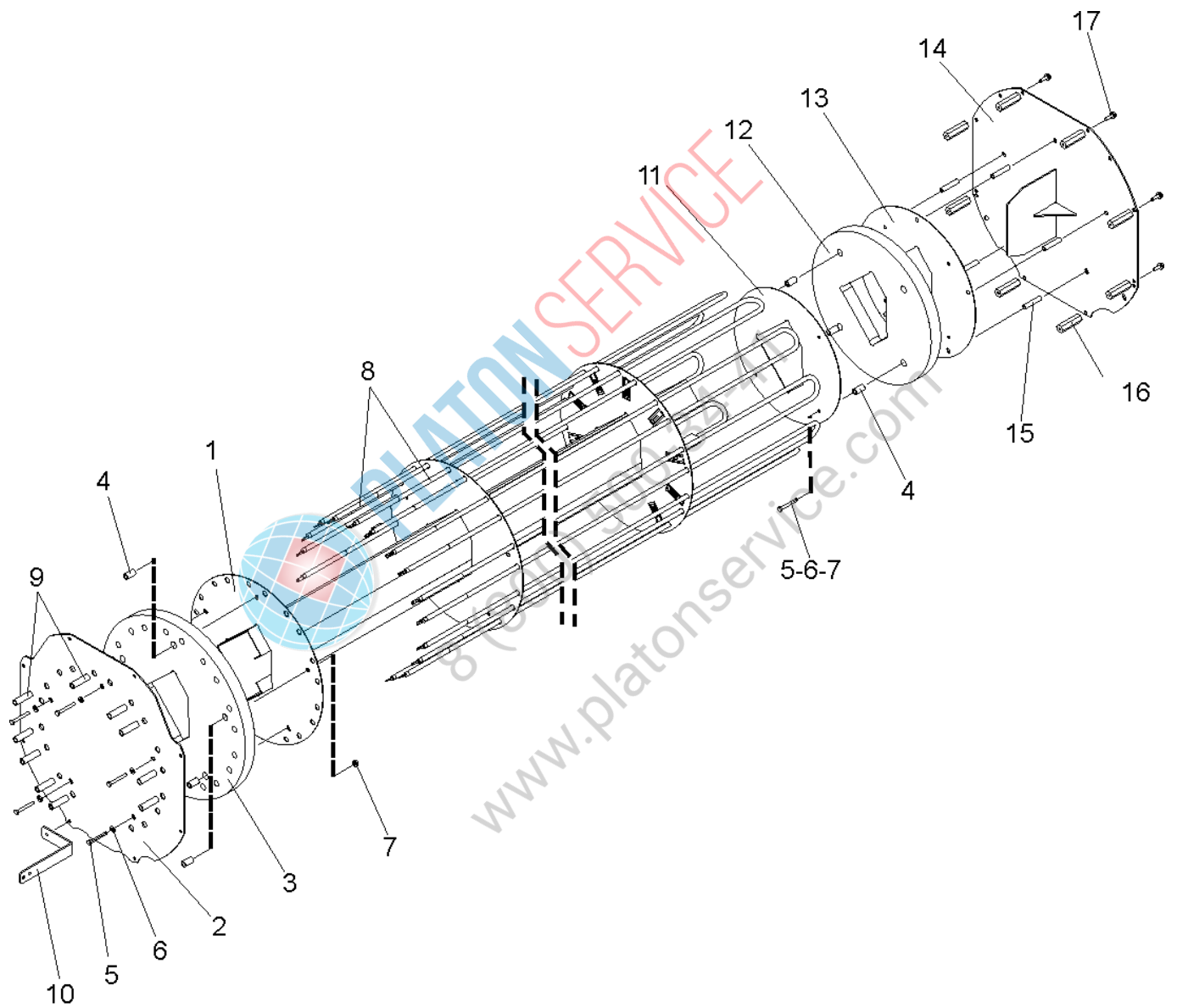
IC44819 -11710020,IC44821 -11710020,IC44825 -11710020,IC44828 -11710020,IC44832 -11910099

Electrical heating

Chauffage électrique

Illustration Issue Month Year
Schéma Issue Month Year
610765/1 2 6 2004

Item Article	Quantity Quantité	Art.No Réf. article	Description	Description	Info Info	Notes Remarques
		IC44819				
		IC44821				
		IC44825				
		IC44828				
		IC44832				
1	1	32101725	Resistors support	Support résistances	3	
	1	32101724	Resistors support	Support résistances	3	
	1	32101723	Resistors support	Support résistances	3	
	1	32101722	Resistors support	Support résistances	3	
	1	32101721	Resistors support	Support résistances	3	
2	1	32103830	End flange	Flasque extrémité	3	Left
3	9	71070155	Heating element	Résistance chauffante	1,2	3650W, 400V
	9	71070154	Heating element	Résistance chauffante	1,2	4050W, 400V
	9	71070153	Heating element	Résistance chauffante	1,2	4800W, 400V
	9	71070152	Heating element	Résistance chauffante	1,2	5200W, 400V
	9	71070151	Heating element	Résistance chauffante	1,2	5950W, 400V
4	1	32103833	Protection panel	Plaque protectrice	3	Left
5	1	75015204	Insulator	Isolant	3	Left
6	5	32100038	Spacer	Entretoise	3	
7	5	74020054	Screw	Vis	3	M6x50
8	5	74036006	Washer	Rondelle	3	Ø6
9	18	71077037	Pipe lining	Manchon de protection	3	
10	1	32104155	Cable retainer	Support de câble	3	
11	1	32104163	End flange	Flasque extrémité	3	Right
12	5	74033001	Screw	Vis	3	M6x12
13	1	32103943	Protection panel	Plaque protectrice	3	Right
14	1	75015205	Insulator	Isolant	3	Right
15	1	32103845	Protection panel	Plaque protectrice	3	Right
16	1	32103835	End flange	Flasque extrémité	3	Right
17	8	32103614	Spacer	Entretoise	3	L=60mm
18	12	74033003	Screw	Vis	3	M6x20
19	4	32100038	Spacer	Entretoise	3	
20	4	74020054	Screw	Vis	3	M6x50
21	4	32103839	Spacer	Entretoise	3	



611290

Issue	Month	Year
01	05	11

IC44819 11710021-,IC44821 11710021-,IC44825 11710021-,IC44828 11710021-,IC44832 12010001-

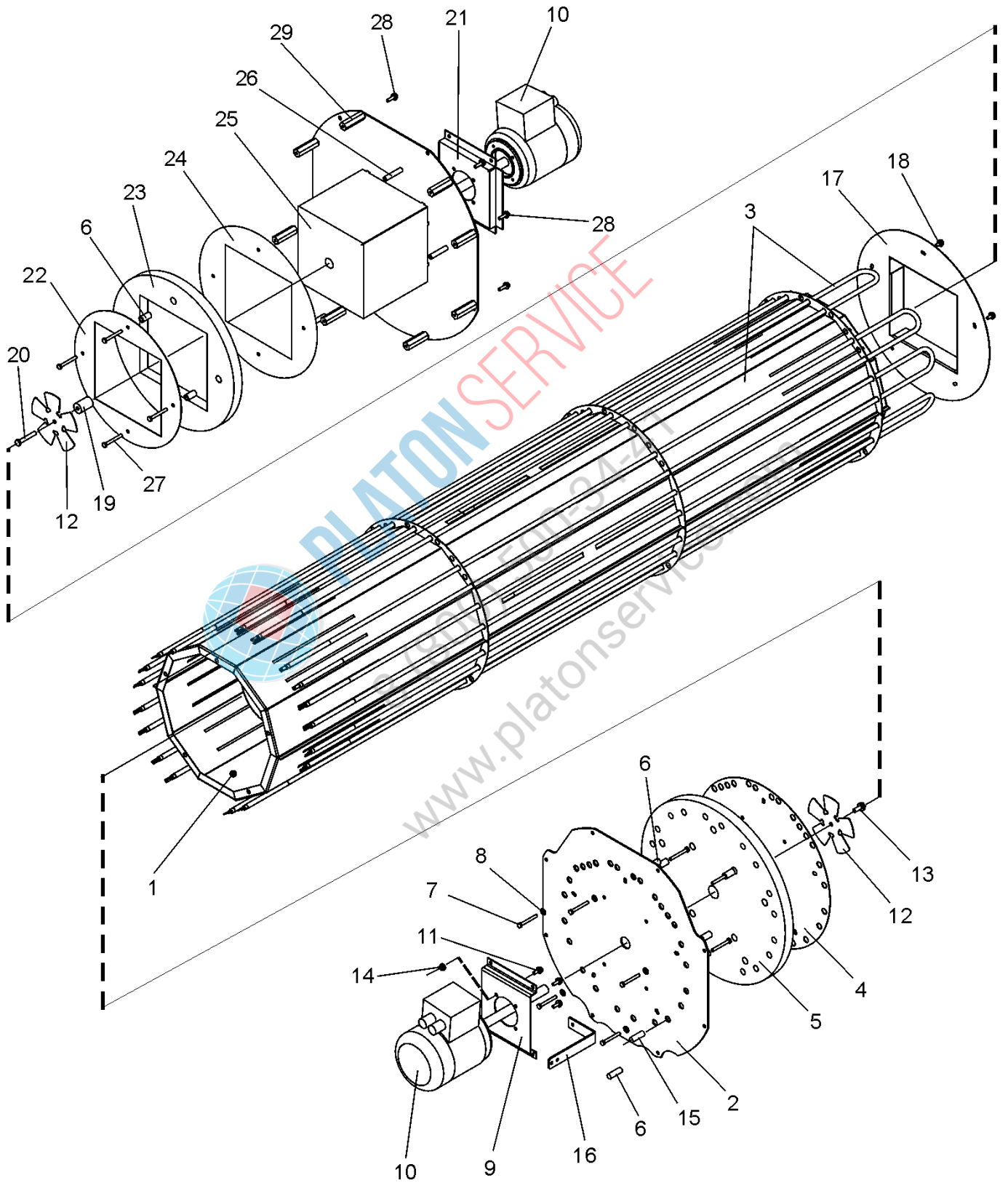
Electrical heating

Illustration Issue Month Year
Schéma Issue Month Year

Chauffage électrique

611290/1 1 5 2011

Item Article	Quantity Quantité					Art.No Réf. article	Description	Description	Info Info	Notes Remarques
	IC44819									
	IC44821									
	IC44825									
	IC44828									
	IC44832									
1	1					32105945	Resistors support	Support résistances	3	
		1				32105944	Resistors support	Support résistances	3	
			1			32105943	Resistors support	Support résistances	3	
				1		32105942	Resistors support	Support résistances	3	
					1	32105941	Resistors support	Support résistances	3	
2	1	1	1	1	1	32105958	End flange	Flasque extrémité	3	Left
3	1	1	1	1	1	75015236	Insulator	Isolant	3	Left
4	9	9	9	9	9	32100038	Spacer	Entretoise	3	
5	9	9	9	9	9	74020054020	Screw	Vis	3	M6x50 20 units
6	9	9	9	9	9	74036006020	Washer	Rondelle	3	Ø6 20 units
7	9	9	9	9	9	74033202020	Cage nut	Ecrou	3	M6 20 units
8	9					71070155	Heating element	Résistance chauffante	1,2	3650W, 400V
		9				71070154	Heating element	Résistance chauffante	1,2	4050W, 400V
			9			71070153	Heating element	Résistance chauffante	1,2	4800W, 400V
				9		71070152	Heating element	Résistance chauffante	1,2	5200W, 400V
					9	71070151	Heating element	Résistance chauffante	1,2	5950W, 400V
9	18	18	18	18	18	71077037	Pipe lining	Manchon de protection	3	
10	1	1	1	1	1	32104155	Cable retainer	Support de câble	3	
11	1	1	1	1	1	32105997	Insulator fixing flange	Flasque maintien isolant	3	Right
12	1	1	1	1	1	75015235	Insulator	Isolant	3	Right
13	1	1	1	1	1	32105939	Insulator fixing flange	Flasque maintien isolant	3	Right
14	1	1	1	1	1	32105996	End flange	Flasque extrémité	3	Right
15	5	5	5	5	5	32103839	Spacer	Entretoise	3	
16	8	8	8	8	8	32103614	Spacer	Entretoise	3	L=60mm
17	12	12	12	12	12	74033003020	Screw	Vis	3	M6x20 20 units



610766

Issue	Month	Year
01	06	04

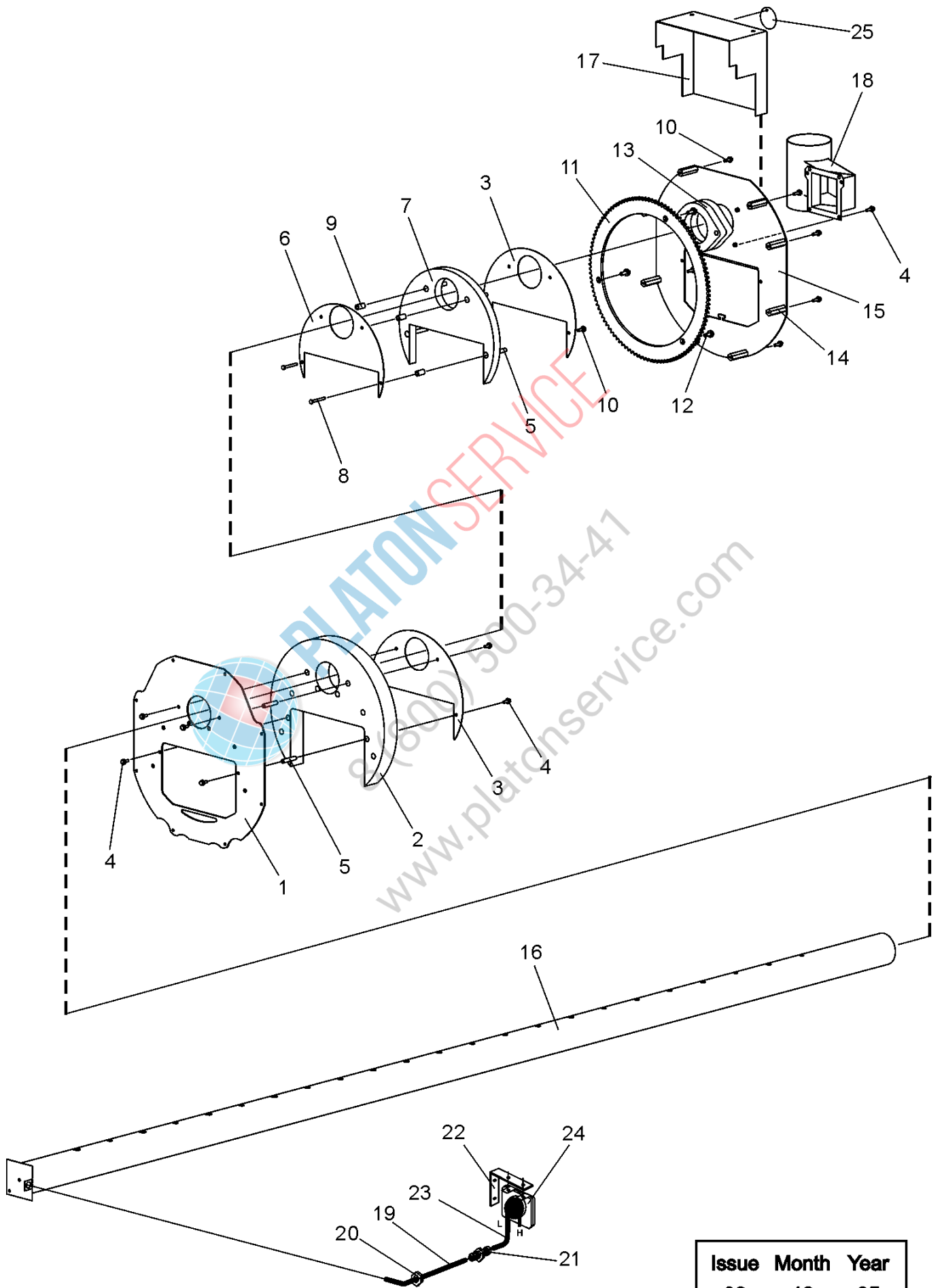
IC44819,IC44821,IC44825,IC44828,IC44832

Electric heating with air circulation

Illustration Issue Month Year
Schéma Issue Month Year
610766/1 3 10 2006

Chauffage électrique chaleur tournante

Item Article	Quantity Quantité					Art.No Réf. article	Description	Description	Info Info	Notes Remarques
	IC44819									
	IC44821									
	IC44825									
	IC44828									
	IC44832									
1	1					32101725	Resistors support	Support résistances	3	
	1					32101724	Resistors support	Support résistances	3	
		1				32101723	Resistors support	Support résistances	3	
			1			32101722	Resistors support	Support résistances	3	
				1		32101721	Resistors support	Support résistances	3	
2	1	1	1	1	1	32103931	End flange	Flasque extrémité	3	Left
3	9					71070155	Heating element	Résistance chauffante	1,2	3650W, 400V
		9				71070154	Heating element	Résistance chauffante	1,2	4050W, 400V
			9			71070153	Heating element	Résistance chauffante	1,2	4800W, 400V
				9		71070152	Heating element	Résistance chauffante	1,2	5200W, 400V
					9	71070151	Heating element	Résistance chauffante	1,2	5950W, 400V
4	1	1	1	1	1	32103833	Protection panel	Plaque protectrice	3	Left
5	1	1	1	1	1	75015204	Insulator	Isolant	3	Left
6	13	13	13	13	13	32100038	Spacer	Entretoise	3	
7	9	9	9	9	9	74020054	Screw	Vis	3	M6x50
8	5	5	5	5	5	74036006	Washer	Rondelle	3	Ø6
9	1	1	1	1	1	32100187	Motor bracket	Support moteur	3	
10	2	2	2	2	2	71014106	Motor	Moteur	3	18kW
11	8	8	8	8	8	74033002	Screw	Vis	3	M6x16
12	2	2	2	2	2	32100845	Turbine	Turbine	3	
13	1	1	1	1	1	74033007	Screw	Vis	3	M8x20
14	4	4	4	4	4	74033253	Nut	Écrou	3	M6
15	18	18	18	18	18	71077037	Pipe lining	Manchon de protection	3	
16	1	1	1	1	1	32104155	Cable retainer	Support de câble	3	
17	1	1	1	1	1	32104163	End flange	Flasque extrémité	3	Right
18	5	5	5	5	5	74033001	Screw	Vis	3	M6x12
19	1	1	1	1	1	32103941	Extension element	Rallonge	3	
20	1	1	1	1	1	74020283010	Screw	Vis	3	M8x50 10 units
21	1	1	1	1	1	32103942	Motor bracket	Support moteur	3	
22	1	1	1	1	1	32103943	Protection panel	Plaque protectrice	3	Right
23	1	1	1	1	1	75015205	Insulator	Isolant	3	Right
24	1	1	1	1	1	32103845	Protection panel	Plaque protectrice	3	Right
25	1	1	1	1	1	32103936	End flange	Flasque extrémité	3	Right
26	4	4	4	4	4	32103839	Spacer	Entretoise	3	
27	4	4	4	4	4	74020054	Screw	Vis	3	M6x50
28	16	16	16	16	16	74033003	Screw	Vis	3	M6x20
29	8	8	8	8	8	32103614	Spacer	Entretoise	3	L=60mm



610780

Issue	Month	Year
02	12	05

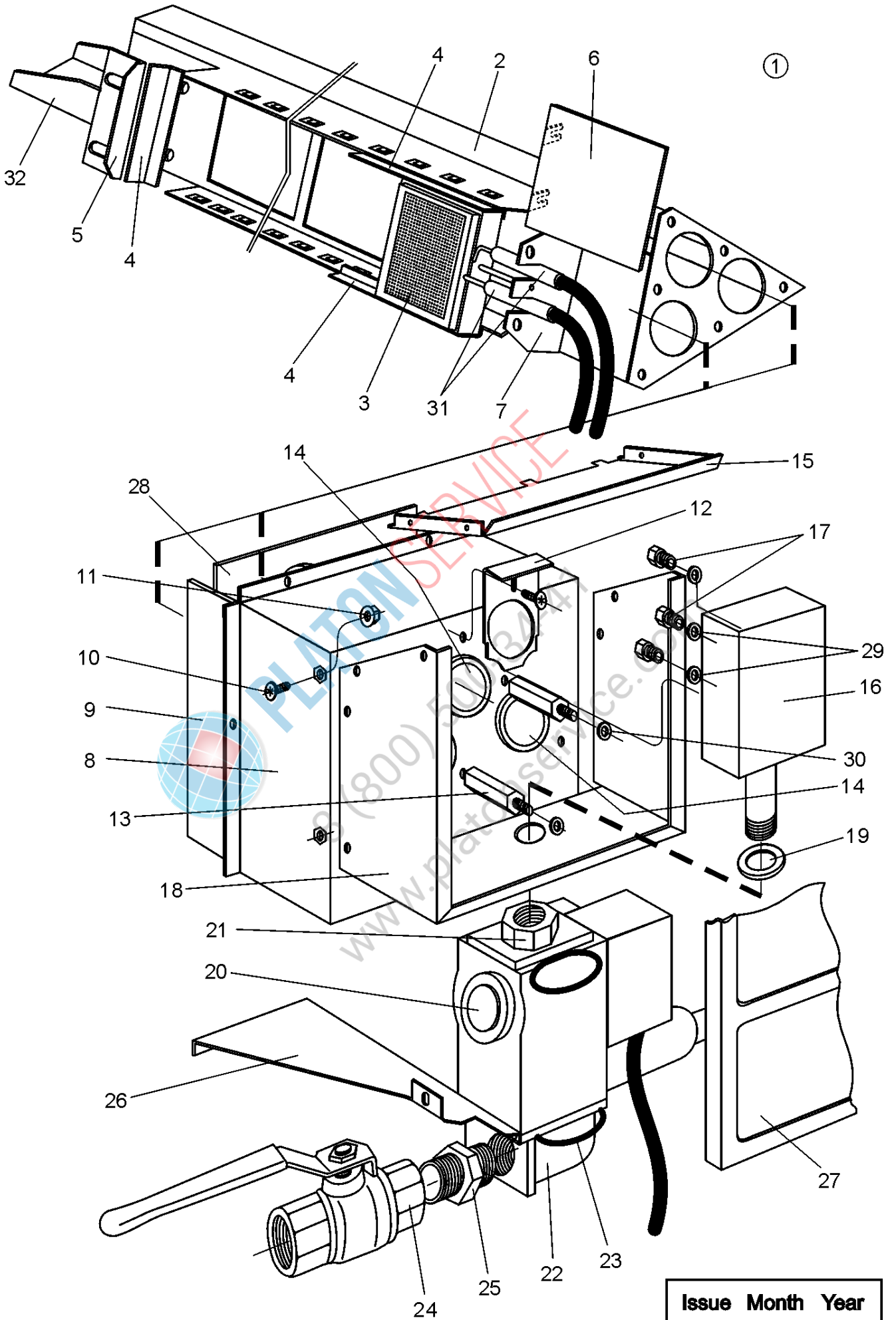
IC44819,IC44821,IC44825,IC44828,IC44832

Vapor suction gas heating

Aspiration chauffage gaz

Illustration Issue Month Year
Schéma Issue Month Year
610780/1 2 12 2005

Item Article	Quantity Quantité					Art.No Réf. article	Description	Description	Info Info	Notes Remarques
	IC44819									
	IC44821									
	IC44825									
	IC44828									
	IC44832									
1	1	1	1	1	1	32104026	End flange	Flasque extrémité	3	Left
2	1	1	1	1	1	75015206	Insulator	Isolant	3	Left
3	2	2	2	2	2	32104027	Mounting plate	Plaque de fixation	3	
4	12	12	12	12	12	74033002	Screw	Vis	3	M6x16
5	8	8	8	8	8	32103839	Spacer	Entretoise	3	
6	1	1	1	1	1	32104028	Mounting plate	Plaque de fixation	3	
7	1	1	1	1	1	75015207	Insulator	Isolant	3	Right
8	4	4	4	4	4	74020054	Screw	Vis	3	M6x50
9	4	4	4	4	4	32100038	Spacer	Entretoise	3	
10	12	12	12	12	12	74033003	Screw	Vis	3	M6x20
11	1	1	1	1	1	32103879	Disc	Disque	3	114 teeth
12	3	3	3	3	3	74033007	Screw	Vis	3	M8x20
13	2	2	2	2	2	75015208	Insulator	Isolant	3	
14	8	8	8	8	8	32103614	Spacer	Entretoise	3	L=60mm
15	1	1	1	1	1	32104025	End flange	Flasque extrémité	3	Right
16	1					32104055	Products of combustion suction tube	Tube aspiration produits combustion	3	
		1				32104054	Products of combustion suction tube	Tube aspiration produits combustion	3	
			1			32104053	Products of combustion suction tube	Tube aspiration produits combustion	3	
				1		32104052	Products of combustion suction tube	Tube aspiration produits combustion	3	
					1	32104051	Products of combustion suction tube	Tube aspiration produits combustion	3	
* 17	1	1	1	1	1	32103508	Fender waling	Capot de protection	3	-44010002
* 18	1	1	1	1	1	32105724	Fender waling	Capot de protection	3	44010003-ill. 610776
19	1	1	1	1	1	32103504	Tee-square	Té	3	
20	1	1	1	1	1	32101099	Branch pipe	Tube de raccordement	3	
21	1	1	1	1	1	31003509	Opening in partition	Traversée de cloison	3	G1/8"
22	1	1	1	1	1	32006860	Right connection	Piquage droit	3	
23	1	1	1	1	1	32101098	Pressure switch support	Support pressostat	3	
24	1	1	1	1	1	72046136	Polyamide pipe	Tube polyamide	3	Ø6x8 by meter
25	1	1	1	1	1	72060062	Pressostat	Pressostat	1,2	
						32104516	Protective plug	Obturateur de protection	3	



610768

Issue	Month	Year
01	06	04

IC44819 -62900016,IC44821 -62900016,IC44825 -62900016,IC44828 -62900016,IC44832 -62900016

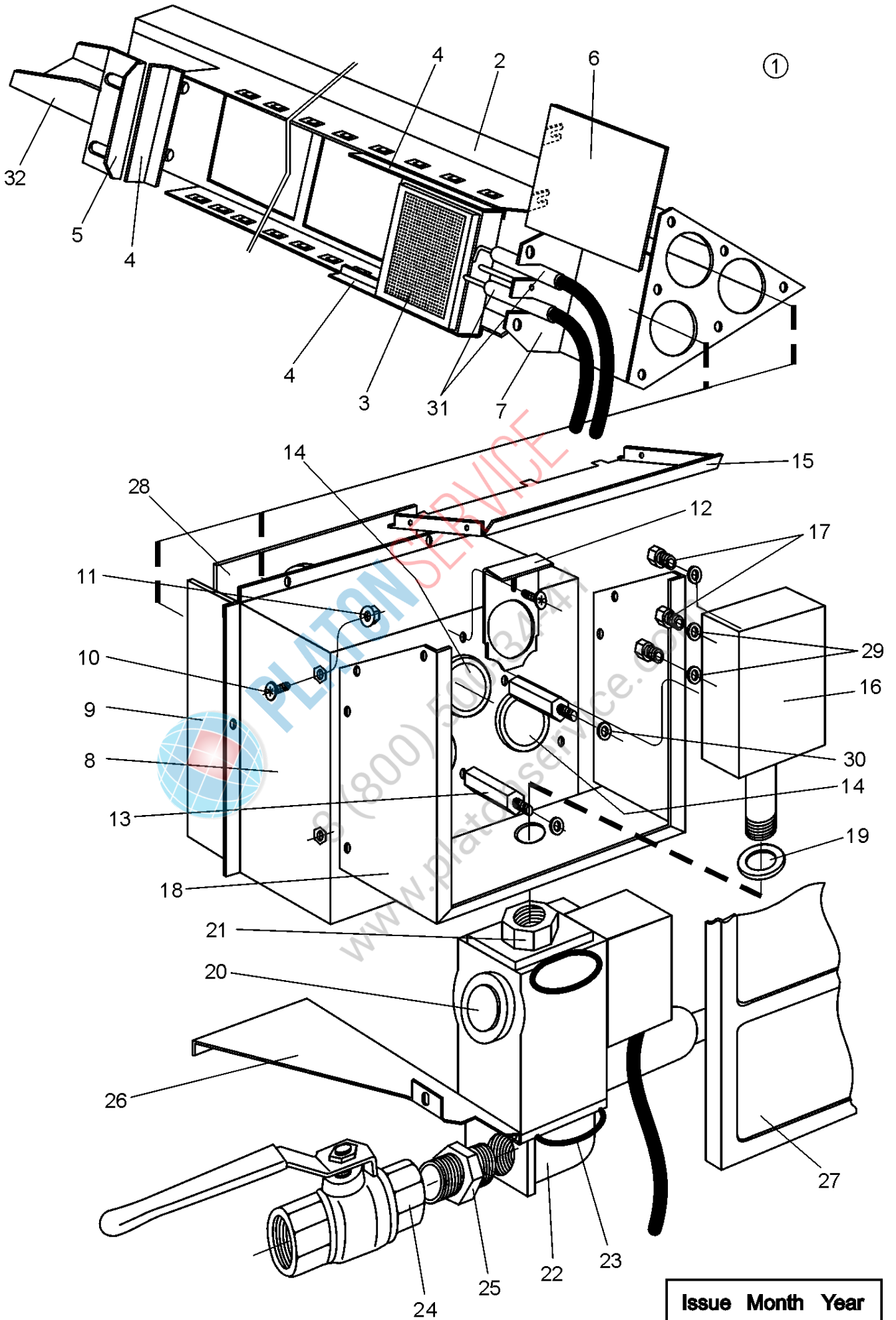
Gas heating

Illustration Issue Month Year
Schéma Issue Month Year

Chauffage gaz

610768/1 2 6 2004

Item Article	Quantity Quantité						Art.No Réf. article	Description	Description	Info Info	Notes Remarques
	IC44819										
	IC44821										
	IC44825										
	IC44828										
	IC44832										
1	1						55008022 Gas pipe burner	Rampe à gaz	1,2	Complete	
		1					55008183 Gas pipe burner	Rampe à gaz	1,2	Complete	
			1				55008021 Gas pipe burner	Rampe à gaz	1,2	Complete	
				1			55008182 Gas pipe burner	Rampe à gaz	1,2	Complete	
					1		55007166 Gas pipe burner	Rampe à gaz	1,2	Complete	
2	1						32100495 •Pipe body burner	•Corps de rampe	3		
		1					32100494 •Pipe body burner	•Corps de rampe	3		
			1				32100493 •Pipe body burner	•Corps de rampe	3		
				1			32100492 •Pipe body burner	•Corps de rampe	1,2		
					1		32100491 •Pipe body burner	•Corps de rampe	3		
3	22	25	31	34	39		72051209 •Ceramic plate	•Plaque céramique	1,2		
4	1	1	1	1	1		73016210010 •Glass fibre tape	•Ruban à fibre de verre	1,2	L=10m High temperature	
5	1	1	1	1	1		32100453 •Edging	•Cornière	3		
6	1	1	1	1	1		32100663 •Fender waling	•Capot de protection	3		
7	1	1	1	1	1		32100452 •Electrode support	•Support électrode	3		
8	1	1	1	1	1		32100668 •Rail	•Support	3		
9	3	3	3	3	3		73016165 •Insulator	•Isolant	3		
10	18	18	18	18	18		74033101 •Screw	•Vis	3	M6x16	
11	4	4	4	4	4		74011002 •Nut	•Écrou	1,2	M6	
12	1	1	1	1	1		32100460 •Fixation leg	•Patte de fixation	3		
13	3	3	3	3	3		32100669 •Spacer	•Entretoise	3		
14	3	3	3	3	3		72051212 •Venturi	•Venturi	3		
15	1	1	1	1	1		32100457 •Hood	•Capot	3	Upper	
16	1	1	1	1	1		32100454 •Feeding tank	•Nourrice	3		
17	3						72051220 •Injector	•Injecteur	1,2	Ø1.60mm	
	3	3					72051219 •Injector	•Injecteur	1,2	Ø1.70mm	
		3					72051213 •Injector	•Injecteur	1,2	Ø1.80mm	
	3		3				72051221 •Injector	•Injecteur	1,2	Ø1.85mm	
		3					72051218 •Injector	•Injecteur	1,2	Ø1.95mm	
			3	3			72051217 •Injector	•Injecteur	1,2	Ø2.00mm	
				3	3		72051214 •Injector	•Injecteur	1,2	Ø2.05mm	
					3		72051215 •Injector	•Injecteur	1,2	Ø2.10mm	
						3	72051216 •Injector	•Injecteur	1,2	Ø2.20mm	
							72051202 •Injector	•Injecteur	1,2	Ø2.30mm	
	3						72051223 •Injector	•Injecteur	1,2	Ø3.30mm	
		3					72051227 •Injector	•Injecteur	1,2	Ø3.40mm	
			3				72051224 •Injector	•Injecteur	1,2	Ø3.70mm	
				3			72051225 •Injector	•Injecteur	1,2	Ø3.80mm	
					3		72051226 •Injector	•Injecteur	1,2	Ø4.00mm	
18	1	1	1	1	1		32100458 •Filter casing	•Carter de filtre	3		
19	1	1	1	1	1		71075018 •Grommet	•Passe-fil	3	Ø37mm	
20	1	1	1	1	1		72011143 •Electrovalve block	•Bloc électrovanne	1,2		
21	1	1	1	1	1		72011144 •Right flange	•Bride droite	1,2	G3/4"	
22	1	1	1	1	1		72011145 •Elbowed flange	•Bride coudée	1,2	G3/4"	
23	2	2	2	2	2		72011148 •O-ring	•Joint torique	1,2		
24	1	1	1	1	1		72010081 •Tap	•Robinet	1,2	G3/4"	
25	1	1	1	1	1		31100796 •Joint nipple	•Mamelon de raccord	3	G3/4"	
26	1	1	1	1	1		32100464 •Tap stop lever	•Patte de verrouillage	3		
27	1	1	1	1	1		32101946 •Strainer	•Filtre	3		
28	1	1	1	1	1		73016168 •Insulator	•Isolant	1,2		
29	3	3	3	3	3		72052063 •Seal	•Joint	1,2		
30	3	3	3	3	3		74036006 •Washer	•Rondelle	3	Ø6	
31	1	1	1	1	1		55013319 Igniter kit	Kit allumeur	1,2	RV0541 ill. 610769	

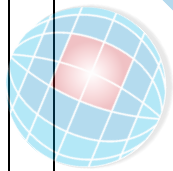


610768

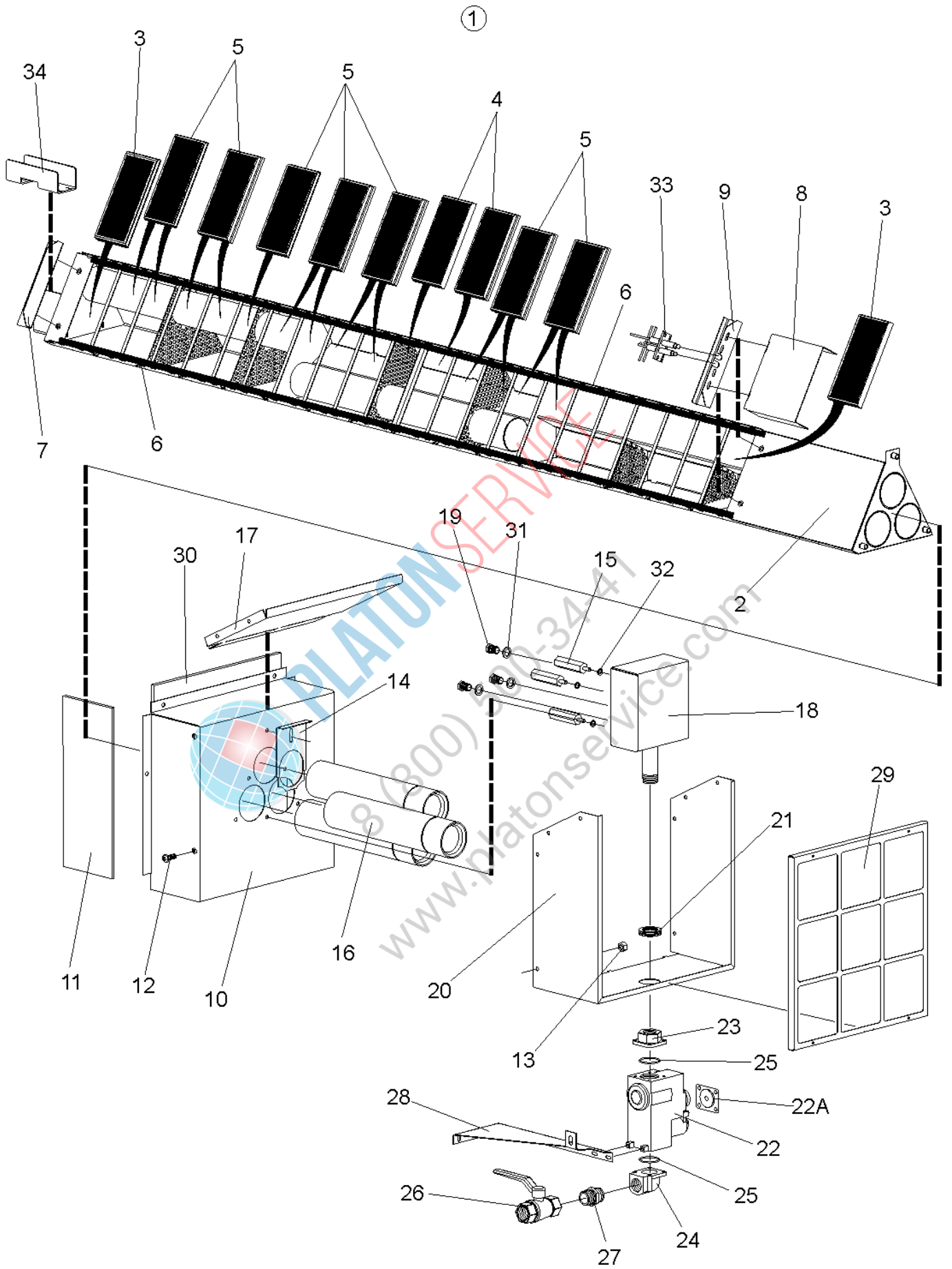
Issue	Month	Year
01	06	04

IC44819 -62900016,IC44821 -62900016,IC44825 -62900016,IC44828 -62900016,IC44832 -62900016
Gas heating Illustration Issue Month Year
Chauffage gaz Schéma Issue Month Year
610768/1 2 6 2004

Item Article	Quantity Quantité	Art.No Réf. article	Description	Description	Info Info	Notes Remarques
32	1	IC44819	32104112 Extension element	Rallonge	3	
	1	IC44821				
	1	IC44825				
	1	IC44828				
	1	IC44832				
	1					



PLATON SERVICE
 8 (800) 500-34-47
 www.platonservice.com



IC44819 62900017-,IC44821 62900017-,IC44825 62900017-,IC44828 62900017-,IC44832 62900017-

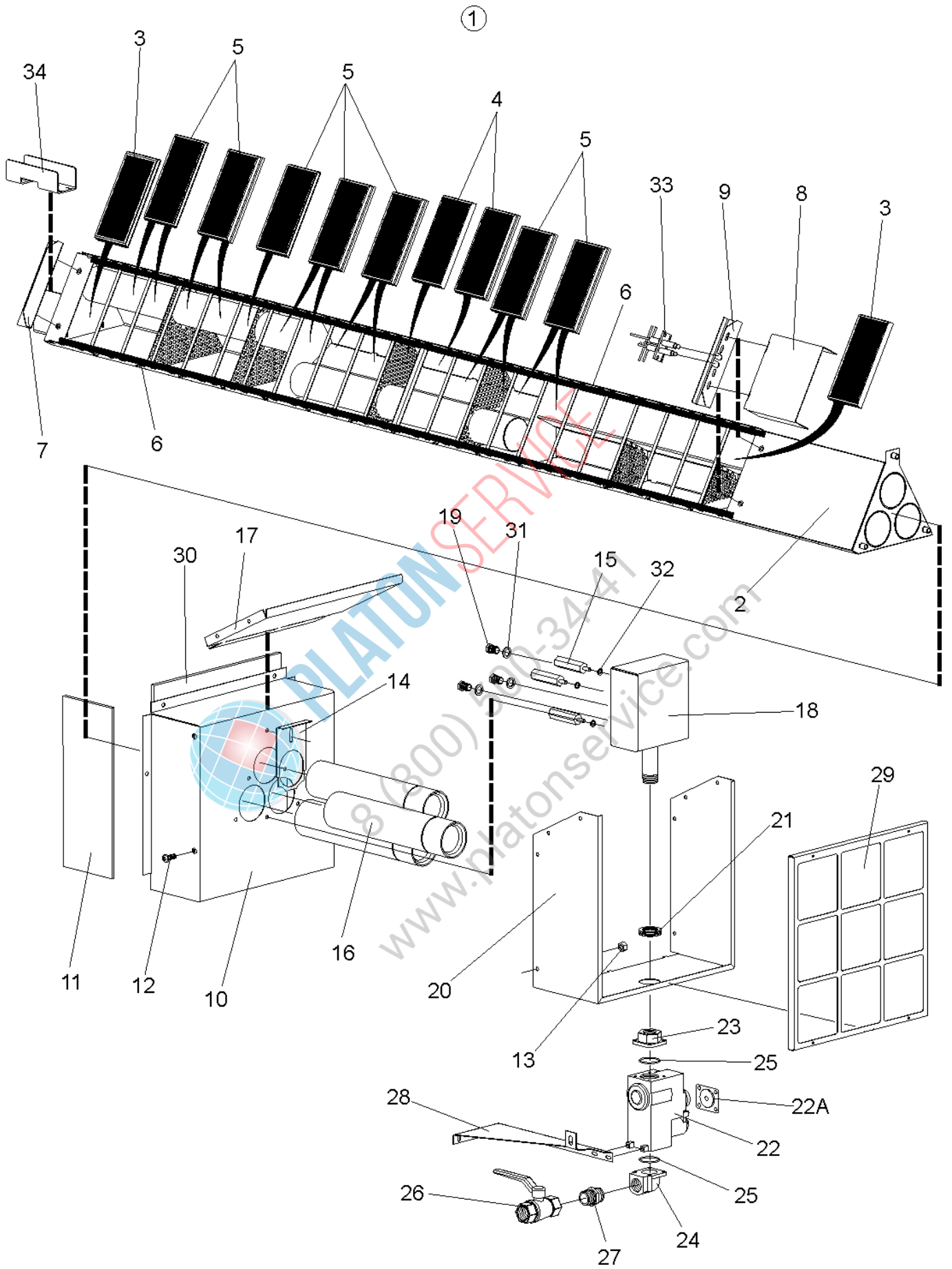
Gas heating

Illustration Issue Month Year
Schéma Issue Month Year

Chauffage gaz

611027/1 4 6 2008

Item Article	Quantity Quantité						Art.No Réf. article	Description	Description	Info Info	Notes Remarques
	IC44819										
	IC44821										
	IC44825										
	IC44828										
	IC44832										
1	1						55008022 Gas pipe burner	Rampe à gaz	1,2	Complete	
		1					55008183 Gas pipe burner	Rampe à gaz	1,2	Complete	
			1				55008021 Gas pipe burner	Rampe à gaz	1,2	Complete	
				1			55008182 Gas pipe burner	Rampe à gaz	1,2	Complete	
					1		55007166 Gas pipe burner	Rampe à gaz	1,2	Complete	
2	1						32100495 •Pipe body burner	•Corps de rampe	3		
		1					32100494 •Pipe body burner	•Corps de rampe	3		
			1				32100493 •Pipe body burner	•Corps de rampe	3		
				1			32100492 •Pipe body burner	•Corps de rampe	1,2		
					1		32100491 •Pipe body burner	•Corps de rampe	3		
3	2	2	2	2	2		72051253 •Ceramic plate	•Plaque céramique	1,2		
4	2	2	2	2	2		72051252 •Ceramic plate	•Plaque céramique	1,2		
5	18	21	27	30	35		72051254 •Ceramic plate	•Plaque céramique	1,2		
6	1	1	1	1	1		73016210010 •Glass fibre tape	•Ruban à fibre de verre	1,2	L=10m High temperature	
7	1	1	1	1	1		32100453 •Edging	•Cornière	3		
8	1	1	1	1	1		32100663 •Fender waling	•Capot de protection	3	-65000001	
	1	1	1	1	1		32105049 •Fender waling	•Capot de protection	3		
65000002-24610014											
9	1	1	1	1	1		32106121 •Fender waling	•Capot de protection	3	24610015-	
	1	1	1	1	1		32100452 •Electrode support	•Support électrode	3	-65000001	
	1	1	1	1	1		32105048 •Electrode support	•Support électrode	3		
65000002-24610014											
10	1	1	1	1	1		32106120 •Electrode support	•Support électrode	3	24610015-	
	1	1	1	1	1		32100668 •Rail	•Support	3		
11	3	3	3	3	3		73016165 •Insulator	•Isolant	3		
12	18	18	18	18	18		74033101 •Screw	•Vis	3	M6x16	
13	4	4	4	4	4		74011002 •Nut	•Écrou	1,2	M6	
14	1	1	1	1	1		32100460 •Fixation leg	•Patte de fixation	3		
15	3	3	3	3	3		32100669 •Spacer	•Entretoise	3	-81000037	
	3	3	3	3	3		32105253 •Spacer	•Entretoise	3	81000038-	
16	3	3	3	3	3		72051212 •Venturi	•Venturi	3		
17	1	1	1	1	1		32100457 •Hood	•Capot	3	Upper	
18	1	1	1	1	1		32100454 •Feeding tank	•Nourrice	3	-81000037	
	1	1	1	1	1		32105254 •Feeding tank	•Nourrice	3	81000038-	
19	3						72051219 •Injector	•Injecteur	1,2	Ø1.70mm	
	3						72051221 •Injector	•Injecteur	1,2	Ø1.85mm	
	3						72051223 •Injector	•Injecteur	1,2	Ø3.30mm	
		3					72051213 •Injector	•Injecteur	1,2	Ø1.80mm	
		3					72051218 •Injector	•Injecteur	1,2	Ø1.95mm	
		3					72051227 •Injector	•Injecteur	1,2	Ø3.40mm	
			3				72051217 •Injector	•Injecteur	1,2	Ø2.00mm	
				3			72051224 •Injector	•Injecteur	1,2	Ø3.70mm	
					3		72051215 •Injector	•Injecteur	1,2	Ø2.10mm	
						3	72051214 •Injector	•Injecteur	1,2	Ø2.05mm	
						3	72051216 •Injector	•Injecteur	1,2	Ø2.20mm	
						3	72051225 •Injector	•Injecteur	1,2	Ø3.80mm	
						3	72051202 •Injector	•Injecteur	1,2	Ø2.30mm	
						3	72051226 •Injector	•Injecteur	1,2	Ø4.00mm	
20	1	1	1	1	1		32100458 •Filter casing	•Carter de filtre	3		
21	1	1	1	1	1		71075018 •Grommet	•Passe-fil	3	Ø37mm	
22	1	1	1	1	1		72011143 •Electrovalve block	•Bloc électrovanne	1,2		
22A	1	1	1	1	1		72011120 •Conversion plate	•Plaque de conversion	1,2	Gaz Butane & Propane	
23	1	1	1	1	1		72011144 •Right flange	•Bride droite	1,2	G3/4"	



611027

Issue	Month	Year
01	10	06

IC44819 62900017-,IC44821 62900017-,IC44825 62900017-,IC44828 62900017-,IC44832 62900017-

Gas heating

Illustration Issue Month Year
Schéma Issue Month Year

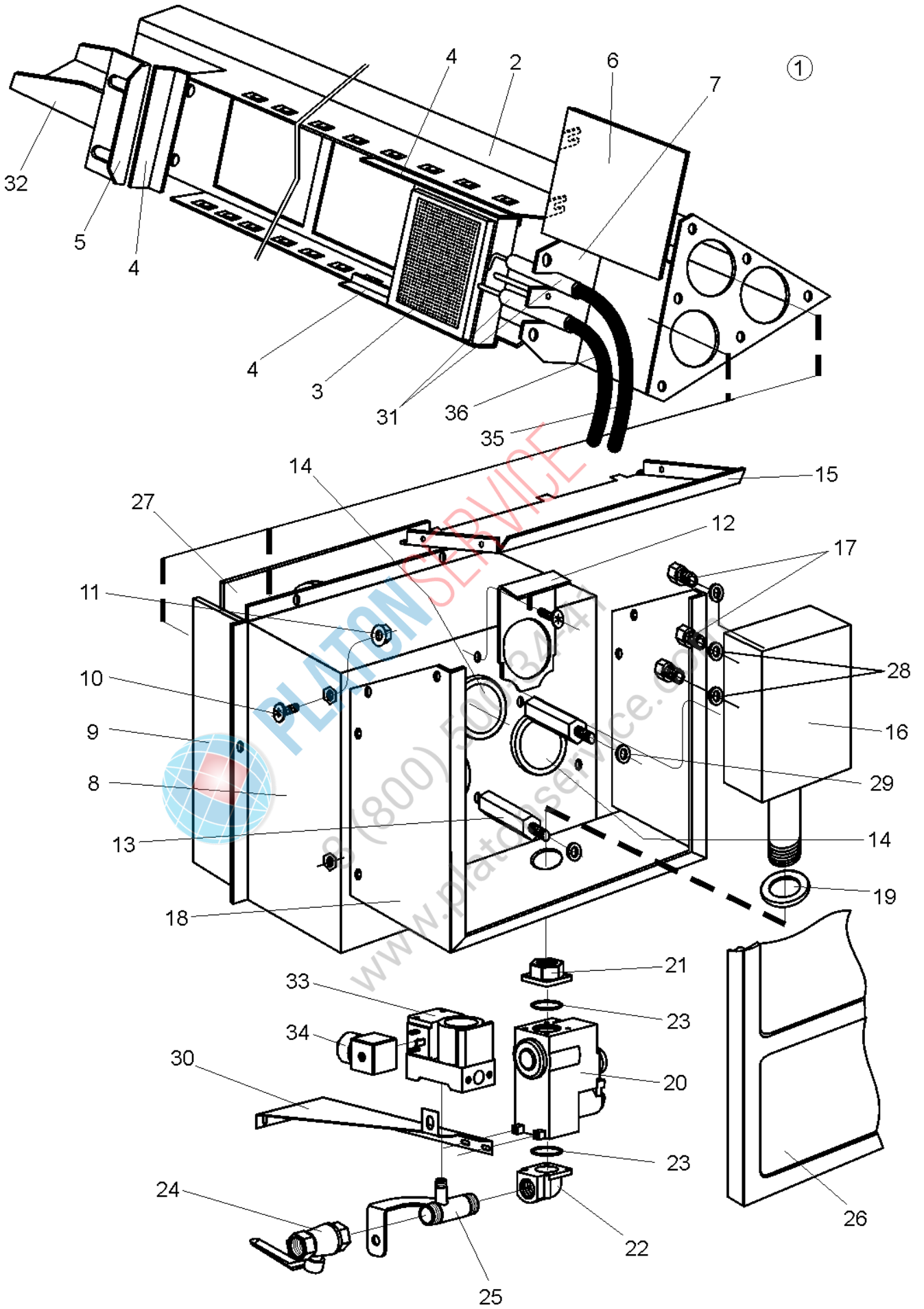
Chauffage gaz

611027/1 4 6 2008

Item Article	Quantity Quantité					Art.No Réf. article	Description	Description	Info Info	Notes Remarques
	IC44819									
	IC44821									
	IC44825									
	IC44828									
	IC44832									
25	2	2	2	2	2	72011148	•O-ring	•Joint torique	1,2	
26	1	1	1	1	1	72010081	•Tap	•Robinet	1,2	G3/4"
27	1	1	1	1	1	31100796	•Joint nipple	•Mamelon de raccord	3	G3/4"
28	1	1	1	1	1	32100464	•Tap stop lever	•Patte de verrouillage	3	
29	1	1	1	1	1	32101946	•Strainer	•Filtre	3	
30	1	1	1	1	1	73016168	•Insulator	•Isolant	1,2	
31	3	3	3	3	3	72052063	•Seal	•Joint	1,2	
32	3	3	3	3	3	74036006	•Washer	•Rondelle	3	Ø6
33	1	1	1	1	1	55013319	Igniter kit	Kit allumeur	1,2	RV0541 ill. 610769 -65000001 ill. 611045 65000002-
	1	1	1	1	1	71088049	Electrode	Electrode	1,2	
34	1	1	1	1	1	32104112	Extension element	Rallonge	3	



PLATON SERVICE
8 (800) 500-34-11
www.platonservice.com



IC44819 -62900016,IC44821 -62900016,IC44825 -62900016,IC44828 -62900016,IC44832 -62900016

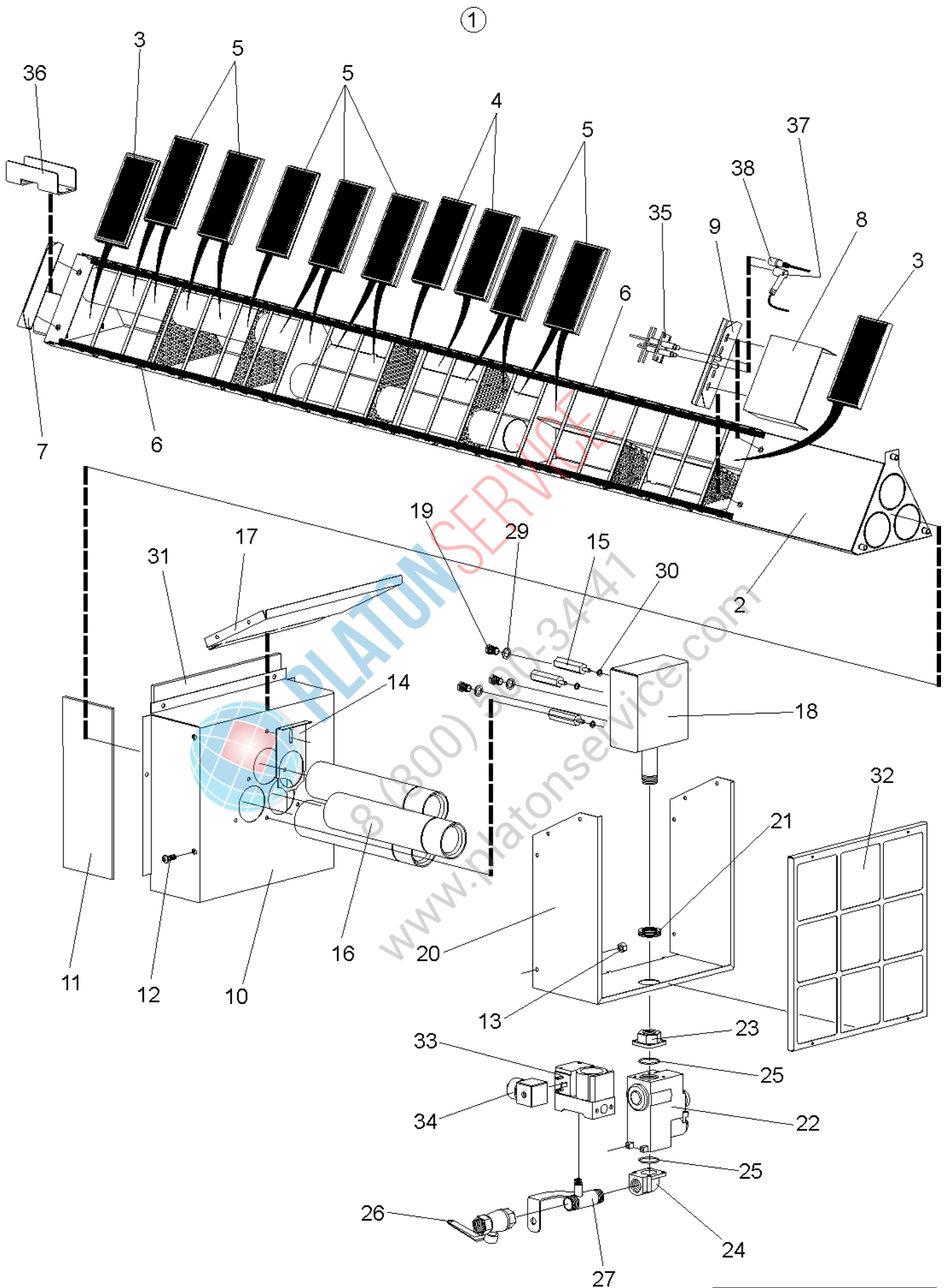
Gas heating - Australia

Illustration Issue Month Year
Schéma Issue Month Year

Chauffage gaz - Australie

610587/1 2 6 2004

Item Article	Quantity Quantité					Art.No Réf. article	Description	Description	Info Info	Notes Remarques
	IC44819									
	IC44821									
	IC44825									
	IC44828									
	IC44832									
1	1					55010056	Gas pipe burner	Rampe à gaz	1,2	Complete
		1				55011053	Gas pipe burner	Rampe à gaz	1,2	Complete
			1			55009926	Gas pipe burner	Rampe à gaz	1,2	Complete
				1		55011050	Gas pipe burner	Rampe à gaz	1,2	Complete
					1	55009979	Gas pipe burner	Rampe à gaz	1,2	Complete
2	1					32100495	•Pipe body burner	•Corps de rampe	3	
		1				32100494	•Pipe body burner	•Corps de rampe	3	
			1			32100493	•Pipe body burner	•Corps de rampe	3	
				1		32100492	•Pipe body burner	•Corps de rampe	1,2	
					1	32100491	•Pipe body burner	•Corps de rampe	3	
3	22	25	31	34	39	72051209	•Ceramic plate	•Plaque céramique	1,2	
4	1	1	1	1	1	73016210010	•Glass fibre tape	•Ruban à fibre de verre	1,2	L=10m High temperature
5	1	1	1	1	1	32100453	•Edging	•Cornière	3	
6	1	1	1	1	1	32100663	•Fender waling	•Capot de protection	3	
7	1	1	1	1	1	32100452	•Electrode support	•Support électrode	3	
8	1	1	1	1	1	32100668	•Rail	•Support	3	
9	3	3	3	3	3	73016165	•Insulator	•Isolant	3	
10	18	18	18	18	18	74033101	•Screw	•Vis	3	M6x16
11	4	4	4	4	4	74011002	•Nut	•Écrou	1,2	M6
12	1	1	1	1	1	32100460	•Fixation leg	•Patte de fixation	3	
13	3	3	3	3	3	32100669	•Spacer	•Entretoise	3	
14	3	3	3	3	3	72051212	•Venturi	•Venturi	3	
15	1	1	1	1	1	32100457	•Hood	•Capot	3	Upper
16	1	1	1	1	1	32100454	•Feeding tank	•Nourrice	3	
17	3					72051223	•Injector	•Injecteur	1,2	Ø3.30mm
		3				72051227	•Injector	•Injecteur	1,2	Ø3.40mm
			3			72051224	•Injector	•Injecteur	1,2	Ø3.70mm
				3		72051225	•Injector	•Injecteur	1,2	Ø3.80mm
					3	72051226	•Injector	•Injecteur	1,2	Ø4.00mm
18	1	1	1	1	1	32100458	•Filter casing	•Carter de filtre	3	
19	1	1	1	1	1	71075018	•Grommet	•Passe-fil	3	Ø37mm
20	1	1	1	1	1	72011143	•Electrovalve block	•Bloc électrovanne	1,2	
21	1	1	1	1	1	72011144	•Right flange	•Bride droite	1,2	G3/4"
22	1	1	1	1	1	72011145	•Elbowed flange	•Bride coudée	1,2	G3/4"
23	2	2	2	2	2	72011148	•O-ring	•Joint torique	1,2	
24	1	1	1	1	1	72010102	•Tap	•Robinet	1,2	G3/4"
25	1	1	1	1	1	32103825	•T-pipe	•Tube en T	3	
26	1	1	1	1	1	32101946	•Strainer	•Filtre	3	
27	1	1	1	1	1	73016168	•Insulator	•Isolant	1,2	
28	3	3	3	3	3	72052063	•Seal	•Joint	1,2	
29	3	3	3	3	3	74036006	•Washer	•Rondelle	3	Ø6
30	1	1	1	1	1	32100464	Tap stop lever	Patte de verrouillage	3	
31	1	1	1	1	1	71088036	Electrode	Électrode	1,2	ill. 610769
32	1	1	1	1	1	32104112	Extension element	Rallonge	3	
33	1	1	1	1	1	72060075	Pressostat	Pressostat	3	
34	1	1	1	1	1	71074255	Connector	Connecteur	3	
35	1	1	1	1	1	32106108	Spark plug cable	Câble allumage	1,2	
36	1	1	1	1	1	32106109	Flame control cable	Câble de contrôle flamme	1,2	



Issue	Month	Year
02	05	09

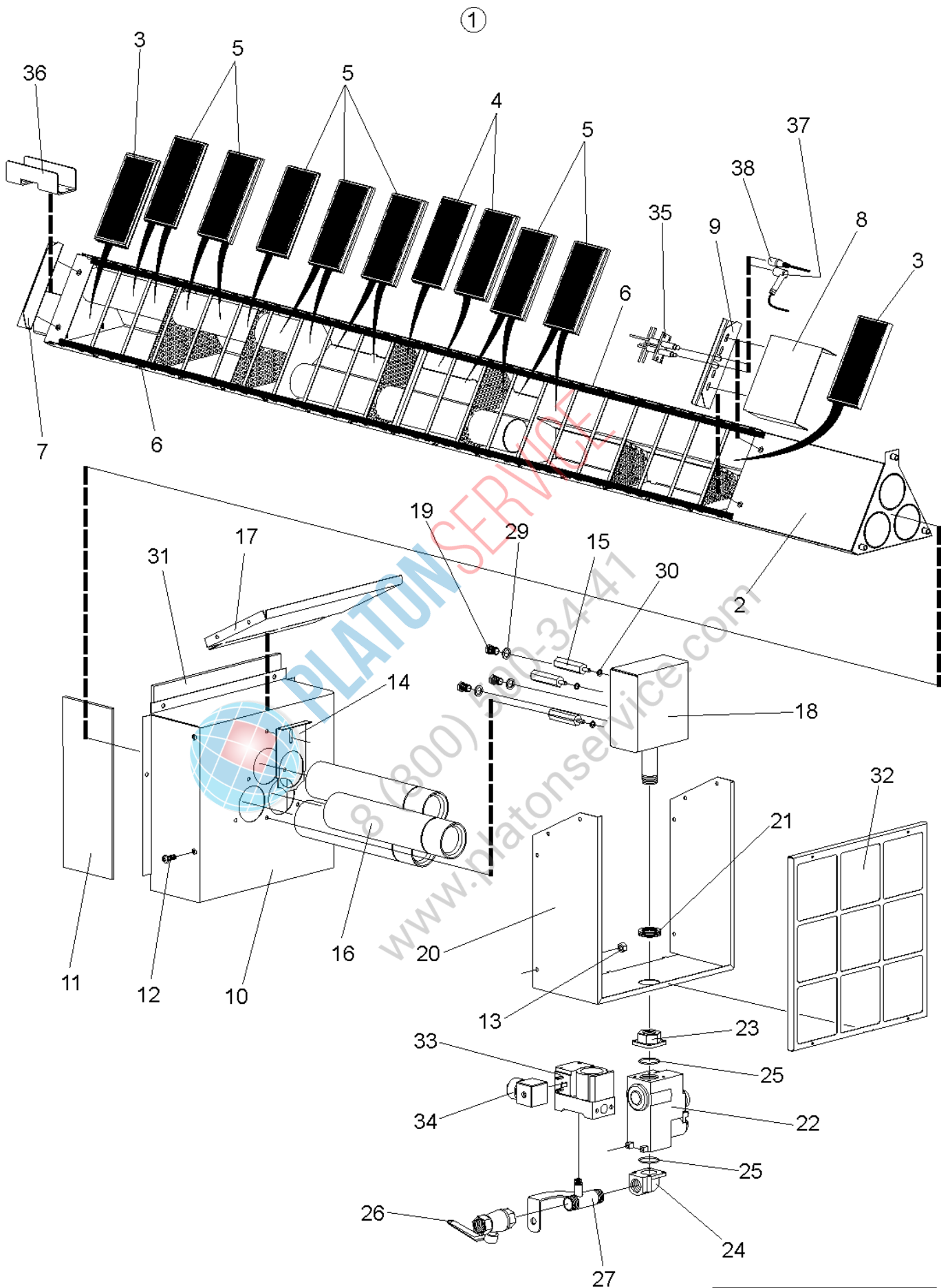
IC44819 62900017-,IC44821 62900017-,IC44825 62900017-,IC44828 62900017-,IC44832 62900017-

Gas heating - Australia

Illustration Issue Month Year
Schéma Issue Month Year
611028/2 5 5 2009

Chauffage gaz - Australie

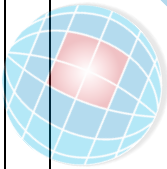
Item Article	Quantity Quantité					Art.No Réf. article	Description	Description	Info Info	Notes Remarques
	IC44819									
	IC44821									
	IC44825									
	IC44828									
	IC44832									
1	1					55010056	Gas pipe burner	Rampe à gaz	1,2	Complete
		1				55011053	Gas pipe burner	Rampe à gaz	1,2	Complete
			1			55009926	Gas pipe burner	Rampe à gaz	1,2	Complete
				1		55011050	Gas pipe burner	Rampe à gaz	1,2	Complete
					1	55009979	Gas pipe burner	Rampe à gaz	1,2	Complete
2	1					32100495	•Pipe body burner	•Corps de rampe	3	
		1				32100494	•Pipe body burner	•Corps de rampe	3	
			1			32100493	•Pipe body burner	•Corps de rampe	3	
				1		32100492	•Pipe body burner	•Corps de rampe	1,2	
					1	32100491	•Pipe body burner	•Corps de rampe	3	
3	2	2	2	2		72051253	•Ceramic plate	•Plaque céramique	1,2	
4	2	2	2	2		72051252	•Ceramic plate	•Plaque céramique	1,2	
5	18	21	27	30	35	72051254	•Ceramic plate	•Plaque céramique	1,2	
6	1	1	1	1	1	73016210010	•Glass fibre tape	•Ruban à fibre de verre	1,2	L=10m High temperature
7	1	1	1	1	1	32100453	•Edging	•Cornière	3	
8	1	1	1	1	1	32100663	•Fender waling	•Capot de protection	3	-24610014
	1	1	1	1	1	32106121	•Fender waling	•Capot de protection	3	24610015-
9	1	1	1	1	1	32100452	•Electrode support	•Support électrode	3	-24610014
	1	1	1	1	1	32106123	•Electrode support	•Support électrode	3	24610015-
10	1	1	1	1	1	32100668	•Rail	•Support	3	
11	3	3	3	3	3	73016165	•Insulator	•Isolant	3	
12	18	18	18	18	18	74033101	•Screw	•Vis	3	M6x16
13	4	4	4	4	4	74011002	•Nut	•Écrou	1,2	M6
14	1	1	1	1	1	32100460	•Fixation leg	•Patte de fixation	3	
15	3	3	3	3	3	32100669	•Spacer	•Entretoise	3	-81000037
	3	3	3	3	3	32105253	•Spacer	•Entretoise	3	81000038-
16	3	3	3	3	3	72051212	•Venturi	•Venturi	3	
17	1	1	1	1	1	32100457	•Hood	•Capot	3	Upper
18	1	1	1	1	1	32100454	•Feeding tank	•Nourrice	3	-81000037
	1	1	1	1	1	32105254	•Feeding tank	•Nourrice	3	81000038-
19	3					72051223	•Injector	•Injecteur	1,2	Ø3.30mm
		3				72051227	•Injector	•Injecteur	1,2	Ø3.40mm
			3			72051224	•Injector	•Injecteur	1,2	Ø3.70mm
				3		72051225	•Injector	•Injecteur	1,2	Ø3.80mm
					3	72051226	•Injector	•Injecteur	1,2	Ø4.00mm
20	1	1	1	1	1	32100458	•Filter casing	•Carter de filtre	3	
21	1	1	1	1	1	71075018	•Grommet	•Passe-fil	3	Ø37mm
22	1	1	1	1	1	72011143	•Electrovalve block	•Bloc électrovanne	1,2	
23	1	1	1	1	1	72011144	•Right flange	•Bride droite	1,2	G3/4"
24	1	1	1	1	1	72011145	•Elbowed flange	•Bride coudée	1,2	G3/4"
25	2	2	2	2	2	72011148	•O-ring	•Joint torique	1,2	
26	1	1	1	1	1	72010102	•Tap	•Robinet	1,2	G3/4"
27	1	1	1	1	1	32103825	•T-pipe	•Tube en T	3	
28										Not used
29	3	3	3	3	3	72052063	•Seal	•Joint	1,2	
30	3	3	3	3	3	74036006	•Washer	•Rondelle	3	Ø6
31	1	1	1	1	1	73016168	•Insulator	•Isolant	1,2	
32	1	1	1	1	1	32101946	•Strainer	•Filtre	3	
33	1	1	1	1	1	72060075	•Pressostat	•Pressostat	3	
34	1	1	1	1	1	71074255	Connector	Connecteur	3	
35	1	1	1	1	1	71088036	Electrode	Électrode	1,2	ill. 610769
36	1	1	1	1	1	32104112	Extension element	Rallonge	3	
37	1	1	1	1	1	32106108	Spark plug cable	Câble allumage	1,2	



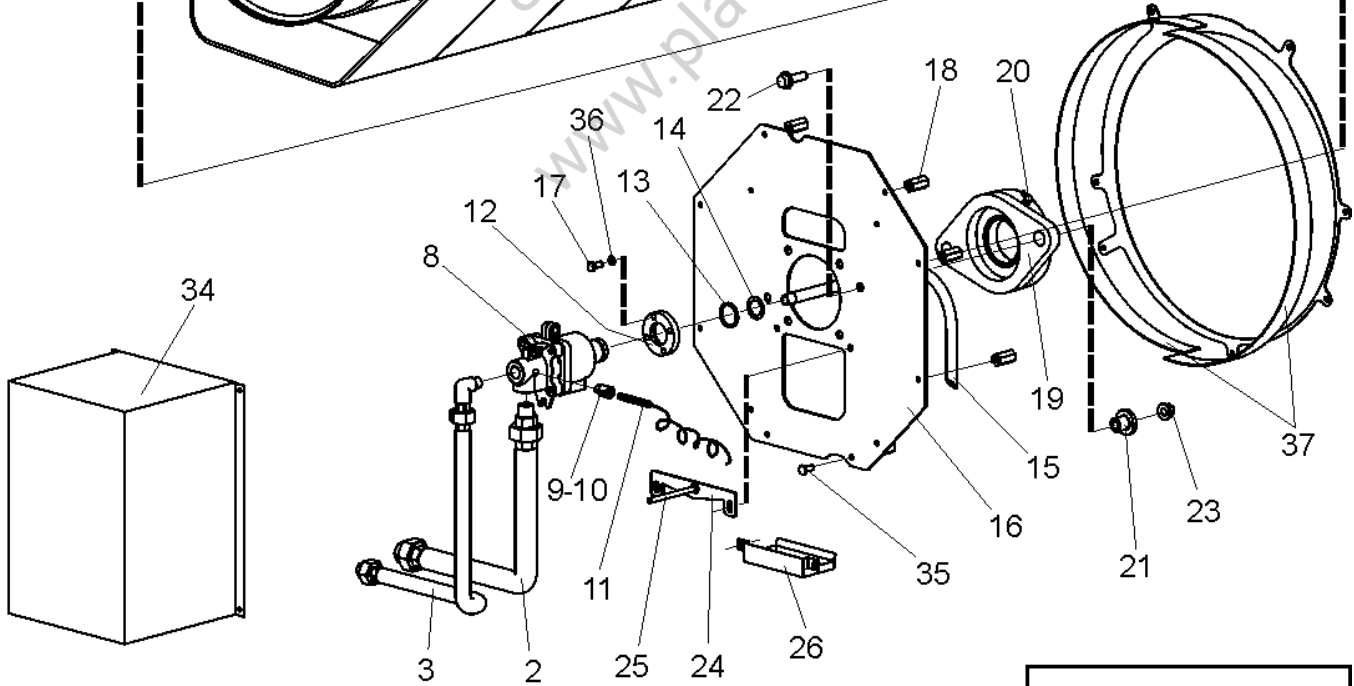
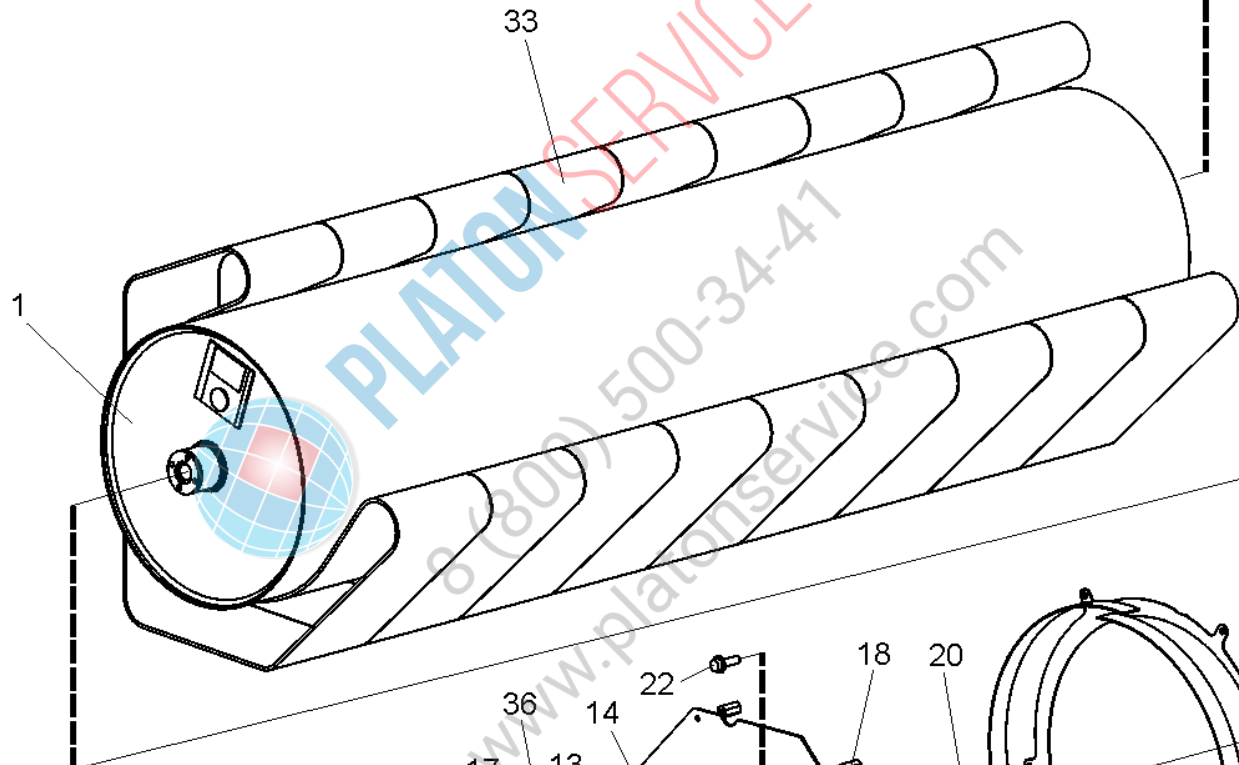
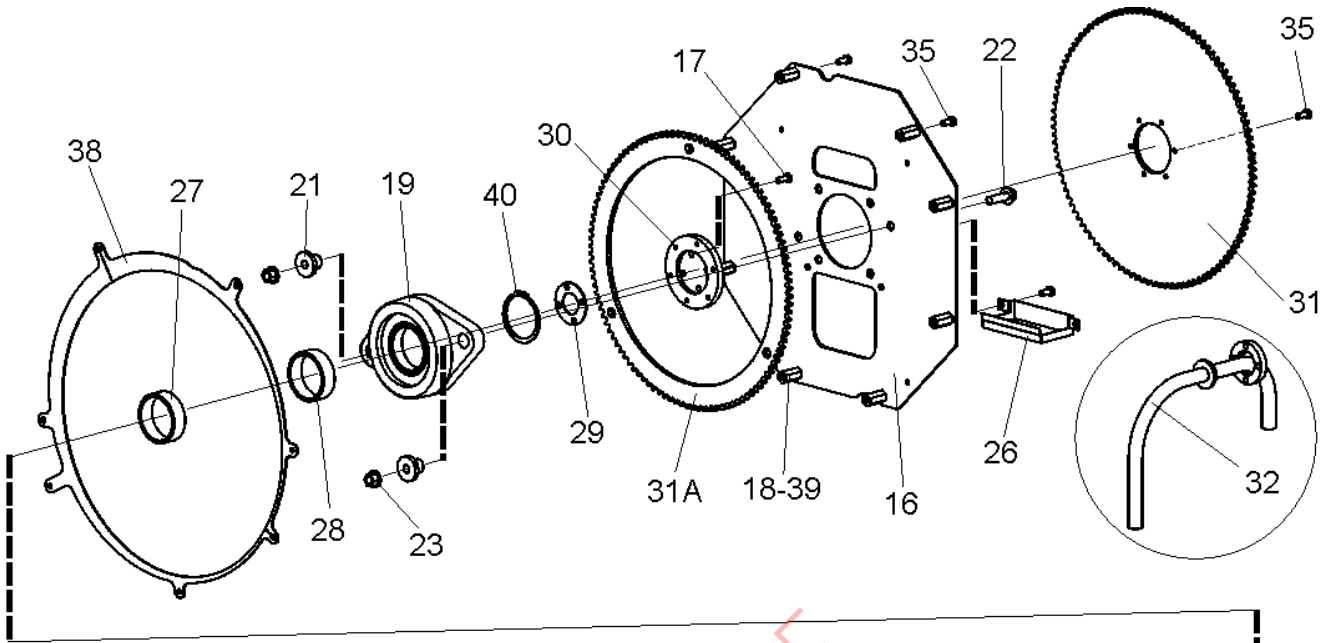
Issue	Month	Year
02	05	09

IC44819 62900017-,IC44821 62900017-,IC44825 62900017-,IC44828 62900017-,IC44832 62900017-
Gas heating - Australia Illustration Issue Month Year
Chauffage gaz - Australie Schéma Issue Month Year
611028/2 5 5 2009

Item Article	Quantity Quantité	Art.No Réf. article	Description	Description	Info Info	Notes Remarques
38		IC44819	32106109 Flame control cable	Câble de contrôle flamme	1,2	
	1	IC44821				
	1	IC44825				
	1	IC44828				
	1	IC44832				
	1					



PLATON SERVICE
 8 (800) 500-34-47
 www.platonservice.com



IC44819 -33710032,IC44821 -24810008,IC44825 -25110009,IC44828 -25110009,IC44832 -22610003

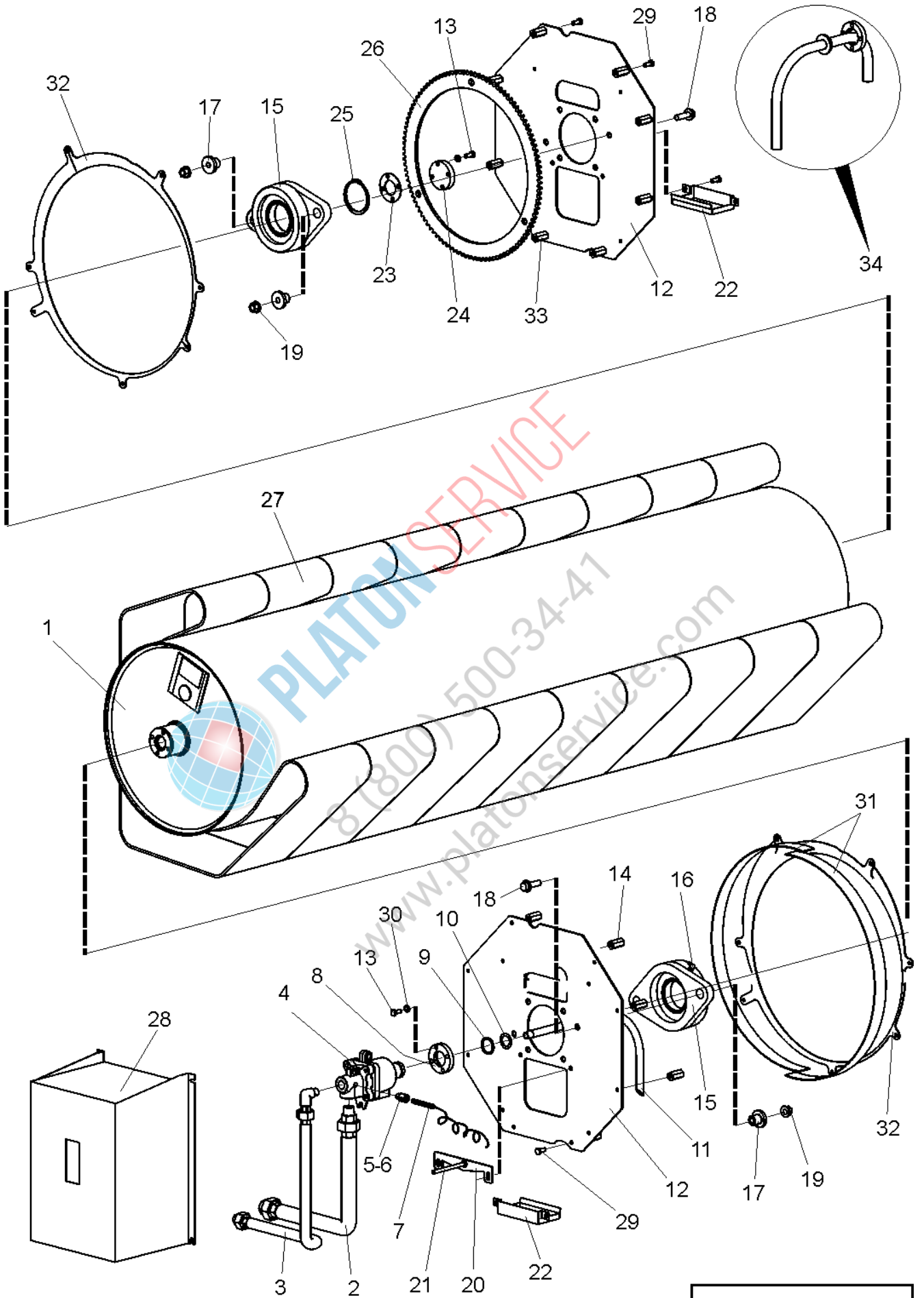
Steam heating

Illustration Issue Month Year
Schéma Issue Month Year

Chauffage vapeur

610781/1 2 3 2006

Item Article	Quantity Quantité						Art.No Réf. article	Description	Description	Info Info	Notes Remarques
	IC44819										
	IC44821										
	IC44825										
	IC44828										
	IC44832										
* 1	1						32104305	Steam cylinder	Cylindre vapeur	3	Ø457mm
*		1					32104304	Steam cylinder	Cylindre vapeur	3	Ø457mm
			1				32104303	Steam cylinder	Cylindre vapeur	3	Ø457mm
				1			32104302	Steam cylinder	Cylindre vapeur	3	Ø457mm
					1		32104301	Steam cylinder	Cylindre vapeur	3	Ø457mm
2	1	1	1	1	1		72052102	Steam flexible pipe	Flexible vapeur	3	DN20
3	1	1	1	1	1		72052103	Steam flexible pipe	Flexible vapeur	3	DN10
8	1	1	1	1	1		73020517	Steam turning joint	Joint tournant vapeur	1,2	
9	1	1	1	1	1		32101501	Right connection	Piquage droit	3	G1/4"
10	1	1	1	1	1		74020227	Ball screw	Vis à bille	3	M5x8
11	1	1	1	1	1		71031078	Heat sensor	Sonde température	1,2	PT100
12	1	1	1	1	1		32106176	Flange	Bride	3	
13	2	2	2	2	2		32100651	Stop washer	Bague arrêt	3	
14	1	1	1	1	1		73020398	Sealing gasket	Joint étanchéité	1,2	DN25
15	1	1	1	1	1		32100416	Breather tube	Tube de purge	3	
16	2	2	2	2	2		32104271	Plate	Platine	3	Steam heating
17	8	8	8	8	8		74020279010	Screw	Vis	3	M8x30 10 units
18	16	16	16	16	16		32104272	Spacer	Entretoise	3	L=35mm
19	2	2	2	2	2		73010077	Bearing box	Palier	3	Ø70
20	2	2	2	2	2		72061011	Grease nipple	Graisser	3	
21	4	4	4	4	4		32101942	Spacer	Entretoise	3	
22	4	4	4	4	4		74033022	Screw	Vis	3	M12x40
23	4	4	4	4	4		74033205	Cage nut	Ecrou	3	M12
24	1	1	1	1	1		32104297	Heating element	Guide	3	
25	1	1	1	1	1		32102402	Shaft	Axe	3	
26	2	2	2	2	2		32104298	Recovery of grease casing	Carter récupération graisse	3	
27	1	1	1	1	1		32104422	Spacer	Entretoise	3	L=16mm
28	1	1	1	1	1		32104276	Spacer	Entretoise	3	L=41mm
29	1	1	1	1	1		32101502	Seal	Joint	3	Ø47mm
30	1	1	1	1	1		32101500	Cap	Bouchon	3	Ø70
	1	1	1	1	1		32104273	Cap	Bouchon	3	Ø80mm
	1	1	1	1	1		32104416	Cap	Bouchon	3	Ø118mm
31	1	1	1	1	1		32104421	Disc	Disque	3	110 teeth
31A	1	1	1	1	1		32104465	Disc	Disque	3	110 teeth
32	1	1	1	1	1		55008982	Test Kit	Kit de réépreuve	3	
33	9	10	12	13	15		77010286	Ironing strip	Bande de repassage	1,2	Steam heating
	9	10	12	13	15		77010265	Ironing strip	Bande de repassage	1,2	Gas & electric heating
34	1	1	1	1	1		32104274	Hood	Capot	3	Steam heating
35	22	22	22	22	22		74033002	Screw	Vis	3	M6x16
36	8	8	8	8	8		74036102	Elastic washer	Rondelle Grower	3	Ø8
37	2	2	2	2	2		32104437	Protective plug	Obturateur de protection	3	
38	2	2	2	2	2		32104521	Washer	Rondelle	3	
39	8	8	8	8	8		32103614	Spacer	Entretoise	3	L=60mm
40	1	1	1	1	1		74026062	Circlip	Circlip	3	Outside



IC44819 33710033-,IC44821 24810009-,IC44825 25110010-,IC44828 25110010-,IC44832 22610004-

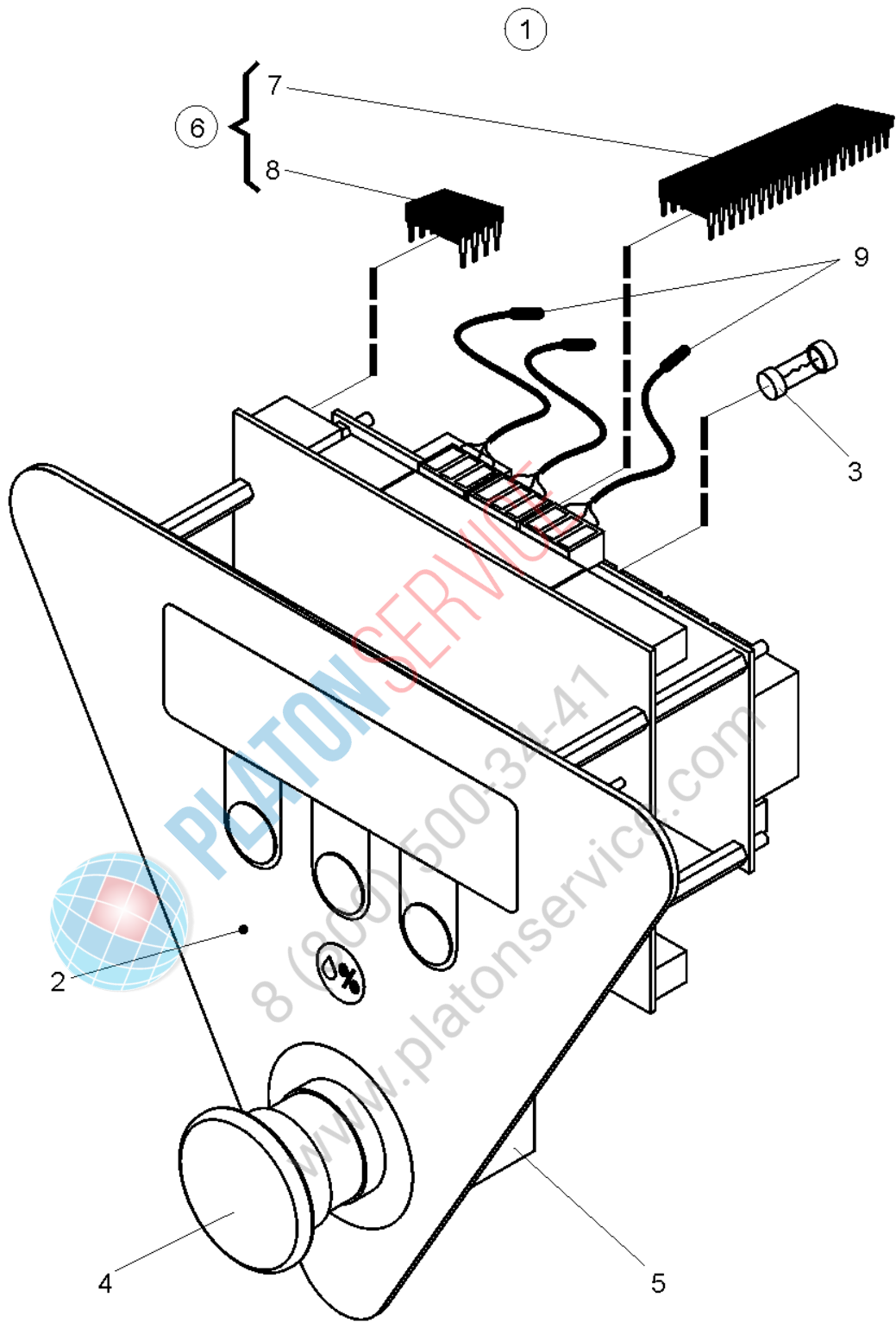
Steam heating

Illustration Issue Month Year
Schéma Issue Month Year

Chauffage vapeur

611498/1 1 10 2014

Item Article	Quantity Quantité					Art.No Réf. article	Description	Description	Info Info	Notes Remarques
	IC44819									
	IC44821									
	IC44825									
	IC44828									
	IC44832									
1	1					32106145	Steam cylinder	Cylindre vapeur	3	Ø457mm
	1					32106144	Steam heating	Chauffage vapeur	3	Ø457mm
		1				32106143	Steam heating	Chauffage vapeur	3	Ø457mm
			1			32106142	Steam heating	Chauffage vapeur	3	Ø457mm
				1		32106141	Steam heating	Chauffage vapeur	3	Ø457mm
2	1	1	1	1	1	72052102	Steam flexible pipe	Flexible vapeur	3	DN20
3	1	1	1	1	1	72052103	Steam flexible pipe	Flexible vapeur	3	DN10
4	1	1	1	1	1	73020517	Steam turning joint	Joint tournant vapeur	1,2	
5	1	1	1	1	1	32101501	Right connection	Piquage droit	3	G1/4"
6	1	1	1	1	1	74020227	Ball screw	Vis à bille	3	M5x8
7	1	1	1	1	1	71031078	Heat sensor	Sonde température	1,2	PT100
8	1	1	1	1	1	32106176	Flange	Bride	3	
9	2	2	2	2	2	32100651	Stop washer	Bague arrêt	3	
10	1	1	1	1	1	73020398	Sealing gasket	Joint étanchéité	1,2	DN25
11	1	1	1	1	1	32100416	Breather tube	Tube de purge	3	
12	2	2	2	2	2	32104271	Plate	Platine	3	Steam heating
13	8	8	8	8	8	74020279010	Screw	Vis	3	M8x30 10 units
14	8	8	8	8	8	32104272	Spacer	Entretoise	3	L=35mm
15	2	2	2	2	2	73010077	Bearing box	Palier	3	Ø70
16	2	2	2	2	2	72061011	Grease nipple	Graisser	3	
17	4	4	4	4	4	32101942	Spacer	Entretoise	3	
18	4	4	4	4	4	74033022010	Screw	Vis	3	M12x40 10 units
19	4	4	4	4	4	74033205010	Cage nut	Ecrou	3	M12 10 units
20	1	1	1	1	1	32104297	Heating element	Guide	3	
21	1	1	1	1	1	32102402	Shaft	Axe	3	
22	2	2	2	2	2	32104298	Recovery of grease casing	Carter récupération graisse	3	
23	1	1	1	1	1	32101502	Seal	Joint	3	Ø47mm
24	1	1	1	1	1	32101500	Cap	Bouchon	3	Ø70
25	1	1	1	1	1	74026062	Circlip	Circlip	3	Outside
26	1	1	1	1	1	32104465	Disc	Disque	3	110 teeth
27	9	10	12	13	15	77010286	Ironing strip	Bande de repassage	1,2	Steam heating
	9	10	12	13	15	77010265	Ironing strip	Bande de repassage	1,2	Gas & electric heating
28	1	1	1	1	1	32104274	Hood	Capot	3	Steam heating
29	16	16	16	16	16	74033002020	Screw	Vis	3	M6x16 20 units
30	8	8	8	8	8	74036102010	Elastic washer	Rondelle Grower	3	Ø8 10 units
31	2	2	2	2	2	32104437	Protective plug	Obturbateur de protection	3	
32	2	2	2	2	2	32104521	Washer	Rondelle	3	
34	1	1	1	1	1	55008982	Test Kit	Kit de réépreuve	3	
33	8	8	8	8	8	32103614	Spacer	Entretoise	3	L=60mm



IC44819,IC44821,IC44825,IC44828,IC44832

Control panel

Plastron de commande

Illustration	Issue	Month	Year
Schéma	Issue	Month	Year
610767/1	4	10	2010

Item Article	Qua Qua	Art.No Réf. article	Description	Description	Info Info	Notes Remarques
1	1	56000139	Control panel	Plastron de commande	1,2	Complete
2	1	74032394	•Control panel	•Plastron de commande	1,2	Lexan
3	1	71082200	•Circuit breaker	•Fusible	1,2	1A, 250V
4	1	71054132	•Stop emergency	•Arrêt urgence	1,2	Red
5	1	71054130	Contact block	Bloc contact	1,2	
6	1	56000212	Memories Kit	Kit Mémoires	1,2	
7	1		•Program memory	•Mémoire programme	3	
8	1		•Language memory	•Mémoire langage	3	
9	-		Heat sensor	Sonde température		

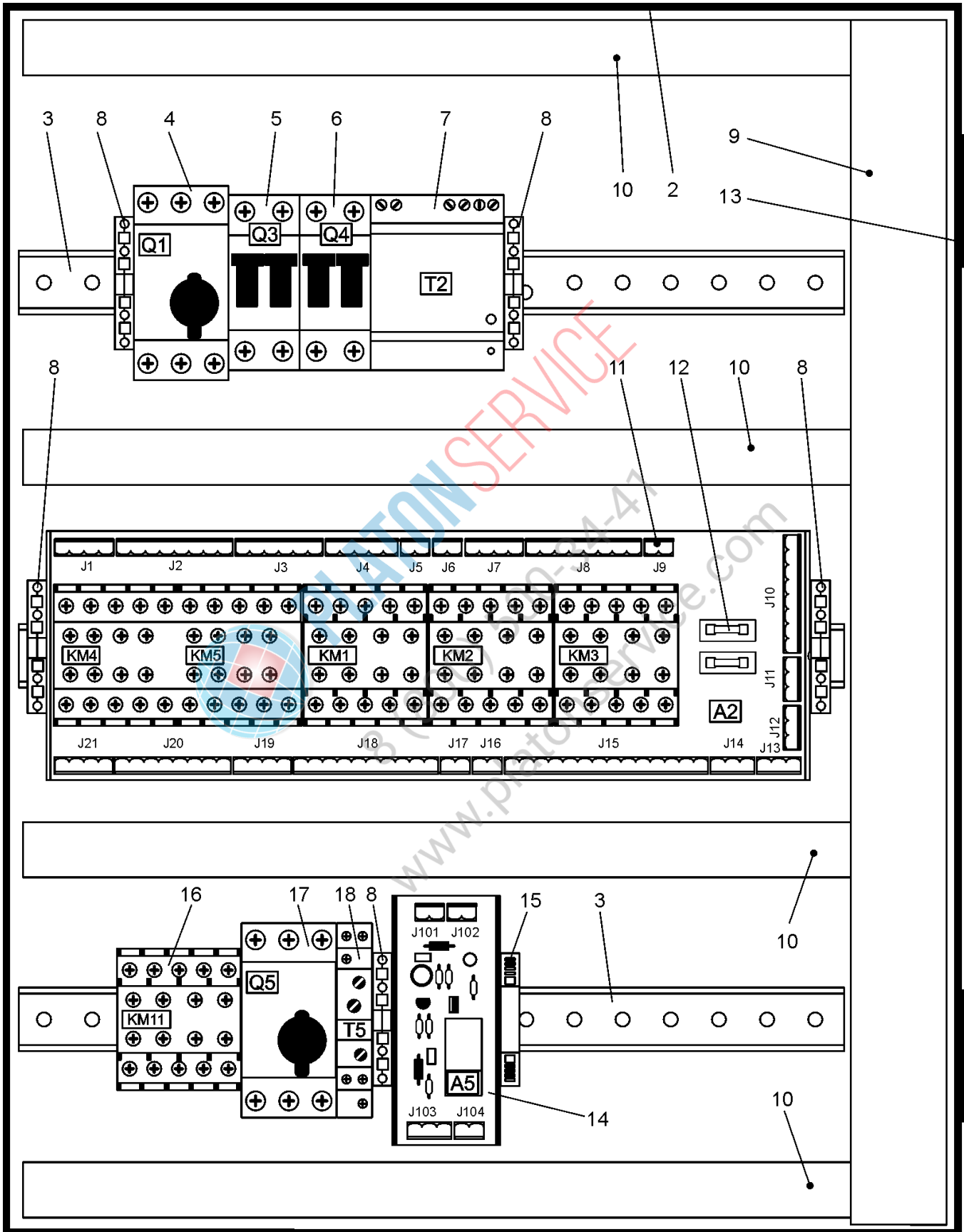


PLATON SERVICE

8 (800) 500-34-47

www.platonservice.com

①



Issue	Month	Year
02	12	04

IC44819,IC44821,IC44825,IC44828,IC44832

Electric cabinet

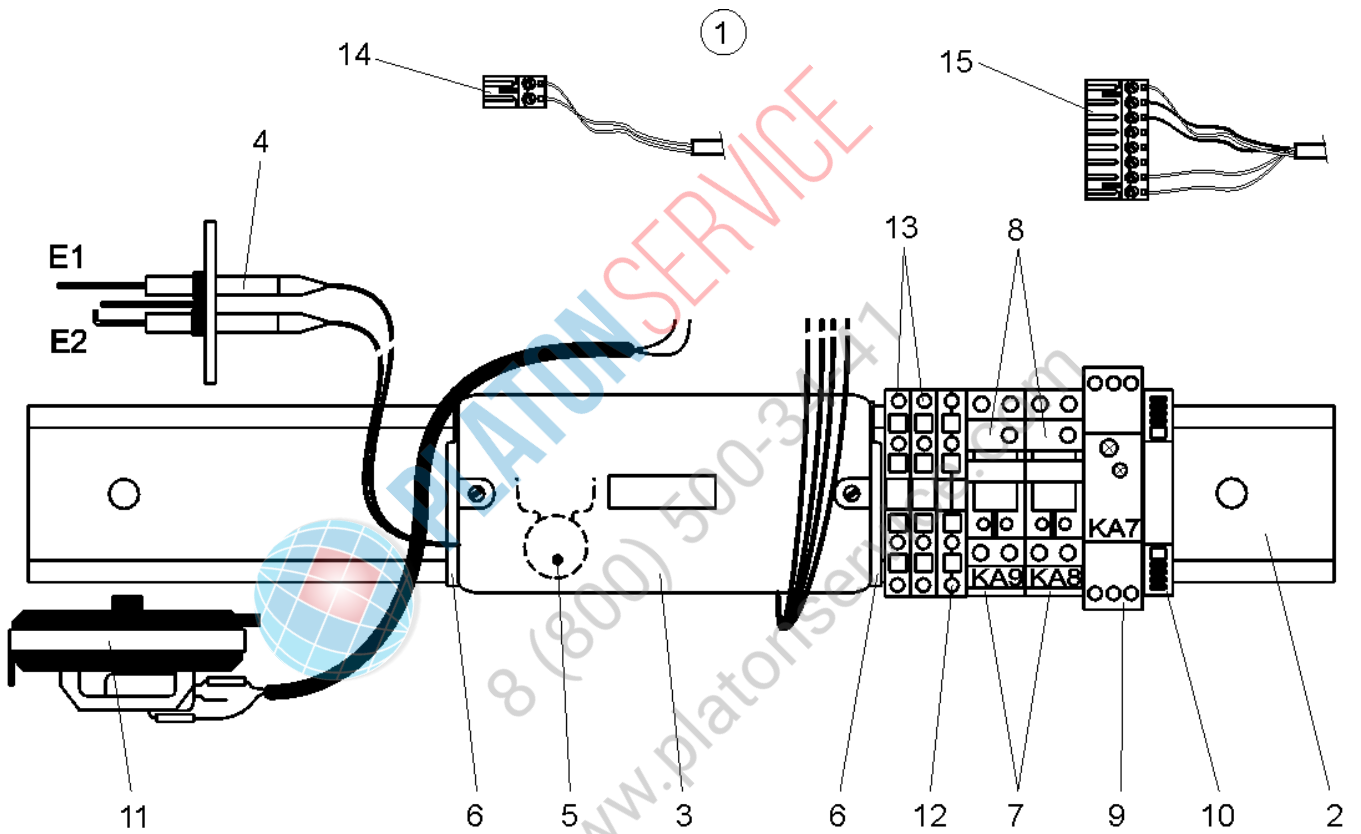
Armoire électrique

Illustration Issue Month Year
Schéma Issue Month Year
610771/1 2 12 2004

Item Article	Qua Qua	Art.No Réf. article	Description	Description	Info Info	Notes Remarques
1	1	55012323	Electric cabinet	Armoire électrique	1,2	Complete
2	1	32104997	•Switch cabinet box	•Coffret armoire électrique	3	
3	3	34005604	•Profile	•Profilé	3	L= 325mm
4	1	71082145	•Mains current breaker	•Disjoncteur	1,2	Three-pole
5	1	71082506	•Mains current breaker	•Disjoncteur	1,2	Primary
6	1	71082506	•Mains current breaker	•Disjoncteur	1,2	Secondary
7	1	71021166	•Electronic rectifier	•Alimentation redressée	1,2	230V-24VDC -92000010
	1	71021179	•Electronic rectifier	•Alimentation redressée	1,2	230V-24VDC 92000011-
8	5	71075058	•Ground terminal	•Borne de terre	1,2	2.5mm ²
9	1	71081022	•Back chute	•Goulotte	3	40x80 by meter L=60cm
10	4	71081008	•Spout	•Goulotte	3	25x80 by meter L=30cm
11	1	71082464	•Interconnection circuit	•Circuit interconnexion	1,2	
12	2		••Circuit breaker	••Fusible	3	1.6A-230V
13	2	74030059	•Hinge	•Charnière	3	
14	1	71082500	•Rotation control board	•Platine contrôle rotation	1,2	
15	1	71075037	•Stop	•Butée	3	
16	1	71050190	Contacteur	Relais	1,2	6A-24VDC Optional
17	1	71082145	Mains current breaker	Disjoncteur	1,2	Three-pole Optional
18	1	71052121	Time relay	Relais temporisé	1,2	Optional



PLATON SERVICE
8 (800) 500-3447
www.platonservice.com



IC44819 -65000001,IC44821 -65000001,IC44825 -65000001,IC44828 -65000001,IC44832 -65000001

Electric control plate - gas heating

Illustration Issue Month Year
Schéma Issue Month Year

Platine électrique - chauffage gaz

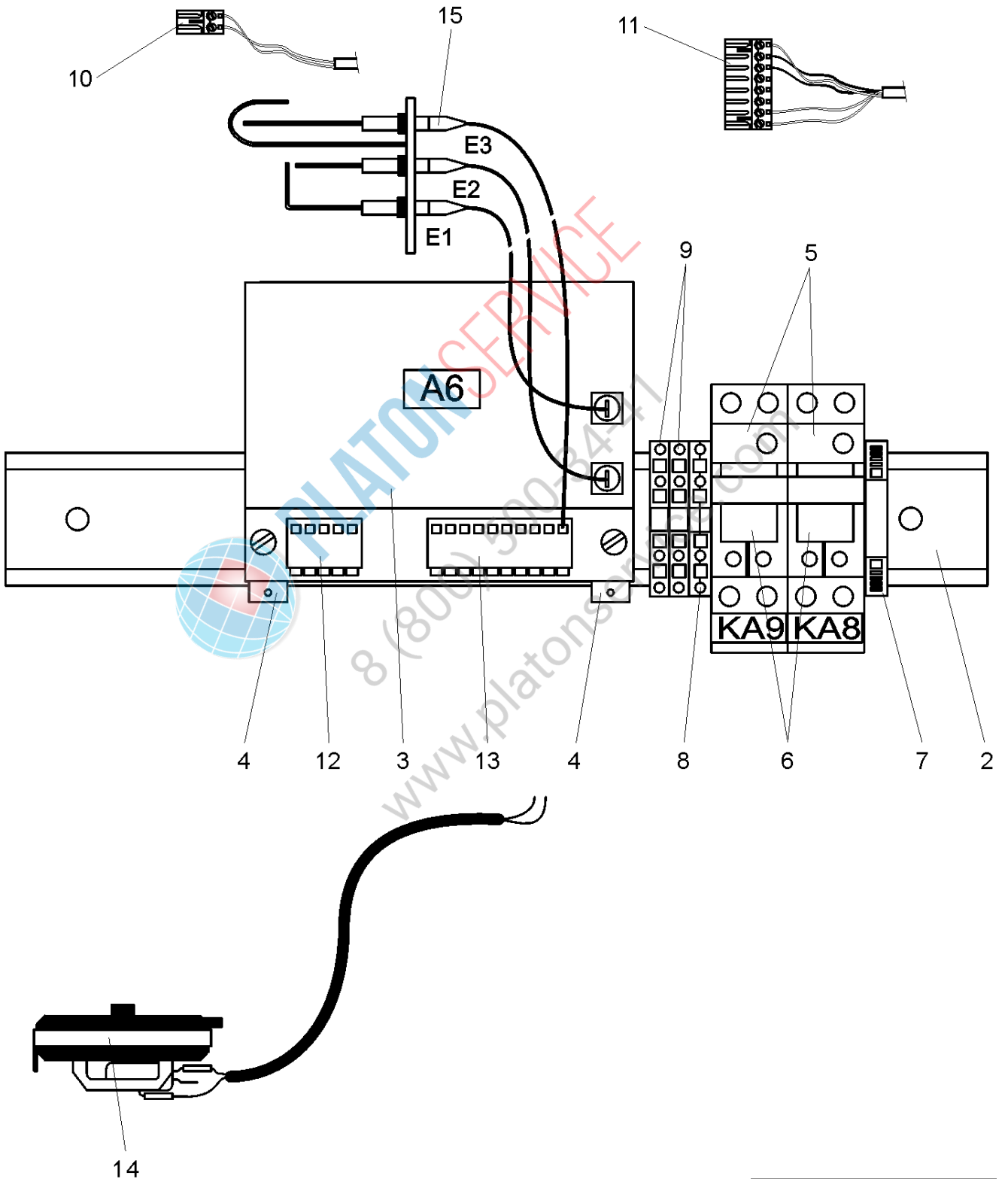
610769/1 3 5 2009

Item Article	Qua Qua	Art.No Réf. article	Description	Description	Info Info	Notes Remarques
1	1	55012325	Electric control plate - gas heating	Platine électrique - chauffage gaz	1,2	Complete
2	1	32004371	•Profile	•Profilé	3	L=400mm
3	1	55013319	•Igniter kit	•Kit allumeur	1,2	RV0541
4	1		••Electrode	••Électrode	1,2	
5	1	71082035	•Varistor	•Varistance	1,2	
6	2	71081013	•Snap nut	•Ecrou encliquetable	1,2	
7	2	71052107	•Relay support	•Support relais	1,2	-52900011
	2	71052130	•Relay support	•Support relais	1,2	52900012-
8	2	71052106	•Contactor	•Relais	1,2	10A -52900011
	2	71052129	•Contactor	•Relais	1,2	230V 52900012-
9	1	71052112	•Time delay contact	•Contact temporisé	1,2	
10	1	71075037	•Stop	•Butée	1,2	
11	1	72060062	•Pressostat	•Pressostat	1,2	
12	1	71075058	•Ground terminal	•Borne de terre	3	2.5mm ²
13	2	71075067	•Terminal block	•Borne de raccordement	3	
14	1	71074120	•Connector	•Connecteur	3	2 point
15	1	71074123	•Connector	•Connecteur	3	8 point



PLATON SERVICE
8 (800) 500-34-41
www.platonservice.com

1



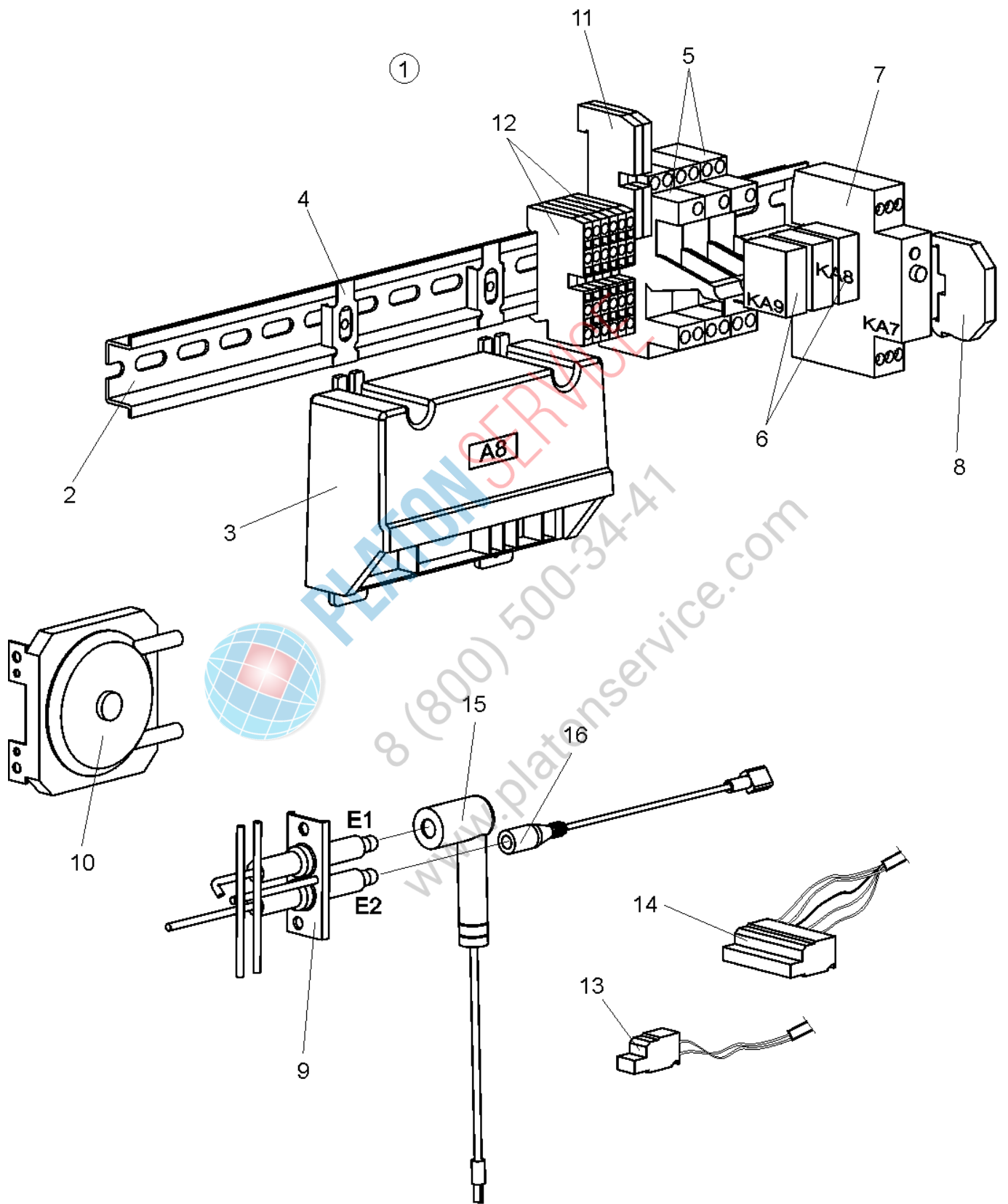
IC44819 65000002-,IC44821 65000002-,IC44825 65000002-,IC44828 65000002-,IC44832 65000002-
Electric control plate - gas heating
Platine électrique - chauffage gaz

Illustration Issue Month Year
Schéma Issue Month Year
611045/1 1 12 2006

Item Article	Qua Qua	Art.No Réf. article	Description	Description	Info Info	Notes Remarques
1	1	55013253	Electric control plate - gas heating	Platine électrique - chauffage gaz	1,2	Complete
	1	55013319	Igniter kit	Kit allumeur	1,2	RV0541
2	1	32004371	•Profile	•Profilé	3	L=400mm
3	1	71088038	•Igniter	•Allumeur	1,2	RV0541
4	2	71081013	•Snap nut	•Ecrou encliquetable	1,2	
5	2	71052130	•Relay support	•Support relais	1,2	
6	2	71052129	•Contactor	•Relais	1,2	230V
7	1	71075037	•Stop	•Butée	1,2	
8	1	71075058	•Ground terminal	•Borne de terre	3	2.5mm ²
9	2	71075067	•Terminal block	•Borne de raccordement	3	
10	1	71074120	•Connector	•Connecteur	3	2 point
11	1	71074123	•Connector	•Connecteur	3	8 point
12	1	71074259	•Connector	•Connecteur	3	5 point
13	1	71074260	•Connector	•Connecteur	3	10 point
14	1	72060062	Pressostat	Pressostat	1,2	
15	1	71088049	Electrode	Electrode	1,2	



PLATON SERVICE
8 (800) 500-34-41
www.platonservice.com



IC44819 -14110004,IC44821 -14110004,IC44825 -14110004,IC44828 -14110004,IC44832 -14110004

Electric control plate - gas heating - Australia

Illustration Issue Month Year
Schéma Issue Month Year

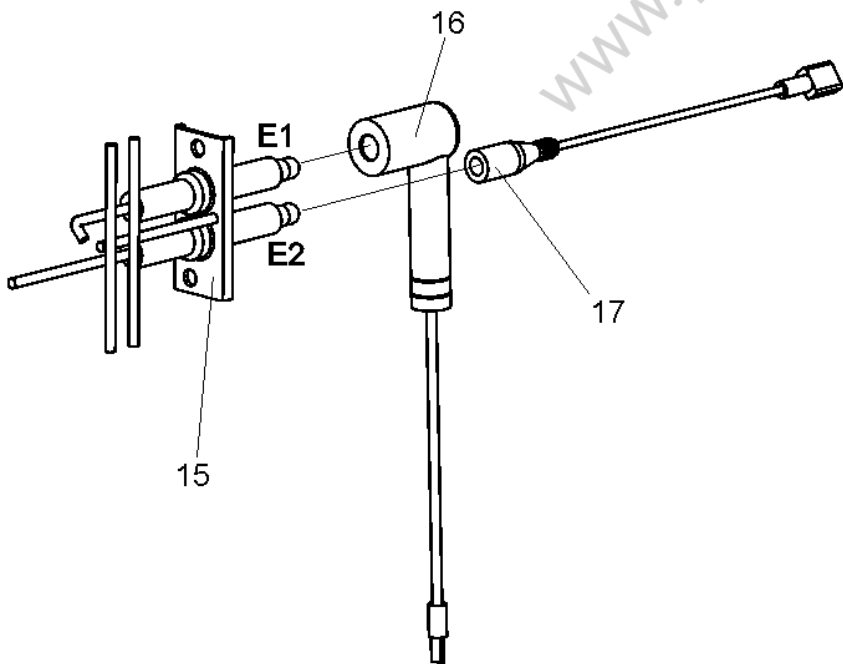
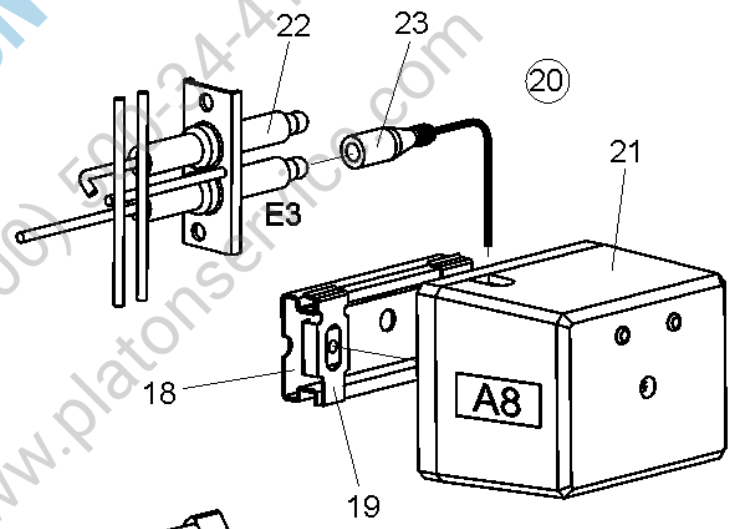
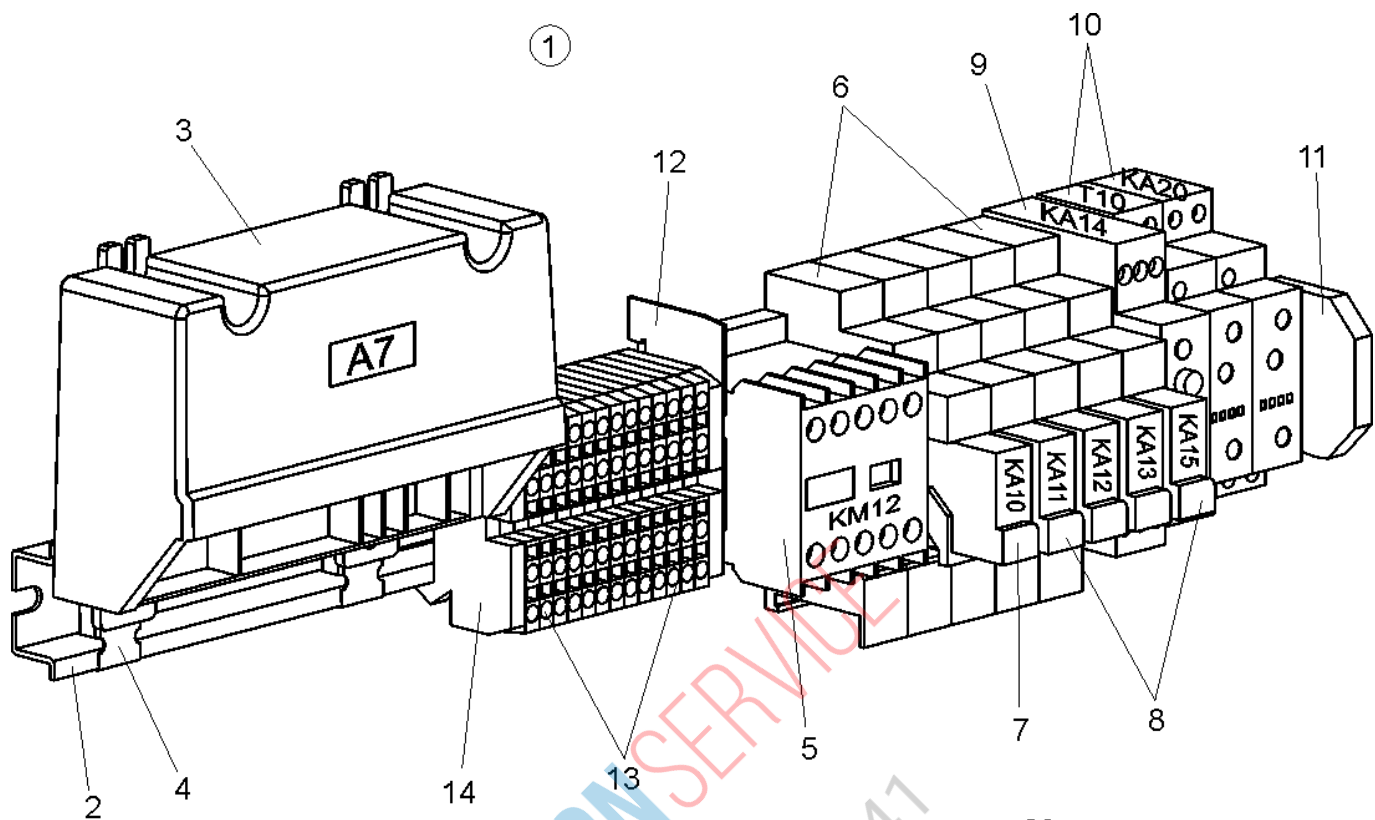
Platine électrique - chauffage gaz - Australie

610770/1 1 6 2004

Item Article	Qua Qua	Art.No Réf. article	Description	Description	Info Info	Notes Remarques
1	1	55012326	Electric control plate - gas heating - Australia	Platine électrique - chauffage gaz - Australie	1,2	Complete
2	1	32004371	•Profile	•Profilé	3	L=400mm
3	1	71088033	•Igniter	•Allumeur	1,2	
4	2	71081013	•Snap nut	•Ecrou encliquetable	1,2	
5	2	71052120	•Relay support	•Support relais	1,2	
6	2	71052106	•Contactor	•Relais	3	10A
7	1	71052112	•Time delay contact	•Contact temporisé	1,2	
8	1	71075037	•Stop	•Butée	1,2	
9	1	71088036	•Electrode	•Électrode	1,2	
10	1	72060062	•Pressostat	•Pressostat	1,2	
11	2	71075058	•Ground terminal	•Borne de terre	3	2.5mm ²
12	6	71074067	•Terminal block	•Borne de raccordement	3	
13	1	71074120	•Connector	•Connecteur	3	2 point
14	1	71074123	•Connector	•Connecteur	3	8 point
15	1	32106108	•Spark plug cable	•Câble allumage	1,2	
16	1	32106109	•Flame control cable	•Câble de contrôle flamme	1,2	



PLATON SERVICE
8 (800) 500-34-41
www.platonservice.com

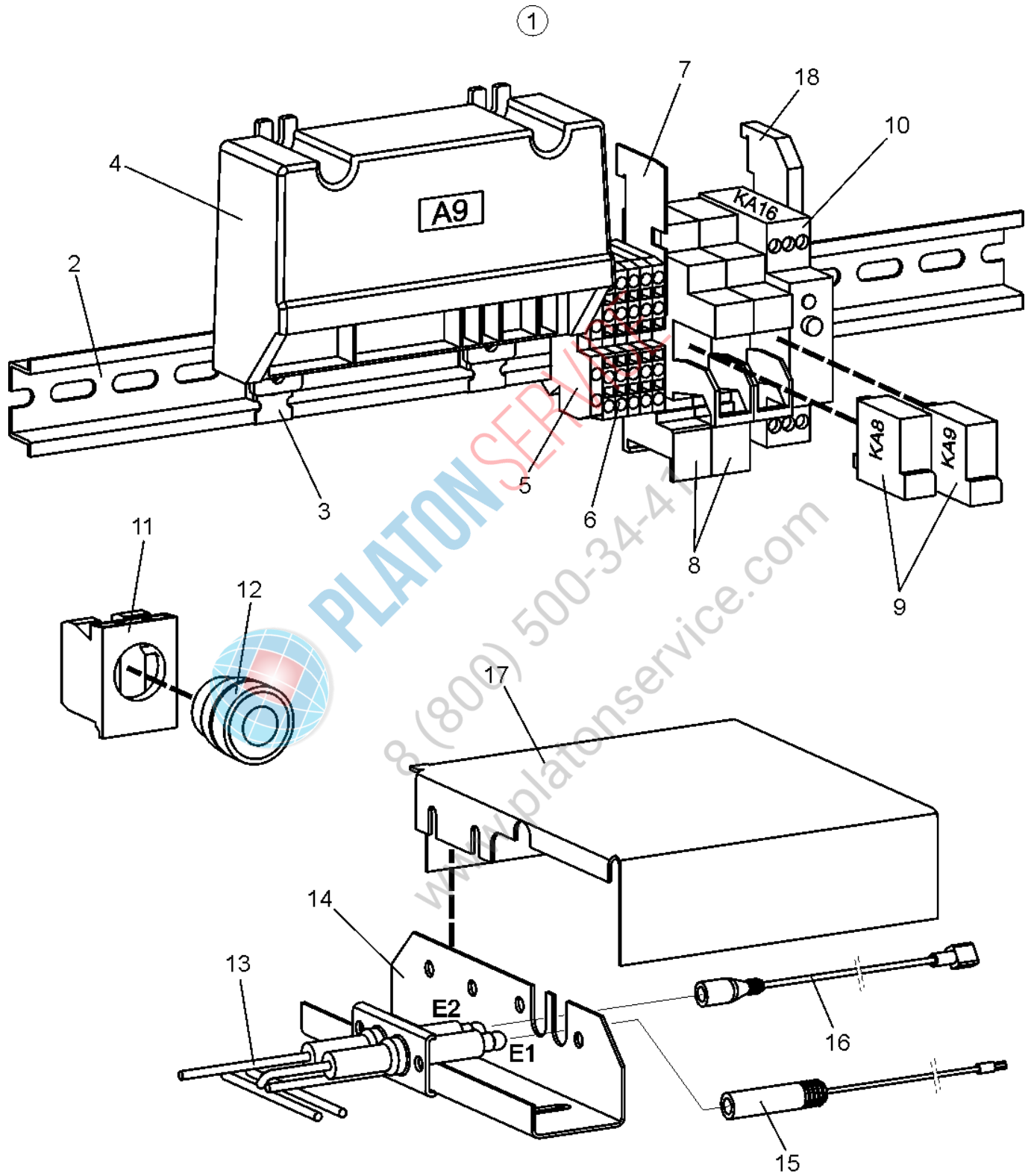


Issue	Month	Year
01	10	11

IC44819 14110005-,IC44821 14110005-,IC44825 14110005-,IC44828 14110005-,IC44832 14110005-
Electric control plate - gas heating - Australia
Platine électrique - chauffage gaz - Australie

Illustration Issue Month Year
Schéma Issue Month Year
611313/1 1 11 2011

Item Article	Qua Qua	Art.No Réf. article	Description	Description	Info Info	Notes Remarques
1	1	55014341	Electric control plate - gas heating - Australia	Platine électrique - chauffage gaz - Australie	1,2	Complete
2	1	32004371	•Profile	•Profilé	3	L=400mm
3	1	56000295	•Igniter kit	•Kit allumeur	1,2	-31310099
	1	71088050	•Igniter	•Allumeur	1,2	31410001-
4	2	71081013	•Snap nut	•Ecrou encliquetable	1,2	
5	1	71050182	•Contactor	•Relais	1,2	6A
6	5	71052130	•Relay support	•Support relais	1,2	
7	1	71052133	•Contactor	•Relais	3	230V
8	4	71052129	•Contactor	•Relais	1,2	230V
9	1	71052112	•Time delay contact	•Contact temporisé	1,2	
10	2	71052121	•Time relay	•Relais temporisé	1,2	
11	1	71075037	•Stop	•Butée	1,2	
12	1	71075068	•End flange	•Flasque extrémité	1,2	
13	13	71075067	•Terminal block	•Borne de raccordement	3	
14	2	71075058	•Ground terminal	•Borne de terre	3	2.5mm ²
15	1	71088036	•Electrode	•Électrode	1,2	
16	1	32106108	•Spark plug cable	•Câble allumage	1,2	
17	1	32106109	•Flame control cable	•Câble de contrôle flamme	1,2	
18	1	31004657	•Profile	•Profilé	3	75mm
19	2	71081013	•Snap nut	•Ecrou encliquetable	3	
20	1	55014342	•Electric control plate - flame control	•Platine contrôle flamme	3	Complete
21	1	71088045	••Flame detector box	••Boitier contrôle flamme	3	Australia
22	1	71088036	••Electrode	••Électrode	1,2	
23	1	71040070	••Electrodes threads	••Fils électrodes	3	Ionization



IC44819,IC44821,IC44825,IC44828,IC44832

Electric control plate - gas heating- Latin America

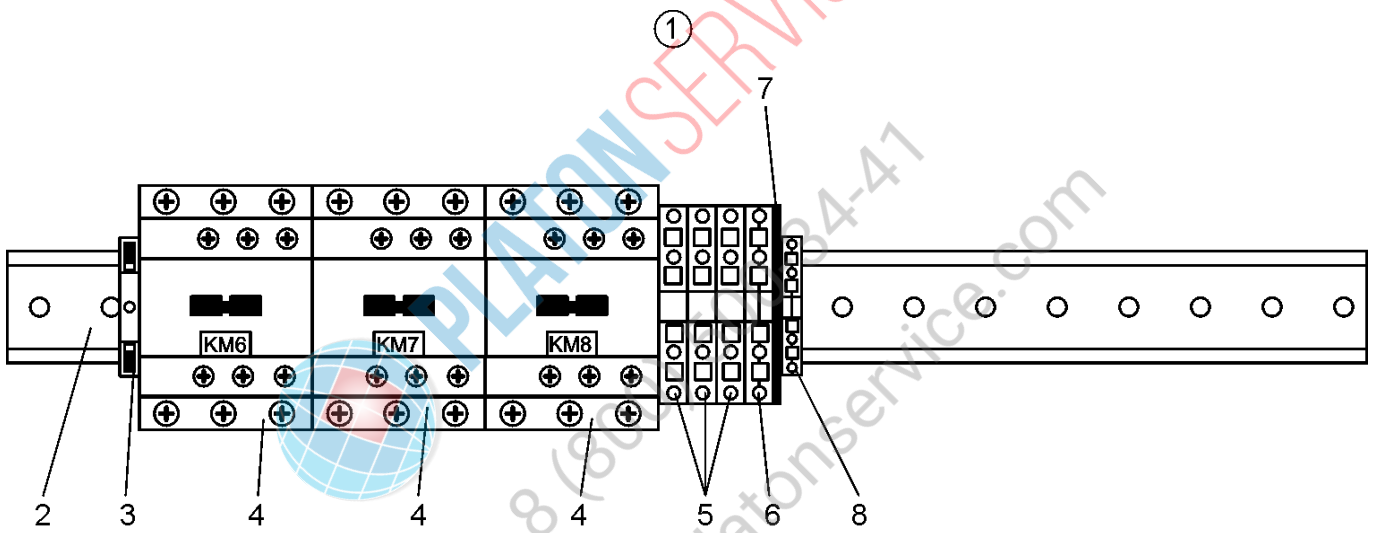
Platine électrique - chauffage gaz - Amérique Latine

Illustration Issue Month Year
Schéma Issue Month Year
611317/1 1 10 2011

Item Article	Qua Qua	Art.No Réf. article	Description	Description	Info Info	Notes Remarques
1	1	55014321	Electric control plate - gas heating- Latin America	Platine électrique - chauffage gaz - Amérique Latine	3	Complete
2	1	32004371	•Profile	•Profilé	3	L=400mm
3	2	71081013	•Snap nut	•Ecrou encliquetable	3	
4	1	71088033	•Igniter	•Allumeur	3	
5	1	71075058	•Ground terminal	•Borne de terre	3	2.5mm ²
6	5	71075067	•Terminal block	•Borne de raccordement	3	
7	1	71075068	•End flange	•Flasque extrémité	3	
8	2	71052130	•Relay support	•Support relais	3	
9	2	71052129	•Contactor	•Relais	3	230V
10	1	71052112	•Time delay contact	•Contact temporisé	3	
11	1	71054130	•Contact block	•Bloc contact	3	
12	1	71054127	•Push-button	•Bouton poussoir	3	Green
13	1	71088036	•Electrode	•Électrode	3	
14	1	32106123	•Electrode support	•Support électrode	3	
15	1	32106128	•Spark plug cable	•Câble allumage	3	
16	1	32106109	•Flame control cable	•Câble de contrôle flamme	3	
17	1	32106121	•Fender waling	•Capot de protection	3	
18	1	71075037	•Stop	•Butée	3	



PLATON SERVICE
8 (800) 500-3447
www.platonservice.com



IC44819,IC44821,IC44825,IC44828,IC44832

Electric heating plate

Platine chauffage électrique

Illustration	Issue	Month	Year
Schéma	Issue	Month	Year
610773/1	1	6	2004

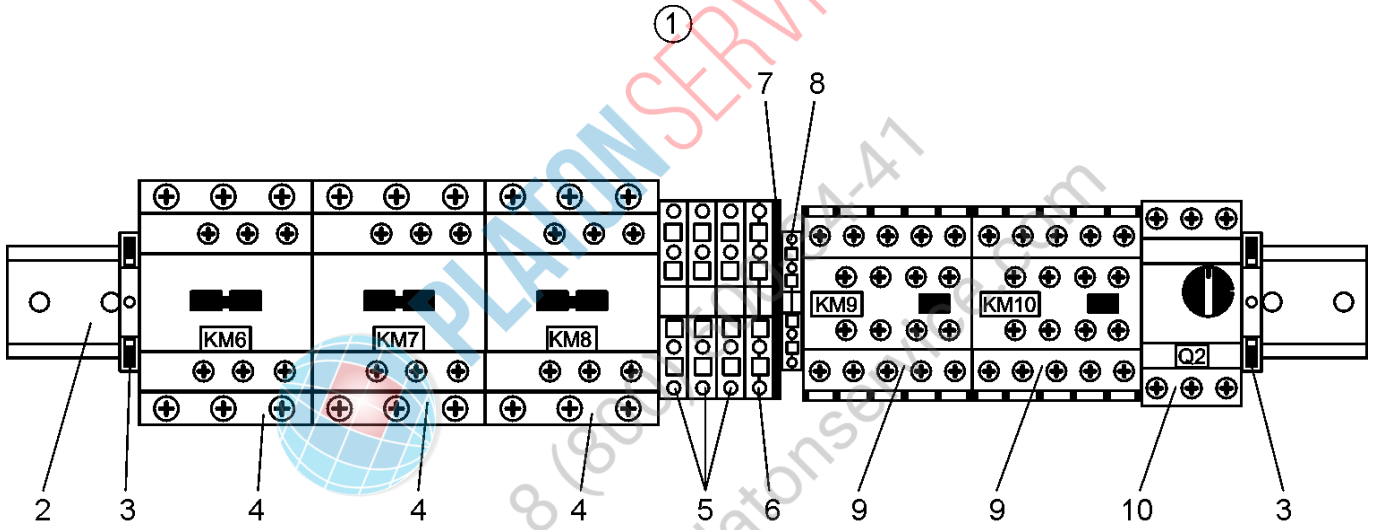
Item Article	Qua Qua	Art.No Réf. article	Description	Description	Info Info	Notes Remarques
1	1	55012324	Electric heating plate	Platine chauffage électrique	3	Complete
2	1	32003191	•Profile	•Profilé	3	L=575mm
3	1	71075037	•Stop	•Butée	3	
4	3	71050126	•Contactor	•Relais	1,2	18A
5	3	71075079	•Terminal block	•Borne de raccordement	3	16mm ²
6	1	71075064	•Ground terminal	•Borne de terre	3	16mm ²
7	1	71075078	•End flange	•Flasque extrémité	3	
8	1	71075058	•Ground terminal	•Borne de terre	1,2	2.5mm ²



PLATON SERVICE

8 (800) 500-34-47

www.platonservice.com



IC44819,IC44821,IC44825,IC44828,IC44832

Electric heating plate - With air circulation

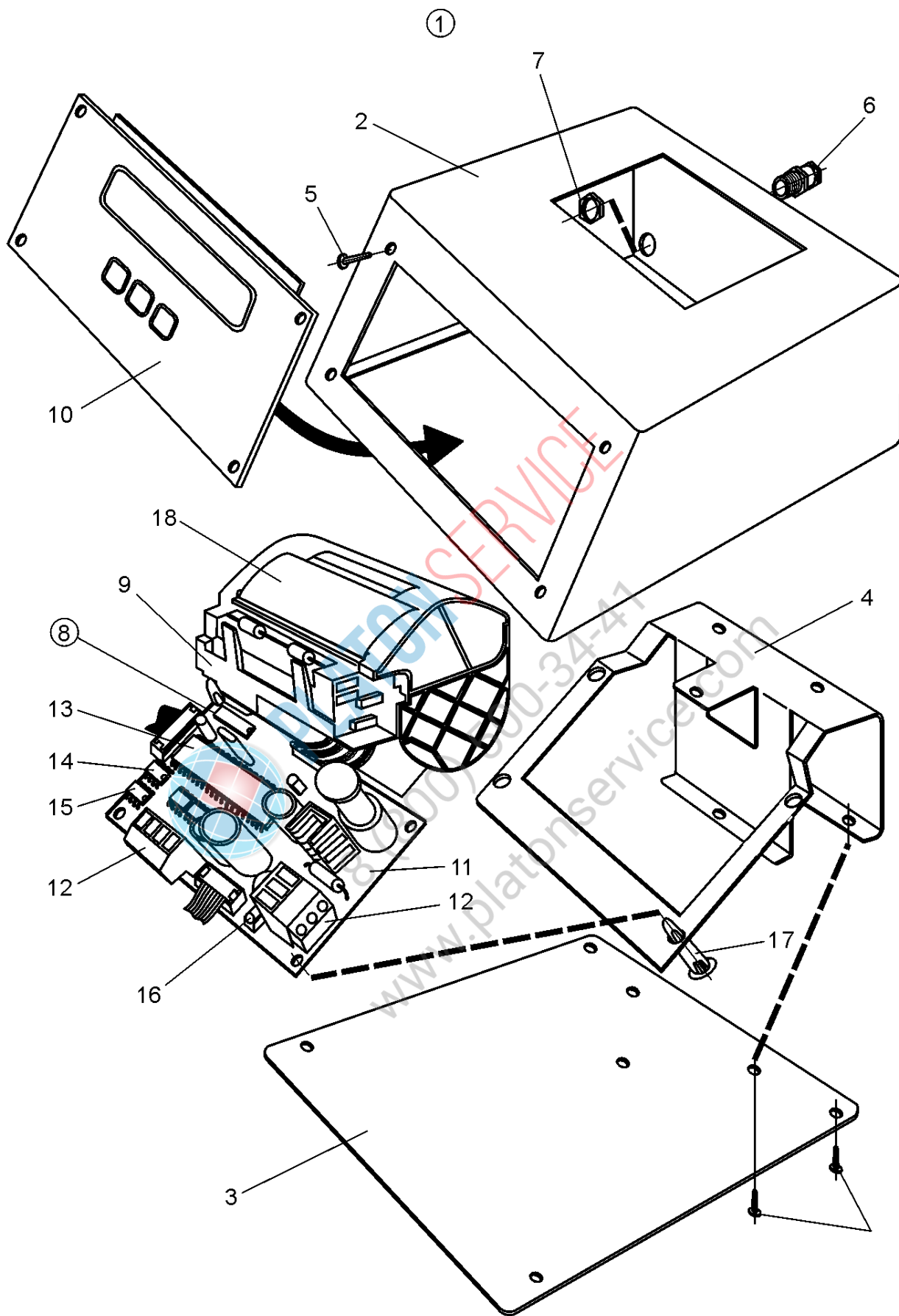
Illustration Issue Month Year
Schéma Issue Month Year
610774/1 1 6 2004

Platine chauffage électrique - Chaleur tournante

Item Article	Qua Qua	Art.No Réf. article	Description	Description	Info Info	Notes Remarques
1	1	55012373	Electric heating plate - With air circulation	Platine chauffage électrique - Chaleur tournante	3	Complete
2	1	32003191	•Profile	•Profilé	3	L=575mm
3	2	71075037	•Stop	•Butée	3	
4	3	71050126	•Contactor	•Relais	1,2	18A
5	3	71075079	•Terminal block	•Borne de raccordement	1,2	16mm ²
6	1	71075064	•Ground terminal	•Borne de terre	3	16mm ²
7	1	71075078	•End flange	•Flasque extrémité	3	
8	1	71075058	•Ground terminal	•Borne de terre	3	2.5mm ²
9	2	71050182	•Contactor	•Relais	1,2	6A
10	1	71082145	•Mains current breaker	•Disjoncteur	1,2	Three-pole



PLATON SERVICE
8 (800) 500-34-47
www.platonservice.com



IC44819,IC44821,IC44825,IC44828,IC44832

RABC Printer option (machine with DIAMMS)

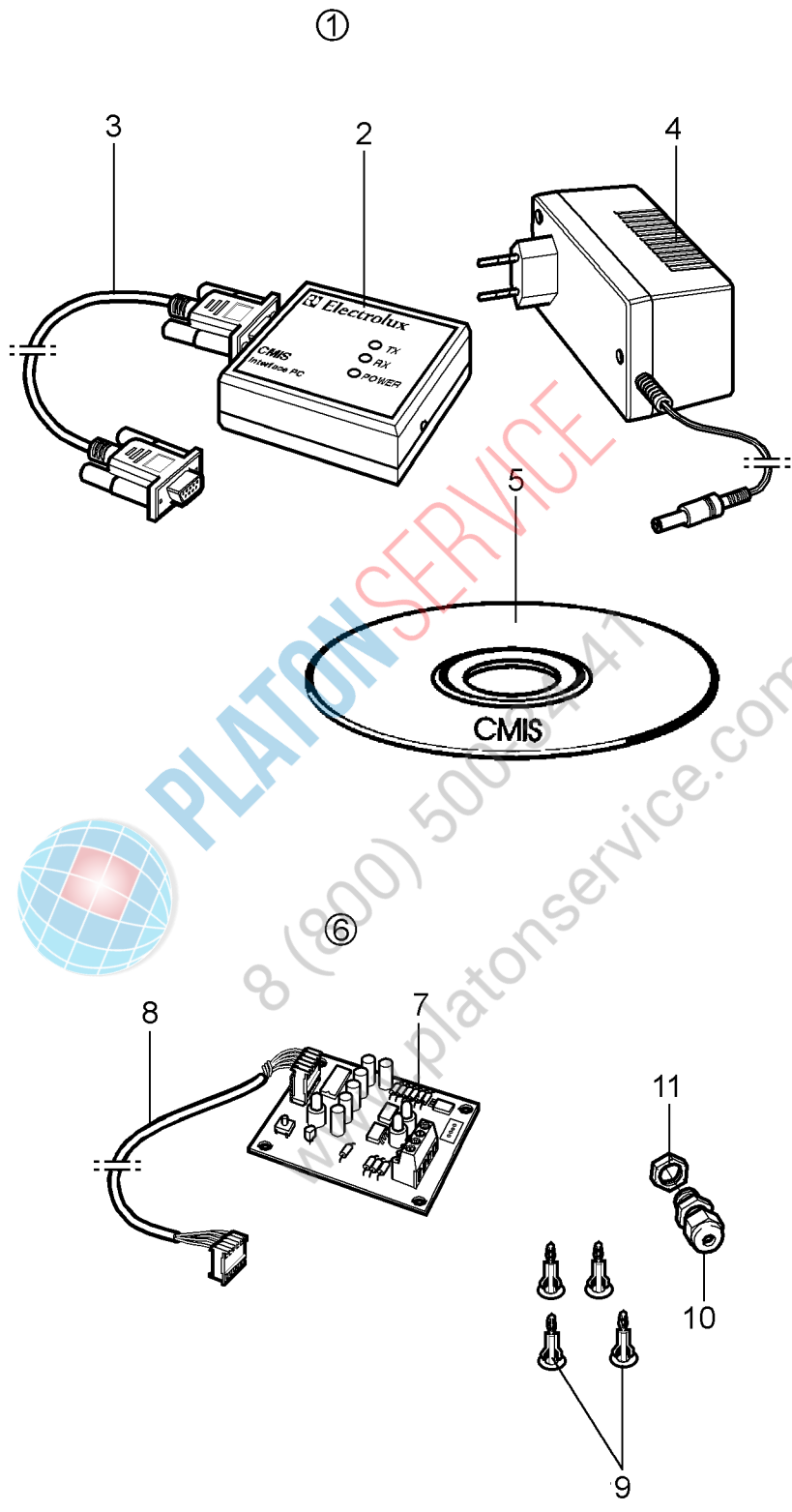
Illustration Issue Month Year
Schéma Issue Month Year
610737/1 1 6 2004

Option RABC Printer (machine avec DIAMMS)

Item Article	Qua Qua	Art.No Réf. article	Description	Description	Info Info	Notes Remarques
1	1	55011914	RABC kit	Kit RABC	1,2	with DIAMMS
2	1	32103689	•Protection box	•Boitier de protection	3	
3	1	32103690	•Bottom	•Fond	3	
4	1	32103691	•Rail	•Support	3	
5	11	74023092	•Pop rivet	•Rivet	3	Plastic
6	2	71079045	•Cable fitting	•Presse étoupe	3	Ø9
7	2	71079007	•Locking nut	•Contre-écrou	3	
8	1	55011913	•Printer	•Imprimante	1,2	Complete
9	1	71085021	••Printer	••Imprimante	1,2	
10	1		••Control panel	••Plastron de commande		
11	1		••Printed circuit board	••Circuit imprimé		
12	1	32103693	••Cable set	••Jeu de câbles	3	
13	1	32103695	••Program memory	••Mémoire programme	1,2	
14	1	32103697	••Language memory	••Mémoire langage	1,2	
15	1	32103696	••Fonts memory	••Mémoire police	1,2	
16	1		••Circuit breaker	••Fusible		1.25A
17	4	71076067	•Spacer	•Entretoise	1,2	
18	1	74030166	•Thermic reel of paper	•Bobine papier thermique	1,2	57mm



PLATON SERVICE
8 (800) 500-34-47
www.platonservice.com



IC44819,IC44821,IC44825,IC44828,IC44832

CMIS

Illustration Issue Month Year
Schéma Issue Month Year
610892/1 3 12 2009

CMIS

Item Article	Qua Qua	Art.No Réf. article	Description	Description	Info Info	Notes Remarques
1	1	55014109	CMIS Kit - Interface/PC	Kit CMIS Interface/PC	1,2	Complete
2	1	71082628	•Interface PC	•Interface PC	1	
3	1	71082641	•Linking cable	•Câble de liaison	3	
4	1	71082657	•Feed	•Alimentation	3	24VDC
5	1	71082629	•CMIS Software	•Logiciel CMIS	3	CD-Rom
6	1	55014117	CMIS Kit	Kit CMIS	1	Complete
7	1	71082642	•CMIS Interface	•Interface CMIS	1	
8	1	71082643	•Linking cable	•Câble de liaison	3	
9	4	71076067	•Spacer	•Entretoise	3	
10	1	71079000	•Cable fitting	•Presse étoupe	3	
11	1	71079007	•Locking nut	•Contre-écrou	3	



PLATON SERVICE
8 (800) 500-34-47
www.platonservice.com

Numerical index/Numerical index

Art.No/Réf. article	Page/Page	Art.No/Réf. article	Page/Page	Art.No/Réf. article	Page/Page	Art.No/Réf. article	Page/Page
31000670	49	32100113	33	32100491	73	32100993	41
31000670	51	32100114	33	32100492	63	32100993	45
31000670	53	32100115	33	32100492	67	32100993	51
31003509	61	32100121	35	32100492	71	32100993	53
31004657	91	32100122	35	32100492	73	32101098	61
31100796	63	32100123	35	32100493	63	32101099	61
31100796	69	32100124	35	32100493	67	32101117	49
32001249	33	32100125	35	32100493	71	32101117	51
32003191	95	32100144	49	32100493	73	32101117	53
32003191	97	32100144	51	32100494	63	32101161	31
32004371	85	32100144	53	32100494	67	32101164	49
32004371	87	32100145	15	32100494	71	32101164	51
32004371	89	32100145	17	32100494	73	32101164	53
32004371	91	32100147	15	32100495	63	32101293	49
32004371	93	32100147	17	32100495	67	32101296	19
32006090	41	32100148	15	32100495	71	32101296	23
32006090	45	32100148	17	32100495	73	32101307	31
32006860	61	32100148	25	32100601	19	32101362	15
32008043	41	32100187	59	32100601	23	32101500	77
32008043	45	32100191	7	32100602	19	32101500	79
32100021	21	32100192	7	32100602	23	32101501	77
32100021	25	32100193	7	32100603	19	32101501	79
32100021	29	32100194	7	32100603	23	32101502	77
32100021	31	32100195	7	32100604	19	32101502	79
32100026	31	32100301	7	32100604	23	32101644	49
32100029	41	32100301	11	32100605	19	32101644	51
32100029	45	32100302	7	32100605	23	32101644	53
32100038	55	32100302	11	32100651	77	32101721	55
32100038	57	32100303	7	32100651	79	32101721	59
32100038	59	32100303	11	32100663	63	32101722	55
32100038	61	32100304	7	32100663	67	32101722	59
32100041	33	32100304	11	32100663	71	32101723	55
32100042	49	32100305	7	32100663	73	32101723	59
32100042	51	32100305	11	32100668	63	32101724	55
32100042	53	32100416	77	32100668	67	32101724	59
32100061	19	32100416	79	32100668	71	32101725	55
32100061	23	32100452	63	32100668	73	32101725	59
32100061	29	32100452	67	32100669	63	32101823	15
32100062	19	32100452	71	32100669	67	32101823	17
32100062	23	32100452	73	32100669	71	32101942	77
32100062	29	32100453	63	32100669	73	32101942	79
32100063	19	32100453	67	32100671	19	32101946	63
32100063	23	32100453	71	32100671	23	32101946	69
32100063	29	32100453	73	32100672	19	32101946	71
32100064	19	32100454	63	32100672	23	32101946	73
32100064	23	32100454	67	32100673	19	32102191	35
32100064	29	32100454	71	32100673	23	32102341	19
32100065	19	32100454	73	32100674	19	32102341	23
32100065	23	32100457	63	32100674	23	32102342	19
32100065	29	32100457	67	32100675	19	32102342	23
32100071	29	32100457	71	32100675	23	32102343	19
32100072	29	32100457	73	32100683	49	32102343	23
32100073	29	32100458	63	32100684	49	32102344	19
32100074	29	32100458	67	32100695	49	32102344	23
32100075	29	32100458	71	32100696	49	32102345	19
32100081	31	32100458	73	32100696	53	32102345	23
32100082	31	32100460	63	32100845	59	32102402	77
32100083	29	32100460	67	32100964	19	32102402	79
32100084	29	32100460	71	32100964	23	32102681	35
32100085	29	32100460	73	32100984	49	32102682	35
32100100	31	32100464	63	32100984	51	32102683	35
32100105	33	32100464	69	32100984	53	32102684	35
32100106	35	32100464	71	32100988	29	32102685	35
32100107	35	32100491	63	32100988	41	32102773	39
32100111	33	32100491	67	32100988	47	32102774	39
32100112	33	32100491	71	32100990	49	32102775	39

Numerical index/Numerical index

Art.No/Réf. article	Page/Page	Art.No/Réf. article	Page/Page	Art.No/Réf. article	Page/Page	Art.No/Réf. article	Page/Page
32102776	39	32103835	55	32104204	7	32104374	17
32102777	25	32103839	55	32104205	7	32104375	15
32102790	41	32103839	57	32104211	7	32104375	17
32102790	45	32103839	59	32104211	11	32104407	19
32102798	25	32103839	61	32104212	7	32104407	23
32102807	37	32103845	55	32104212	11	32104416	77
32102813	35	32103845	59	32104213	7	32104421	77
32102819*	25	32103861	35	32104213	11	32104422	77
32102821	23	32103862	35	32104214	7	32104431	15
32102822	23	32103863	35	32104214	11	32104433	7
32102823	23	32103864	35	32104215	7	32104433	11
32102824	23	32103865	35	32104215	11	32104437	77
32102825	23	32103879	41	32104221	31	32104437	79
32103386	35	32103879	45	32104222	31	32104438	15
32103493	31	32103879	61	32104223	31	32104465	41
32103494	31	32103911	35	32104224	31	32104465	47
32103494	41	32103912	35	32104225	31	32104465	77
32103494	45	32103913	35	32104241	33	32104465	79
32103504	15	32103914	35	32104242	33	32104471	9
32103504	17	32103915	35	32104243	33	32104471	11
32103504	61	32103931	59	32104243	35	32104472	9
32103508*	61	32103935	41	32104244	33	32104472	11
32103565	19	32103935	45	32104244	35	32104473	9
32103614	55	32103936	59	32104271	77	32104473	11
32103614	57	32103941	59	32104271	79	32104474	9
32103614	59	32103942	59	32104272	77	32104474	11
32103614	61	32103943	55	32104272	79	32104475	7
32103614	77	32103943	59	32104273	77	32104475	11
32103614	79	32103968	41	32104274	77	32104516	61
32103644	19	32103968	45	32104274	79	32104517	43
32103644	23	32103972	41	32104276	77	32104517	47
32103689	99	32103972	45	32104278	7	32104518	43
32103690	99	32103974	41	32104278	11	32104518	47
32103691	99	32103974	45	32104280	7	32104519	43
32103693	99	32103975	41	32104280	11	32104519	47
32103695	99	32103975	45	32104296	15	32104520	43
32103696	99	32104025	61	32104297	77	32104520	47
32103697	99	32104026	61	32104297	79	32104521	77
32103729	33	32104027	61	32104298	77	32104521	79
32103731	31	32104028	61	32104298	79	32104549	35
32103732	31	32104051	61	32104301	77	32104997	83
32103733	31	32104052	61	32104302	77	32105048	67
32103734	31	32104053	61	32104303	77	32105049	67
32103735	31	32104054	61	32104304*	77	32105066	37
32103740	31	32104055	61	32104305*	77	32105068	41
32103761	7	32104100	43	32104324	33	32105146	39
32103761	11	32104104	43	32104340	43	32105159	39
32103762	7	32104104	47	32104341	41	32105181	41
32103762	11	32104112	65	32104341	43	32105181	45
32103763	7	32104112	69	32104347	21	32105228	9
32103763	11	32104112	71	32104347	25	32105228	13
32103764	7	32104112	73	32104347	41	32105230	9
32103764	11	32104155	55	32104347	45	32105230	13
32103765	7	32104155	57	32104363	41	32105231	7
32103765	11	32104155	59	32104363	45	32105231	11
32103786	7	32104156	9	32104364	41	32105250	41
32103786	11	32104156	13	32104364	45	32105250	45
32103787	7	32104158	37	32104365	41	32105251	41
32103787	11	32104163	55	32104365	45	32105251	45
32103825	71	32104163	59	32104371	15	32105253	67
32103825	73	32104168	37	32104371	17	32105253	73
32103828	33	32104190	9	32104372	15	32105254	67
32103829	33	32104190	13	32104372	17	32105254	73
32103830	55	32104201	7	32104373	15	32105342	37
32103833	55	32104202	7	32104373	17	32105709	9
32103833	59	32104203	7	32104374	15	32105709	13

Numerical index/Numerical index

Art.No/Réf. article	Page/Page	Art.No/Réf. article	Page/Page	Art.No/Réf. article	Page/Page	Art.No/Réf. article	Page/Page
32105724*	61	32106321	27	55012233	31	55013858	37
32105763*	31	32106322	27	55012234	31	55014109	101
32105764*	31	32106323	27	55012235	31	55014117	101
32105829	51	32106324	27	55012241	31	55014193	35
32105829	53	32106325	27	55012242	31	55014195	45
32105881	51	34005604	83	55012243	31	55014195	53
32105881	53	55007112	49	55012244	31	55014199	41
32105882	51	55007112	51	55012245	31	55014199	45
32105883	51	55007112	53	55012310	15	55014200	15
32105883	53	55007133	35	55012323	83	55014321	93
32105884	51	55007139	41	55012324	95	55014341	91
32105884	53	55007139	45	55012325	85	55014342	91
32105886	51	55007166	63	55012326	89	55014467	37
32105886	53	55007166	67	55012373	97	55014577	17
32105906	7	55007976	35	55012390	41	55014804*	25
32105906	11	55007992	35	55012390	45	56000129	39
32105939	57	55008021	63	55012390	49	56000139	81
32105941	57	55008021	67	55012401	19	56000193	9
32105942	57	55008022	63	55012401	23	56000193	13
32105943	57	55008022	67	55012402	19	56000207	45
32105944	57	55008182	63	55012402	23	56000212	81
32105945	57	55008182	67	55012403	19	56000219	45
32105958	57	55008183	63	55012403	23	56000243	45
32105996	57	55008183	67	55012404	19	56000243	51
32105997	57	55008274	35	55012404	23	56000295	91
32106001	45	55008304	35	55012405	19	56000302	35
32106008	53	55008982	77	55012405	23	56000303	35
32106046	51	55008982	79	55012466	9	56000341*	21
32106046	53	55009926	71	55012466	13	56000341*	25
32106047	51	55009926	73	55012490	15	56000341*	29
32106051	11	55009979	71	55012954	21	64000501	19
32106052	11	55009979	73	55012954	25	64000502	19
32106053	11	55010056	71	55012955	21	64000503	19
32106054	11	55010056	73	55012955	25	64000504	19
32106055	11	55011050	71	55012956	21	64000505	19
32106061	11	55011050	73	55012956	25	71014090	15
32106062	11	55011053	71	55012957	21	71014090	17
32106063	11	55011053	73	55012957	25	71014090	25
32106064	11	55011308	39	55012958	21	71014090	49
32106065	11	55011913	99	55012958	25	71014106	59
32106108	71	55011914	99	55013019	9	71020054	15
32106108	73	55012011	29	55013019	13	71020054	17
32106108	89	55012012	29	55013253	87	71020060	25
32106108	91	55012013	29	55013319	63	71020091	9
32106109	71	55012014	29	55013319	69	71020091	13
32106109	75	55012015	29	55013319	85	71021091	9
32106109	89	55012021	29	55013319	87	71021091	13
32106109	91	55012022	29	55013489	7	71021166	83
32106109	93	55012023	29	55013490	7	71021179	83
32106120	67	55012024	29	55013491	7	71031078	77
32106121	67	55012025	29	55013492	7	71031078	79
32106121	73	55012031	29	55013493	7	71040070	91
32106121	93	55012032	29	55013494	9	71041096	39
32106123	73	55012033	29	55013494	11	71050126	95
32106123	93	55012034	29	55013495	9	71050126	97
32106128	93	55012035	29	55013495	11	71050182	91
32106141	79	55012041	29	55013496	9	71050182	97
32106142	79	55012042	29	55013496	11	71050188	19
32106143	79	55012043	29	55013497	9	71050188	23
32106144	79	55012044	29	55013497	11	71050189	23
32106145	79	55012045	29	55013498	7	71050190	83
32106167	17	55012134	35	55013498	11	71050199	43
32106176	77	55012183*	25	55013503	37	71050199	47
32106176	79	55012221	41	55013731	9	71050227	43
32106196	17	55012231	31	55013731	13	71050227	47
32106287*	25	55012232	31	55013784	41	71050227	49

Numerical index/Numerical index

Art.No/Réf. article	Page/Page	Art.No/Réf. article	Page/Page	Art.No/Réf. article	Page/Page	Art.No/Réf. article	Page/Page
71050227	51	71074260	87	71082500	83	72051217	67
71050227	53	71075018	63	71082506	83	72051218	63
71050247	43	71075018	67	71082628	101	72051218	67
71050247	47	71075018	71	71082629	101	72051219	63
71050247	49	71075018	73	71082641	101	72051219	67
71050247	51	71075037	83	71082642	101	72051220	63
71050247	53	71075037	85	71082643	101	72051221	63
71052106	85	71075037	87	71082657	101	72051221	67
71052106	89	71075037	89	71085021	99	72051223	63
71052107	85	71075037	91	71088033	89	72051223	67
71052112	85	71075037	93	71088033	93	72051223	71
71052112	89	71075037	95	71088036	71	72051223	73
71052112	91	71075037	97	71088036	73	72051224	63
71052112	93	71075058	83	71088036	89	72051224	67
71052120	89	71075058	85	71088036	91	72051224	71
71052121	83	71075058	87	71088036	93	72051224	73
71052121	91	71075058	89	71088038	87	72051225	63
71052129	85	71075058	91	71088045	91	72051225	67
71052129	87	71075058	93	71088049	69	72051225	71
71052129	91	71075058	95	71088049	87	72051225	73
71052129	93	71075058	97	71088050	91	72051226	63
71052130	85	71075064	95	72010081	63	72051226	67
71052130	87	71075064	97	72010081	69	72051226	71
71052130	91	71075067	85	72010102	71	72051226	73
71052130	93	71075067	87	72010102	73	72051227	63
71052133	91	71075067	89	72011120	67	72051227	67
71054127	93	71075067	91	72011143	63	72051227	71
71054130	81	71075067	93	72011143	67	72051227	73
71054130	93	71075068	91	72011143	71	72051252	67
71054132	81	71075068	93	72011143	73	72051252	73
71054135	9	71075078	95	72011144	63	72051253	67
71054135	13	71075078	97	72011144	67	72051253	73
71054136	9	71075079	95	72011144	71	72051254	67
71054136	13	71075079	97	72011144	73	72051254	73
71054137	9	71076053	37	72011145	63	72052063	63
71054137	13	71076067	99	72011145	67	72052063	69
71054138	9	71076067	101	72011145	71	72052063	71
71054138	13	71077037	55	72011145	73	72052063	73
71054151	19	71077037	57	72011148	63	72052102	77
71054151	23	71077037	59	72011148	69	72052102	79
71054168	9	71078020	19	72011148	71	72052103	77
71054168	13	71078020	23	72011148	73	72052103	79
71070151	55	71079000	101	72046136	61	72060062	61
71070151	57	71079007	99	72046144	15	72060062	85
71070151	59	71079007	101	72046144	17	72060062	87
71070152	55	71079012	9	72046158	21	72060062	89
71070152	57	71079012	13	72046158	25	72060075	71
71070152	59	71079034	9	72046158	29	72060075	73
71070153	55	71079034	13	72046162	25	72061011	77
71070153	57	71079035	9	72051202	63	72061011	79
71070153	59	71079035	13	72051202	67	73010066	31
71070154	55	71079045	99	72051209	63	73010077	77
71070154	57	71079078	9	72051209	71	73010077	79
71070154	59	71079078	13	72051212	63	73010080	21
71070155	55	71081008	83	72051212	67	73010080	25
71070155	57	71081013	85	72051212	71	73010080	33
71070155	59	71081013	87	72051212	73	73011006	41
71074120	85	71081013	89	72051213	63	73011006	45
71074120	87	71081013	91	72051213	67	73011075	41
71074120	89	71081013	93	72051214	63	73011075	45
71074123	85	71081022	83	72051214	67	73011109	43
71074123	87	71082035	85	72051215	63	73011109	47
71074123	89	71082145	83	72051215	67	73016165	63
71074255	71	71082145	97	72051216	63	73016165	67
71074255	73	71082200	81	72051216	67	73016165	71
71074259	87	71082464	83	72051217	63	73016165	73

Numerical index/Numerical index

Art.No/Réf. article	Page/Page	Art.No/Réf. article	Page/Page	Art.No/Réf. article	Page/Page	Art.No/Réf. article	Page/Page
73016166	9	74026060	45	74033202	23	77010252	23
73016166	13	74026062	77	74033202020	57	77010265	35
73016168	63	74026062	79	74033203	37	77010265	77
73016168	69	74030059	83	74033204	7	77010265	79
73016168	71	74030092	9	74033204	11	77010278	31
73016168	73	74030092	11	74033205	77	77010279	31
73016189	21	74030103	9	74033205010	79	77010280	31
73016189	25	74030103	11	74033253	49	77010281	31
73016189	29	74030141	9	74033253	59	77010282	31
73016189	31	74030141	11	74033253020	51	77010283	31
73016210010	63	74030166	99	74033253020	53	77010284	31
73016210010	67	74030178	7	74033254010	51	77010285	31
73016210010	71	74030178	11	74033254010	53	77010286	35
73016210010	73	74031039	15	74033606	31	77010286	77
73020398	77	74031039	17	74033613010	53	77010286	79
73020398	79	74032394	81	74036006	55	77010300	19
73020517	77	74033001	55	74036006	59	77010308	23
73020517	79	74033001	59	74036006	63		
73023077	49	74033001010	51	74036006	69		
73026045	53	74033001010	53	74036006	71		
74010001	15	74033002	59	74036006	73		
74010001	17	74033002	61	74036006020	57		
74010035	31	74033002	77	74036007	43		
74011002	63	74033002020	79	74036007	47		
74011002	67	74033003	21	74036011	25		
74011002	71	74033003	25	74036102	77		
74011002	73	74033003	29	74036102010	51		
74011205	33	74033003	37	74036102010	53		
74020030	21	74033003	49	74036102010	79		
74020030	25	74033003	55	74036301	49		
74020030	29	74033003	59	74036403	15		
74020054	19	74033003	61	74036403	17		
74020054	23	74033003020	53	74036602	31		
74020054	55	74033003020	57	74036801	41		
74020054	59	74033007	41	74036801	45		
74020054	61	74033007	45	74036801	47		
74020054020	57	74033007	47	74036801	49		
74020057	49	74033007	49	74036801010	51		
74020080	25	74033007	59	74036801010	53		
74020187010	51	74033007	61	74036803	31		
74020187010	53	74033007010	51	74036806	15		
74020227	49	74033007010	53	74036806	17		
74020227	77	74033015	7	74036806	25		
74020227	79	74033015	11	75011084	9		
74020227020	51	74033015	43	75011084	11		
74020227020	53	74033015	47	75011085	9		
74020234	19	74033021	49	75011103	9		
74020234	23	74033022	77	75011103	13		
74020260010	31	74033022010	79	75011110	11		
74020279010	77	74033042010	33	75011111	13		
74020279010	79	74033042010	51	75015105	9		
74020280010	43	74033101	15	75015105	13		
74020280010	47	74033101	17	75015195	25		
74020281010	35	74033101	31	75015204	55		
74020283010	59	74033101	49	75015204	59		
74021031	7	74033101	63	75015205	55		
74021031	11	74033101	67	75015205	59		
74023039	49	74033101	71	75015206	61		
74023039	51	74033101	73	75015207	61		
74023039	53	74033101020	51	75015208	61		
74023092	99	74033101020	53	75015235	57		
74023105	19	74033102	7	75015236	57		
74023105	23	74033102	11	77010002100	21		
74026054	41	74033202	15	77010002100	25		
74026054	45	74033202	17	77010002100	29		
74026060	41	74033202	19	77010219	19		



PLATONSERVICE

8 (800) 500-34-47

www.platonservice.com



PLATON SERVICE

8 (800) 500-34-47

www.platonservice.com



Thinking of you
Electrolux

www.electrolux.com/laundrysystems

Share more of our thinking at www.electrolux.com